

Date: _____

Customer Name: _____

Plant Location: _____

Vessel Name: _____

Unit Name: _____

Unit Number:

Vessel Tag #: _____

Process: _____

Operating Press.: _____

Operating Temp.: _____

Manufacturer: _____

Model No.: _____

Specific Gravity: _____

Body Style.: Sealed Flanged Material: _____

Connections Style: Side/Bottom Side/Side

Connections Size: _____

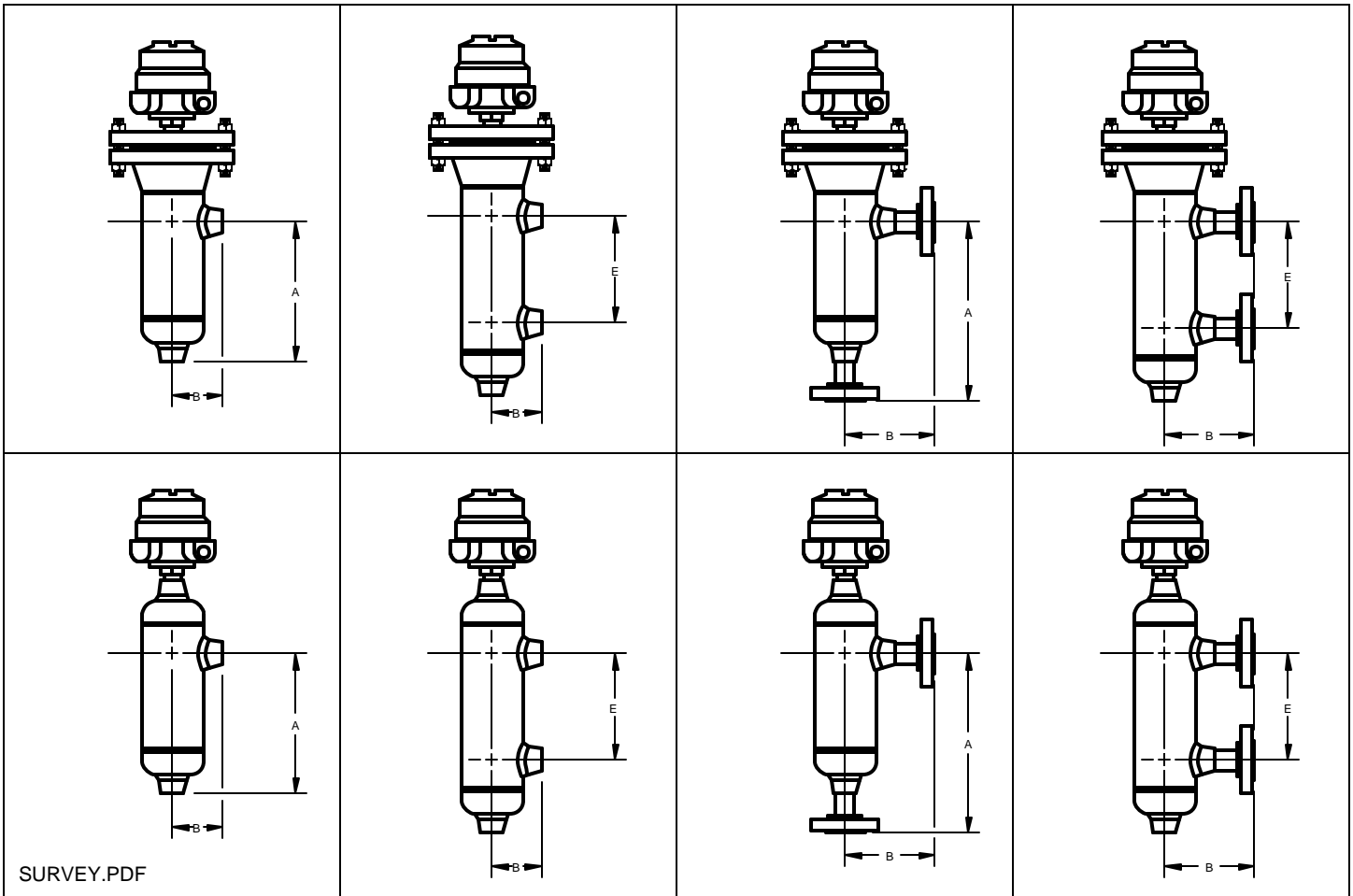
Mounting Dim's: A: _____ B: _____ E: _____

Enclosure.: NEMA 4X NEMA 7 GRP. B: _____

Switch Qty: _____ SPDT DPDT

Switch Type: Dry Contact Mercury Herm. Sealed Dry Contact

Notes: _____



SURVEY.PDF