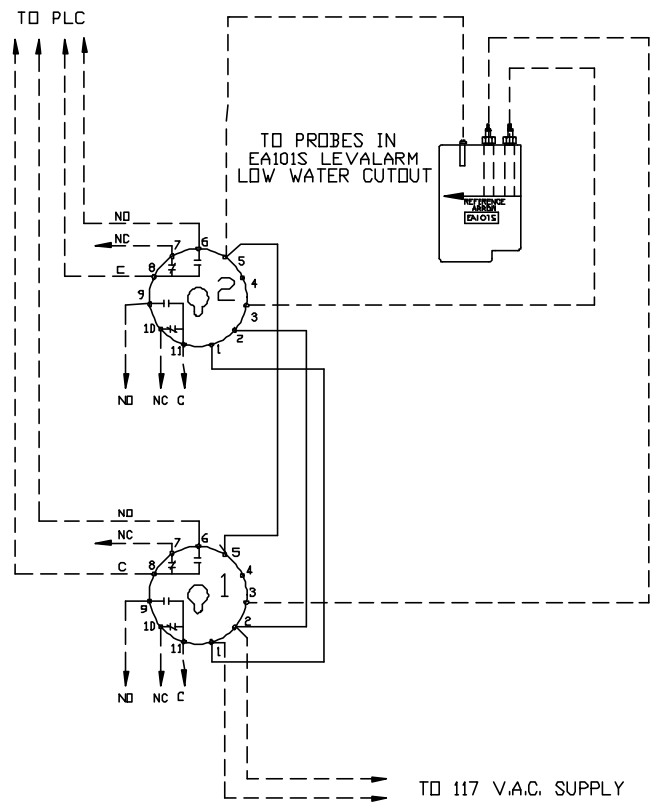


INTERWIRING DIAGRAM



CONTROL UNIT ASSEMBLY

BILL OF MATERIAL				
ITEM	QTY.	PART NO.	DESCRIPTION	DWG. NO.
A	2	ECID-23R	RELAY	
B	2	ECID-49	SOCKET	
C	1	RXSM0608	PANEL	RL 7040-A
D	1	RXJF060804N4	ENCLOSURE NEMA 7	
E	1	X172976	10-32 GROUND SCREW	
F	1	EA15-8	NAMEPLATE (NOT SHOWN)	A12869

- NOTE:
1. CONTACT RATING: 5A @ 120, 240 VAC
 2. USE 18 GA. WIRE FOR FIELD WIRING
 3. POWER CONSUMPTION: 8.8 VA WITH BOTH RELAYS ENERGIZED
 4. DISTANCE BETWEEN PROBES AND CONTROL UNIT: 600 FEET MAX

REV	DESCRIPTION	DATE	SIG

UNLESS OTHERWISE NOTED:
 TOLERANCES (?)
 DECIMAL & STOCK (.002)
 FIN. FRACTIONAL (<UP TO 1', NOT INCL.) (.010)
 FIN. FRACTIONAL (<1" INCL., UP TO 3") 1/64
 FIN. FRACTIONAL (<3" INCL., UP TO 6") 1/32
 FIN. FRACTIONAL (<6" INCL., UP TO 12") 1/16
 FIN. FRACTIONAL (<12" & OVER) 1/8
 ANGLES 1?
 MACHINE FINISH- 125√ OR SMOOTHER
 REMOVE BURRS AND SHARP EDGES

THE CLARK-RELIANCE CORP.
 STRONGSVILLE, OHIO

R270L RELAY

MATERIAL	
DRAWN ST	SCALE NONE
CHKD.	DATE 5-22-96
DRAWING NO.	REV.
RL1070-A	