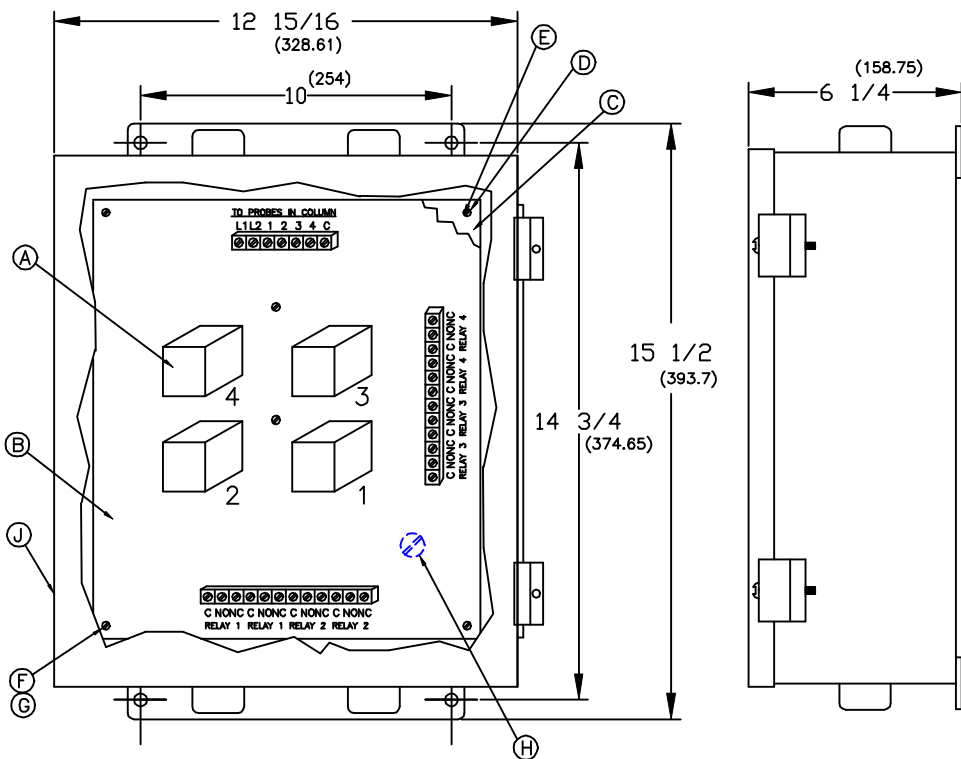


ASSEMBLY VIEW



NEMA 4 ENCLOSURE SHOWN
(FOR OTHER AVAILABLE
ENCLOSURES
SEE NOTE 2 BELOW)

BILL OF MATERIAL

ITEM	QTY.	PART NO.	DESCRIPTION	MATERIAL	DWG. NO.
A	NOTE 1	ECID-23R	RELAY		
B	1	PC-41	PRINTED CIRCUIT BOARD		RL7000-AB
C	1	PC-40	PANEL	18 GA. S.S.	RL7001-A
D	6	PI-13	SPACER	STEATITE L5	PS7014-A
E	6	X173595	STUD (10-32 X 1 1/2) CONT. THRD.	STN. STL.	
F	6	X171260	HEX NUT 10-32	STN. STL.	
G	6	X174116	#10 INT. TOOTH LOCK WASHER	STN. STL.	
H	1	X172976	GROUND SCREW		
J	1	NOTE 2	ENCLOSURE		

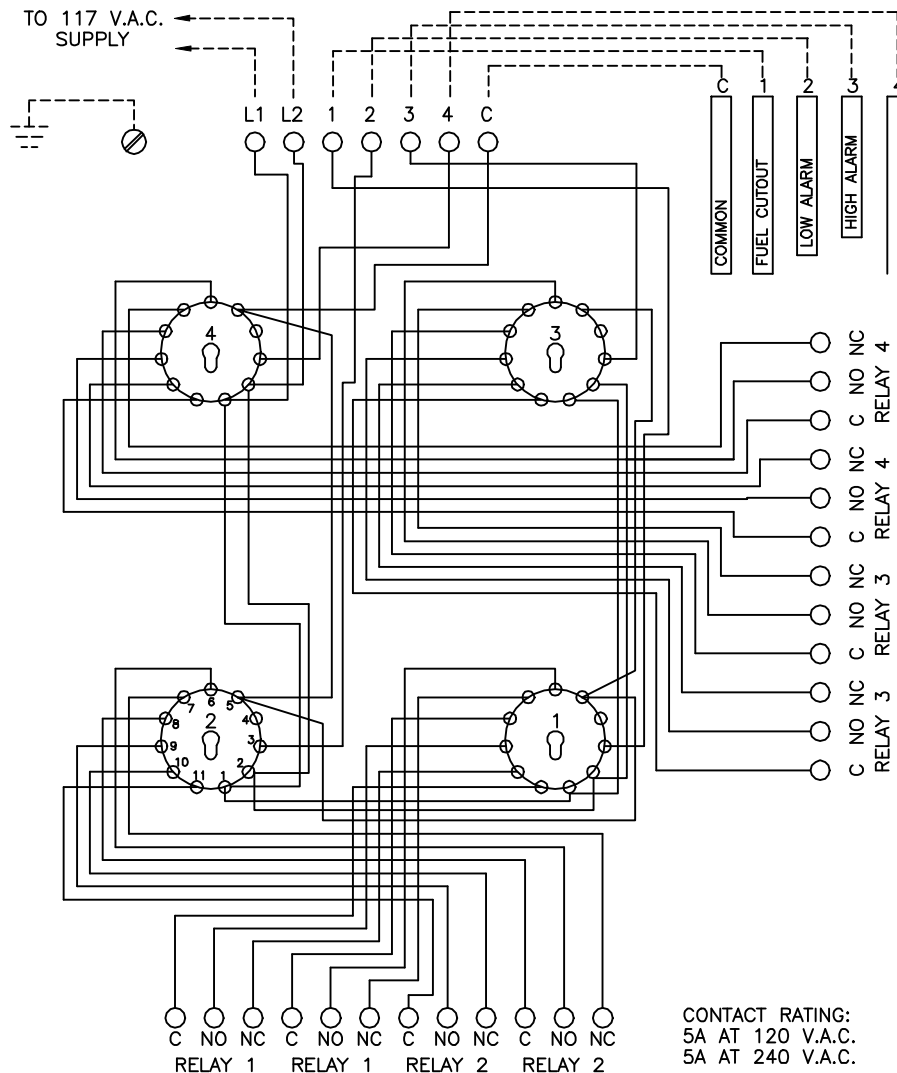
NOTE:

- 1 - FOR R310L & R340L USE 3 RELAYS
FOR R410L & R440L USE 4 RELAYS
- 2 - FOR NEMA 1 USE P/N RE4-1 REF. DWG. MS1021-A
FOR NEMA 4 USE P/N RE4-4 REF. DWG. MS1001-A
FOR NEMA 4X STNLS. STL. USE P/N RA1412CHNFSS

REV	DESCRIPTION	DATE	SIG
3	REC'D 23R RELAY WAS REC'D 23	11-11-95	FAS
2	REDRAWN ON CAD - NO CHANGES	3-8-94	ST
	DESCRIPTION	DATE	SIG
	REVISIONS		

DIMENSIONS IN () MILLIMETERS
DIMENSIONS IN INCHES

UNLESS OTHERWISE NOTED:
TOLERANCES (±)
DECIMAL & STOCK (0.002)
FIN. FRACTIONAL (UP TO 1", NOT INCL.) (0.010)
FIN. FRACTIONAL (1" INCL., UP TO 2") 1/64
FIN. FRACTIONAL (2" INCL., UP TO 4") 1/32
FIN. FRACTIONAL (4" INCL., UP TO 12") 1/16
FIN. FRACTIONAL (12" & OVER) 1/8
ANGLES
MACHINE FINISH- 125√ OR SMOOTHER
REMOVE BURRS AND SHARP EDGES



INTERWIRING DIAGRAM

CONTACT RATING:
5A AT 120 V.A.C.
5A AT 240 V.A.C.

THE CLARK-RELIANCE CORP.
STRONGSVILLE, OHIO
R310L, R340L, R410L, OR R440L
RELAY WIRING

MATERIAL		DRAWING NO.		REV.
DRAWN	ST	SCALE	NONE	
CHKD.		DATE	3-8-94	
			RL1000-AB	3