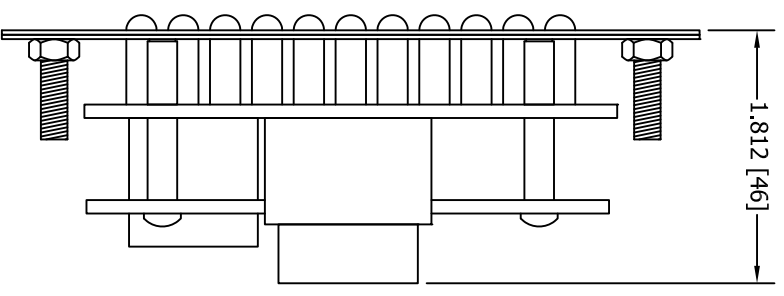
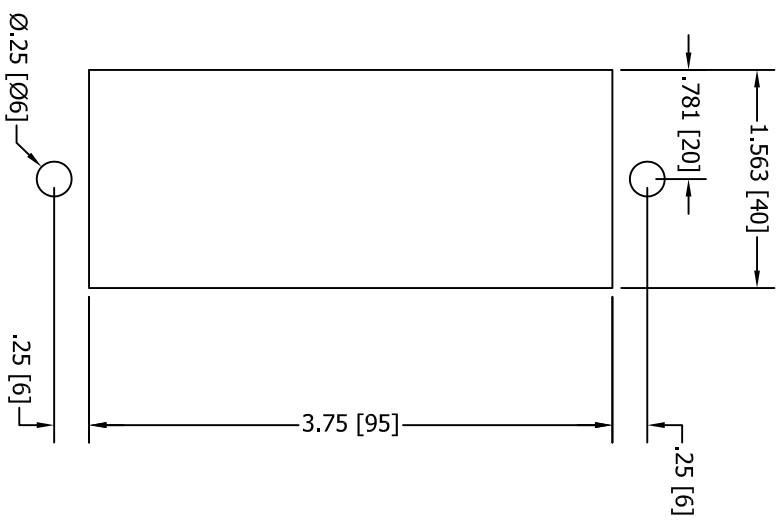


FRONT VIEW



SIDE VIEW



PANEL CUTOUT

[] DIMENSIONS IN MM
 REFERENCE DRAWING SL17000 FOR FIELD WIRING

MANUFACTURED BY
Clark-Reliance®
 16633 FOLTZ PARKWAY
 STRONGSVILLE, OH 44149 USA
 PH: 440-572-1500
 WEB: www.clarkreliance.com

CLARK-RELIANCE®
 10 CHANNEL SMALL LED INDICATOR
 ASSEMBLY - SMARTLEVEL

PART NUMBER: RSL17		REV:
TOLERANCE CLASS (PER PES-004): NA		0
MATERIAL: NA		
REVISION: DRAWING CREATED		
DRAWN: ER	DRAWING NO.:	
CHECKED: JWK	SL11000	
DATE: 11/7/13		