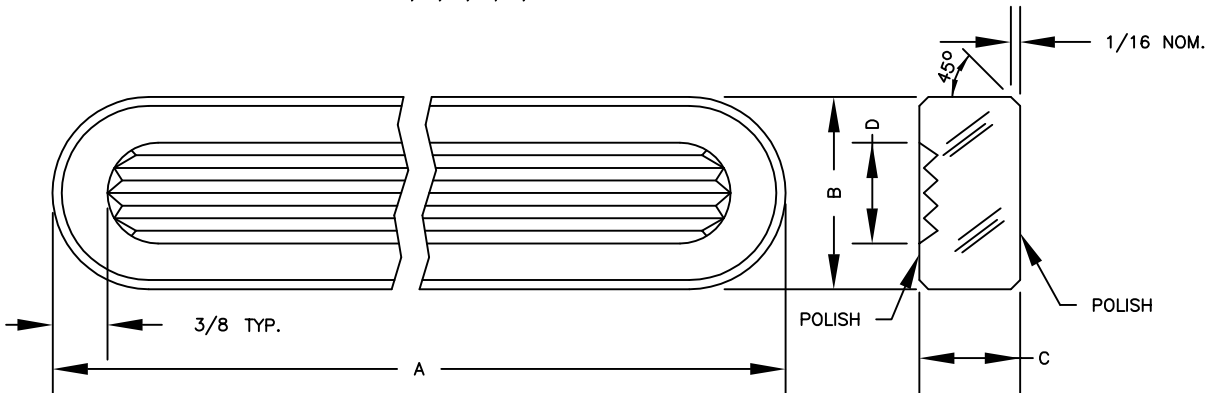


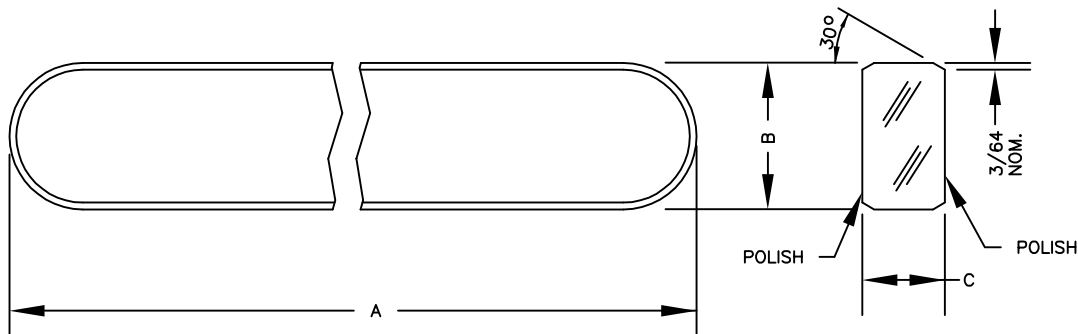
TRANSPARENT GLASS (TYPE A)
FOR SERIES 10,20,30,32,40,&50

DIMENSIONS		
	INCHES	M.M.
B	1 5/16	34
C	11/16	18
D	5/8	16
SIZE	DIM. A	
1	4 1/2	115
2	5 1/2	140
3	6 1/2	165
4	7 1/2	190
5	8 5/8	220
6	9 7/8	250
7	11	280
8	12 5/8	320
9	13 3/8	340



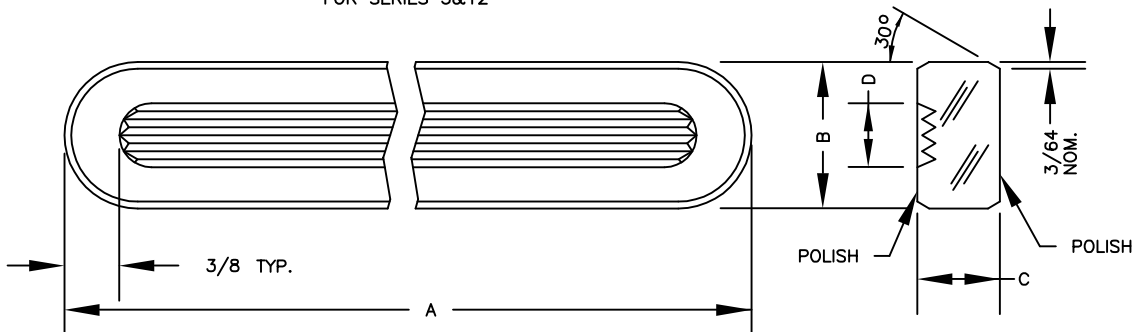
REFLEX GLASS (TYPE B)
FOR SERIES 10,20,30,&32

TOLERANCES FOR DIM.'S ABOVE		
DIM.	INCHES	MM
A	+0 -1/32	+0 -1
B	+0 -1/32	+0 -1
C	+0 -1/32	+0 -1



TRANSPARENT GLASS (TYPE DA)
FOR SERIES 5&12

DIMENSIONS		
	INCHES	M.M.
B	1	25
C	9/16	15
D	7/16	12
SIZE	DIM. A	
8	8	203
9	9	229
10	10	254
11	11	279
12	12	305
13	13	330
14	14	356
15	15	381
16	16	406
17	17	432
18	18	457
19	19	483
20	20	508



REFLEX GLASS (TYPE DB)
FOR SERIES 5&12

TOLERANCES FOR SERIES 5 DIM.		
DIM.	INCHES	M.M.
A	+0 -1/32	+0 -1
B	+0 -1/32	+0 -1/2
C	+0 -1/32	+0 -1

NOTES:

1. THE FRONT AND BACK FACES OF THE GLASS SHALL BE PLANE WITHIN 0.005 INCH.
2. MATERIAL FOR ALL GLASSES TO BE TEMPERED BORSILICATE GLASS.

SYM	REVISION	DATE	APP
3	REDRAWN & UPDATED	3/19/02	
2	REDRAWN & UPDATED	7/23/92	
1	ADDED RR-2755	5/27/75	

GLASS DIMENSIONS
(FOR REFERENCE ONLY)

JERGUSON
GAGE & VALVE CO.
STRONGSVILLE, OHIO, U.S.A.
SCALE NONE DATE 3/19/02

DRAWN CMS	FILE NO. 2-1675
CHECKED CEL	DRAWING NO.
APPROVED	GD-1089
	REV. 3