

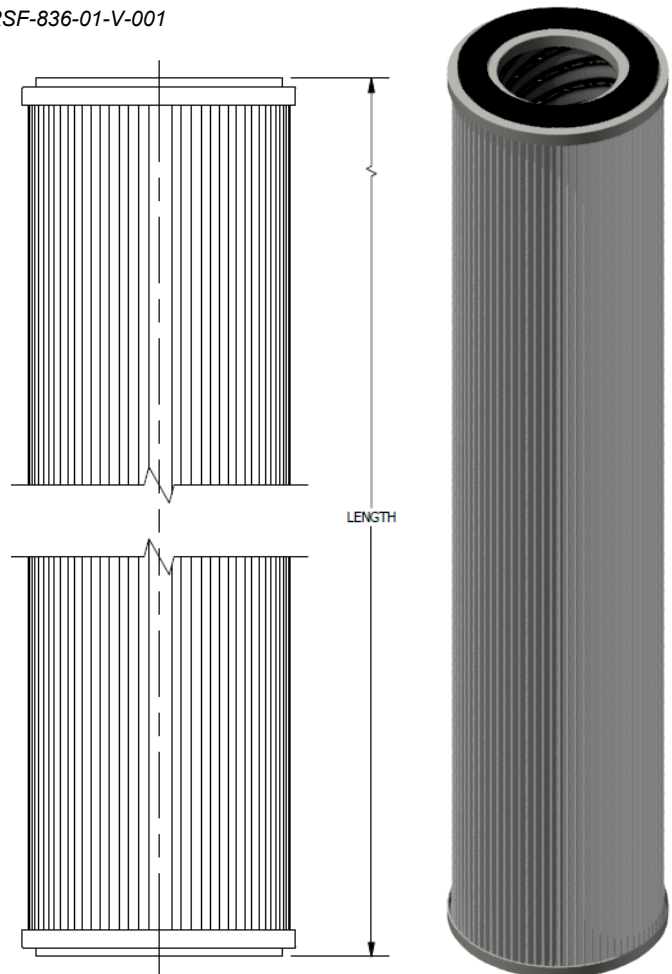
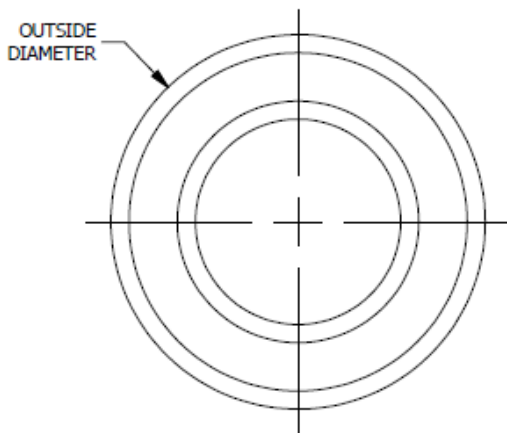
Absolute particle retention delivers the lowest single pass particle counts, differential pressure, and reduced flush times. Premium pleated microglass media maximizes surface area for greater dirt-holding capacity, longer service life, and reduced cost of ownership.

CRSF	8	36	-	01	-	V	*
Media Type Pleated Microglass	Outside Diameter 8 = 7.750"	Nominal Length 36 = 36.00"		Micron Rating 01 = 1 µm 03 = 3 µm		Seal Material V = FKM	Cap Configuration __ = DOE
Cap & Core Material Carbon Steel							

* Filters using the special field will include a three digit code. *Example CRSF-836-01-V-001*

Recommended Operating Conditions

Flow Direction	Outside → In
Change Out Differential	15 PSID
Maximum Differential	75 PSID
Maximum Temperature	275° F



For more information, email PurityProducts@clark-reliance.com

ANDERSON®
Separator

Clark-Reliance
FILTER ELEMENTS®

Enervac™
INTERNATIONAL ULC

OIL
FILTRATION
SYSTEMS®

NFS
National
Filtration
Systems®

HYCOA