

MATERIAL: SEE B/M
 DRAWN: TFK
 SCALE: NONE
 CHECKED: DEP
 DATE: 09/15/95

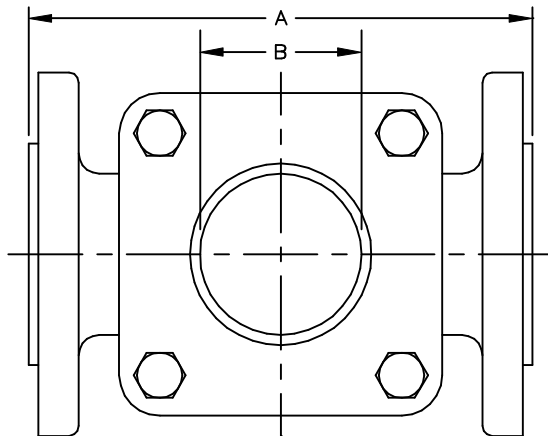


SIGHT FLOW INDICATOR
 STYLES F-910HPA-300
 F-608HPA-300, F-960HPA-300

Section: T400
 Bulletin: T400.04
 Date: 12/01/00
 Supersedes: 11/10/98

300 ASME CLASS MODELS

FILE NO.: T400-04.DWG



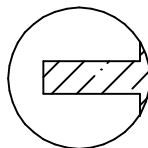
PLAIN

STYLE F-910HPA-300 (NF)

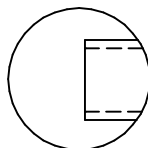
INDICATOR OPTIONS



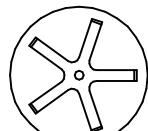
FLAPPER
 STYLE F-910HPA-300



PTFE FLUTTER
 STYLE F-910HPA-FLTR-300



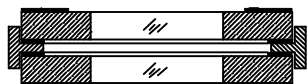
DRIP TUBE
 STYLE F-608HPA-300



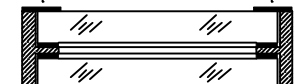
ROTOR
 STYLE F-960HPA-300

OPTIONS

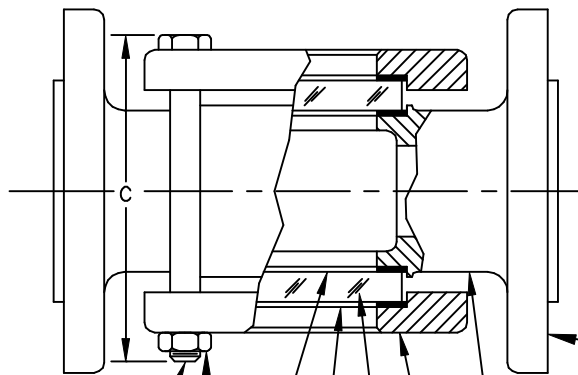
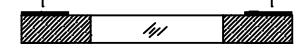
DUAL UNIGLAS WINDOWS



FULL VIEW DUAL WINDOWS



UNIGLAS WINDOW



FLANGE CONNECTION PER
 ASME B16.5 CL300 RF

THIS DRAWING AND ALL INFORMATION ON IT IS THE PROPERTY OF JACOBY-TARBOX, DIVISION OF THE CLARK-RELIANCE CORPORATION. IT IS CONFIDENTIAL AND IS GIVEN TO YOU FOR A LIMITED PURPOSE AND MUST BE RETURNED UPON REQUEST. NEITHER THIS DRAWING NOR ANY PART OF IT NOR ANY INFORMATION CONCERNING IT MAY BE COPIED, EXHIBITED OR FURNISHED TO OTHERS NOR MAY PHOTOGRAPHS BE TAKEN OF ANY ARTICLE FABRICATED OR ASSEMBLED FROM THIS DRAWING WITHOUT CONSENT OF THE CLARK-RELIANCE CORPORATION.

PARTS LIST

PIECE NO.	NAME OF PART	QUAN.	MATERIAL	COMMENTS
1	BODY	1	SEE BELOW	
2	RETAINER	2	STEEL	
3	CUSHION	2	FIBER	
4	SEAL GASKET	2		
5	WINDOW	2	BOROSILICATE	
6	BOLT		STEEL	
7	NUT		STEEL	
8	INDICATOR			

ASME CLASS P/T RATINGS

TEMP F	300 CLASS	
	STEEL	316 SS
-20 TO 100	740	720
150	705	670
200	675	620
250	665	590
300	655	560
350	645	535
400	635	515
450	615	495
500	600	480

STANDARD DESIGN MATERIALS:

BODY: ASTM A216-WCB (CARBON STEEL)

ASTM A351-CF8M (316 SS)

RETAINER: ASTM A516 GR. 70 (STEEL)

FASTENERS: A354-BD/A194-2H (STEEL)

INDICATOR: 316 SS FLAPPER & DRIP TUBE

INDICATOR: PTFE ROTOR & FLUTTER

304/316 SS TRIM AVAILABLE

OPTIONAL ALLOYS FURNISHED UPON REQUEST

PIPE SIZE	DIMENSIONS						APPROX. WGT.		# BOLTS
	A		B		C		LBS.	KGS.	
1/2&3/4	5-7/8	149	1	25	5-1/4	133	9-1/2	4.3	4
1	6-7/8	175	1-1/4	32	5-1/4	133	17	7.7	4
1-1/2	7-1/2	191	2	51	7-3/8	187	24	10.9	4
2	8-5/8	219	2	51	7-5/8	194	35	15.9	4
2-1/2&3	11-3/8	289	3-3/16	81	10-5/8	270	64	29	4
4	13-1/4	337	4-1/4	108	13	330	135	61.3	4
6	21-3/8	543	5-1/2	140	17-1/8	435	250	113.4	12
8	23	584	5-1/2	140	19	483	335	152	12