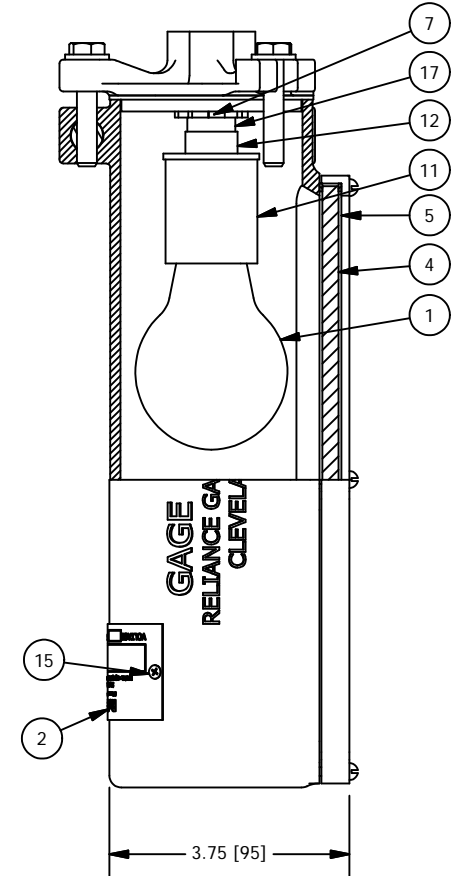
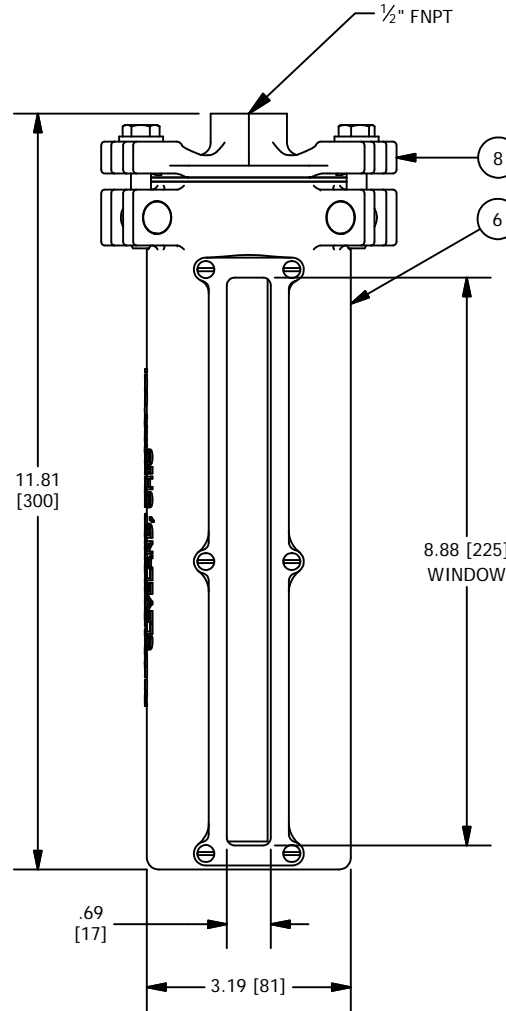
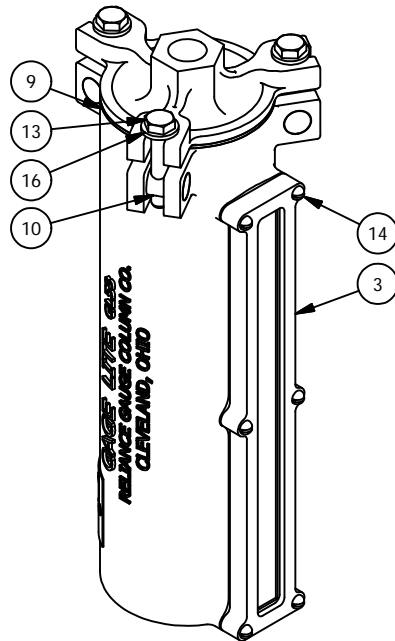


BILL OF MATERIAL

NO.	QTY.	PART NO.	DESCRIPTION	MATERIAL	DWG.
1	1	RE32 24	LAMP	LED, 9 WATTS 120V	
2	1	RFG40 8	NAMEPLATE	ALUMINUM	MS-7314-A
3	1	RGL50 3	FRAME	ALUMINUM (319)	A-3583
4	1	RGL50 5	GLASS PLATE	GLASS	
5	2	RGL50 6	CUSHION	INORGANIC FIBER	A-3589-2
6	1	RGL53 1	BODY	ALUMINUM (319)	B-5374
7	1	RGL53 10	LOCKNUT	GALVANIZED STEEL	
8	1	RGL53 2	CAP	ALUMINUM (319)	B-5375
9	1	RGL53 3	GASKET	GARLOCK 3200	
10	3	RGL53 4	SWIVEL PIN	BRASS	
11	1	RGL53 7R	SOCKET	CERAMIC	
12	1	RV7 6	NIPPLE (CLOSE)	CARBON STEEL	
13	3	X172200	HEX HEAD CAP SCREW	STEEL (ZINC PLATED)	
14	6	X172850	ROUND HEAD MACHINE SCREW	BRASS	
15	2	X173200	PAN HEAD MACHINE SCREW	CARBON STEEL	
16	3	X174140	FLAT WASHER	STEEL (ZINC PLATED)	
17	1	X286168	BUSHING	CARBON STEEL	

NOTES:

1. 9 W, 120 VAC A19 LED BULB
2. POWER: 120 VAC
3. POWER CONSUMPTION: 0.075 AMPS



14	6/3/2016	CHANGED ITEM 1 DESC FROM "FROSTED GLASS" TO "LED, 9 WATTS 120V", CHANGED POWER CONSUMPTION TO .075 AMPS	FSM
REV	DATE	REVISION	BY

MANUFACTURED BY
Clark-Reliance®
 16633 FOLTZ PARKWAY
 STRONGSVILLE, OH 44149 USA
 (440) 572-1500 | www.clarkreliance.com
 © Clark-Reliance® Corporation. All Rights Reserved.

CLARK-RELIANCE®

GL53 GAGE LITE ASSEMBLY

PART NUMBER: RGL53	
TOLERANCE CLASS (PER PES-004): B	
MATERIAL:	
REVISION: 14 PER CDC 16-234/(FSM)	
DRAWN: KAT	DRAWING NO.:
CHECKED: MK	B-5331
DATE: 9/3/2014	14