

THIS DRAWING AND ALL INFORMATION ON IT IS THE PROPERTY OF THE CLARK-RELIANCE CORPORATION. IT IS CONFIDENTIAL AND IS GIVEN TO YOU FOR A LIMITED PURPOSE AND MUST BE RETURNED UPON REQUEST. NEITHER THIS DRAWING NOR ANY PART OF IT NOR ANY INFORMATION CONCERNING IT MAY BE COPIED, EXHIBITED OR FURNISHED TO OTHERS NOR MAY PHOTOGRAPHS BE TAKEN OF ANY ARTICLE FABRICATED OR ASSEMBLED FROM THIS DRAWING WITHOUT CONSENT OF THE CLARK-RELIANCE CORPORATION.

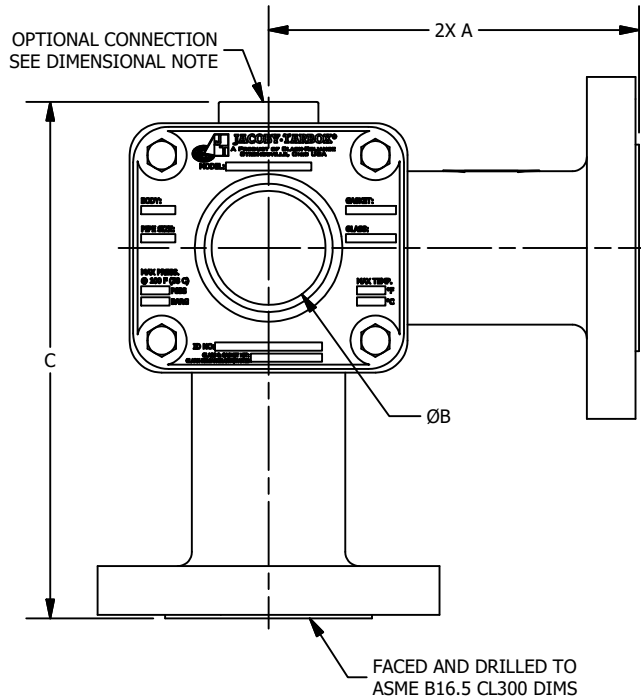


JACOBY-TARBOX®
A Product of the Clark-Reliance Corporation

16633 FOLTZ PARKWAY
STRONGSVILLE, OH 44149 USA
PH: +1 440-572-1500
www.clark-reliance.com

SIGHT FLOW INDICATOR
MODEL 90-LR-300, 90-LR-D-300 PFA LINED
ASME CLASS 300 SERVICE

SECTION: **T400**
BULLETIN: **T400.407**
DATE: **3/5/2020**
SUPERSEDES: **8/16/2018**
FILE NO.: **T400-407.DWG**
DRAWN: **MWS** | CHECKED: **DEP**
SCALE: **NONE**

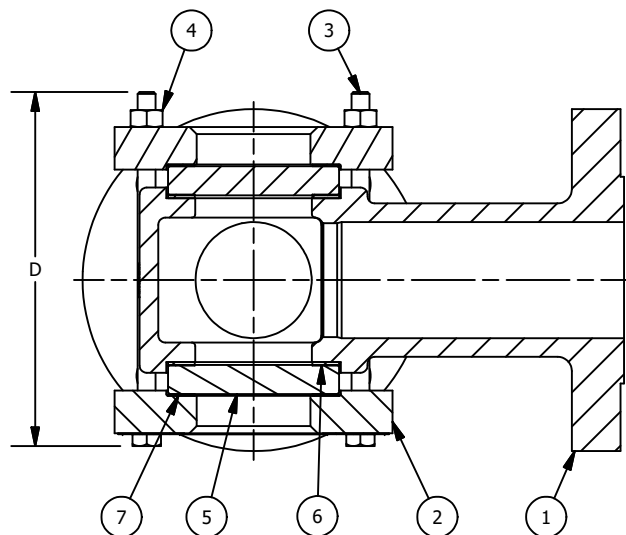


PARTS LIST			
PIECE NO.	PART NAME	QTY.	STANDARD DESIGN MATERIALS
1	BODY (SEE NOTE (1))	1	ASTM A216-WCB (CARBON STEEL) ASTM A351-CF8M (316 SS)
2	RETAINER (2)	2	ASTM A216-WCB (CARBON STEEL)
3	BOLT (2)	4	ASTM A354-BD (ALLOY STEEL)
4	NUT (2)	4	ASTM A194-2H (ALLOY STEEL)
5	WINDOW (3)	2	TEMPERED BOROSILICATE
6	SEAL GASKET	2	GYLON
7	CUSHION GASKET	2	FIBER
8	INDICATOR	1	NO INDICATION DRIP TUBE (PTFE)

NOTES (REFERENCE PARTS LIST)

(1) a. STANDARD FLANGES FACED & DRILLED TO ASME B16.5 CLASS 300 RF DIMENSIONS
b. ADDITIONAL ALLOYS AVAILABLE PER REQUEST
(2) ADDITIONAL ALLOYS AVAILABLE PER REQUEST
(3) a. OPTIONAL MATERIALS AVAILABLE PER PROCESS CONDITIONS
b. ADDITIONAL WINDOW OPTIONS AVAILABLE SEE SIDE SECTION FOR DETAILS
- BODIES ARE RATED FOR FULL VACUUM SERVICE

DESIGNED IN ACCORDANCE WITH ASME B31.1 & B31.3 FOR PRESSURE VERSUS TEMPERATURE RATINGS USING ONLY LISTED METALS IN FABRICATION



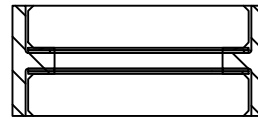
UNIGLAS WINDOW



DUAL UNIGLAS WINDOWS



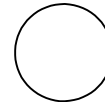
FULL VIEW DUAL WINDOWS



8



DRIP TUBE
MODEL 90-LR-D-300-TEFLON



NO INDICATOR
MODEL 90-LR-300-TEFLON

ASME PRESSURE / TEMP RATINGS PSIG / °F (BAR / °C)		
TEMP °F (°C)	PRESSURE	
	STEEL	316 SS
-20 TO 100	740 (51.0)	720 (49.6)
150 (66)	710 (49.0)	670 (46.2)
200 (93)	680 (46.9)	620 (42.8)
250 (121)	668 (46.1)	590 (40.7)
300 (149)	655 (45.2)	560 (38.6)
350 (177)	645 (44.5)	535 (36.9)
400 (204)	635 (43.8)	515 (35.5)
450 (232)	620 (42.7)	495 (34.1)
500 (260)	605 (41.7)	480 (33.1)

FOR TEMPERATURES ABOVE 500°F (260°C) TO ASME B16.5 FOR PRESSURE RATINGS

FLANGE SIZE	LINING THICK	A		B		C		D (**)		APPROX. WEIGHT		
IN	DN	mil	IN	mm	IN	mm	IN	mm	IN	mm	LBS	KGS
1	25	.02-.03	5.00	127	1.25	32	6.88	175	5.18	132	12	5.4
1 1/2	40	.02-.03	6.00	152	2.00	51	8.38	213	7.25	184	21	9.5
2	50	.02-.03	6.50	165	2.00	51	9.06	230	7.25	184	34	15.4
3	80	.02-.03	7.75	197	3.18	81	11.13	283	10.44	265	60	27.2
4	100	.02-.03	9.00	229	4.25	108	13.16	334	12.50	318	90	40.8

DIMENSIONS (TOL ± .125 (3mm))

(**) STANDARD BOLT LENGTH SHOWN. OPTIONAL WINDOW MATERIALS OR USE OF STUDS MAY INCREASE LENGTH.