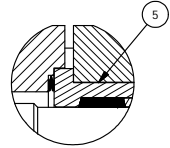
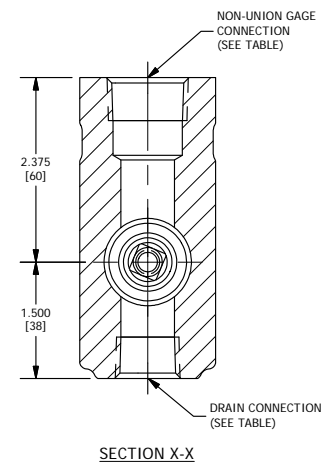
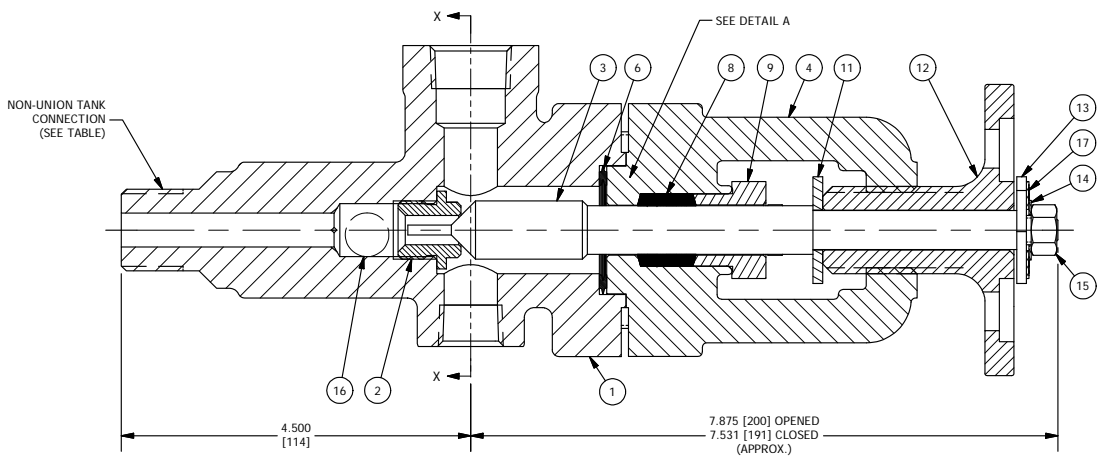


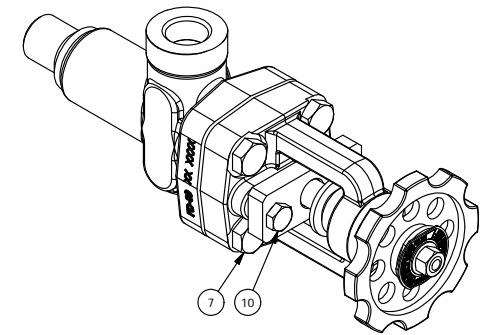
BILL OF MATERIAL (CS BODY/416SS TRIM)					BILL OF MATERIAL (316SS BODY/316SS TRIM)				
NO.	NAME OF PART	QTY.	MATERIAL	PART NO. SPECIFICATION	NO.	NAME OF PART	QTY.	MATERIAL	PART NO. SPECIFICATION
1	BODY, VALVE	1	CARBON STEEL	PER ORDER A105	1	BODY, VALVE	1	316/316LSS	PER ORDER A182 GR.F316/316L
2	SEAT	1	416SS	P125 U3 QQ-S-763	2	SEAT	1	316/316LSS	P125 T2 A479
3	STEM	1	416SS	P6680 U3 QQ-S-763	3	STEM	1	316/316LSS	P6680 T2 A479
4	YOKE	1	CARBON STEEL	L264 B A105	4	YOKE	1	CARBON STEEL	L325 B A105
5	-----	-	-----	-----	5	SLEEVE	1	316/316LSS	P6711 TL2 A479
6	SPIRAL GASKET	1	316/FLEXICARB	P5643 T	6	SPIRAL GASKET	1	316/FLEXICARB	P5643 T
7	CAP SCREW	4	ALLOY STEEL	P6475 B71 A193 GR.B7	7	CAP SCREW	4	ALLOY STEEL	P6475 B71 A193 GR.B7
8	PACKING	1	GRAPHITE/INCONEL	G291	8	PACKING	1	GRAPHITE/INCONEL	G291
9	PACKING GLAND	1	CARBON STEEL	V18257 3 AL4 A36	9	PACKING GLAND	1	CARBON STEEL	V18257 3 AL4 A36
10	CAP SCREW	2	ALLOY STEEL	P6153 B71 A193 GR.B7	10	CAP SCREW	2	ALLOY STEEL	P6153 B71 A193 GR.B7
11	WASHER, STEM	1	CARBON STEEL	P6195 A4	11	WASHER, STEM	1	CARBON STEEL	P6195 A4
12	HANDWHEEL	1	BRONZE	V7730 F6 B505	12	HANDWHEEL	1	BRONZE	V7730 F6 B505
13	WASHER, HANDWHEEL	1	CARBON STEEL	P6196 A4	13	WASHER, HANDWHEEL	1	CARBON STEEL	P6196 A4
14	WASHER, STEM NUT	1	CARBON STEEL	P33 2 A1	14	WASHER, STEM NUT	1	CARBON STEEL	P33 2 A1
15	NUT, STEM	1	CARBON STEEL	V11061 A12	15	NUT, STEM	1	CARBON STEEL	V11061 A12
16	BALL CHECK (OPTIONAL)	1	440SS	P1 I	16	BALL CHECK (OPTIONAL)	1	316SS	P1 T2 QQ-S-763
17	RATING TAG	1	304SS	V22038 1	17	RATING TAG	1	304SS	V22038 1

- NOTES:
- DIMENSIONS IN INCHES W/ mm EQUIVALENTS IN BRACKETS
 - TOP AND BOTTOM VALVES INTERCHANGEABLE
 - VALVE RATING - CARBON STEEL & 316SS:
4000 PSI @ 100°F, 1308 PSI @ 800°F
(281 KG/CM² @ 38°C, 92 KG/CM² @ 427°C)
 - CERTIFIED TO LOW EMISSIONS STANDARD API 624 W/ PACKING G291
 - BALL CHECK OPTIONAL - FURNISHED ON REQUEST
 - SEE TABLES FOR AVAILABLE STANDARD CONNECTIONS
 - REFER TO THE FOLLOWING (FOR):
 - CATALOG BULLETIN J100.53 (ADDITIONAL INFORMATION)
 - IOM BULLETIN J500.08 (INSTRUCTIONS)
 - VALVE "TRIM" = SEAT, STEM & (OPTIONAL) BALL CHECK
 - CONSULT FACTORY FOR ALTERNATE MATERIAL OPTIONS (NOT AVAILABLE IN ALL 316SS)

TANK CONNECTION				
1/2" MNPT (OR MSW)	1/2" FNPT (OR FSW)	3/4" MNPT (OR MSW)	3/4" FNPT (OR FSW)	1" MNPT (OR MSW)
GAGE CONNECTION				
1/2" OR 3/4" FNPT (OR FSW) ONLY				
VENT / DRAIN CONNECTION				
1/2" FNPT (OR FSW) ONLY				



DETAIL A
(ADDITION OF SLEEVE FOR VALVES W/ 316SS BODY/316SS TRIM)



<p>MANUFACTURED BY Clark-Reliance® 16633 FOLTZ PARKWAY STRONGSVILLE, OH 44149 USA (440) 572-1500 www.clarkreliance.com © Clark-Reliance® Corporation. All Rights Reserved.</p>	<p>JERGUSON®</p> <p>#73 IN-LINE VALVE (PLAIN-CLOSING) NON-UNION TANK & GAGE CONNECTIONS</p>	DRAWN: DDenk CHECKED: MK DATE: 7/8/2013	REVISION: 2 DRAWING NO.: 73	REV.: 2
		2 10/25/2019 CHANGED PACKING MATERIAL FROM GRAPHITE/NICR JJK 1 12/22/2016 UPDATED PACKING G291 DCD REV DATE REVISION BY		