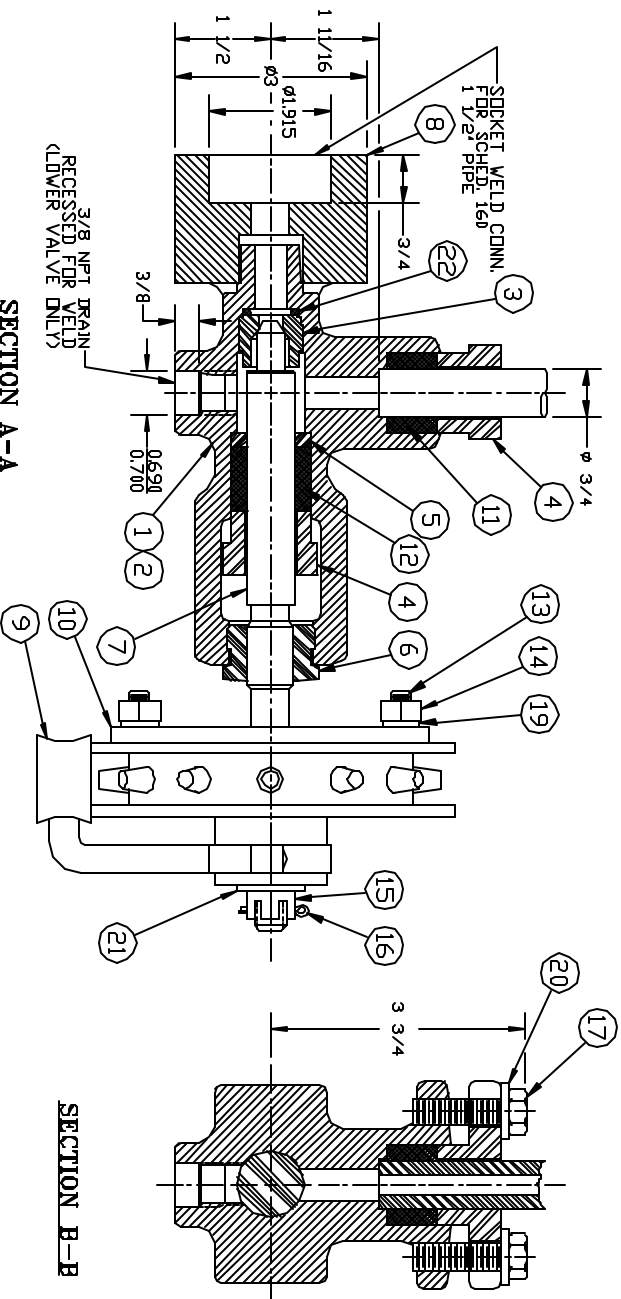


BILL OF MATERIALS				
ITEM	P/N	DESCRIPTION	QTY	DWG NO
1	RS6754-1	VALVE BODY, LOWER, FORGED STL	1	B-9198
2	RS6754-1A	VALVE BODY, UPPER, FORGED STL	1	B-9198
3	RS6454-24	VALVE SEAT	2	SG7017A
4	RS6754-2	PACKING YAKE	4	A-9199
5	RS6754-3	PACKING WASHER	2	B-9198
6	RS6754-6	BUSHING	2	A-18717
7	RS6754-7	STEM	2	SG-7004-A
8	RS6777-2	ADAPTOR	2	B-9198
9	RS6777-4-8-5	CHAIN WHEEL AND GUIDE	2	B-8278
10	RS6777-6	SPIDER ADAPTOR	2	B-8278
11	RS6684-4	GRAP HILL PACKING	2	SG-7021-A
12	RS6684-5	GRAP HILL PACKING	2	SG-7021-A
13	X171000	5/16-18X1 CARRIAGE BOLT	6	
14	X171350	NUT, HEX, 5/16-18, PLATED	6	
15	X171480	NUT, HEX, 1/2-13, SLOTTED	2	
16	X171790	PIN, 1/8X1-1/4, CUTTER, STEEL	2	
17	X172341	HCS, 7/16-14X1-1/2 GR. B7	2	
18	X174160	CPSS, 10-24X1/4	8	
19	X174160	WASHER, 5/16, LOCK, 18-8 SS	6	
20	X174212	WASHER, 7/8ODX15/32ID	8	
21	X174220	WASHER, 1/2 SAE FLAT	2	
22	X175500	VALVE SEAT GASKET	2	A-5419



NOTE: ON UPPER VALVE, CHAIN WHEEL AND GUIDE ARE ASSEMBLED IN REVERSED POSITION.

LENGTH OF GLASS DR INSERT EQUALS VALVE CENTERS LESS 3 1/4"  
 MAXIMUM PRESSURE RATING:  
 1500 PSI @ 600°F  
 HYDROTEST AT 2200 PSI

SECTION A-A  
 LOWER VALVE SHOWN

SECTION B-B

MATERIAL: SEE TABLE  
 DRAWN: BSL CHECKED:  
 SCALE: NONE DATE: 10/1/95  
 REV. 3 PER CDC 95-127/BSL

**CLARK-RELIANCE CORP.**  
**STRONGSVILLE, OHIO, U.S.A.**

SG778 FORGED STEEL  
 WATER GAGE VALVE

TOLERANCE CLASS: N/A

DRAWING NUMBER:  
 B-9204

REV. 3