

December 11, 2020

Attention: Tanya Francis
TECHNICAL STANDARDS & SAFETY AUTHORITY
345 CARLINGVIEW DRIVE
TORONTO, ON M9W 6N9

The design submission, tracking number 2020-01566, originally received on March 16, 2020 was surveyed and accepted for registration as follows:

CRN : 0F11916.52 **Accepted on:** December 11, 2020
Reg Type: ADDITION TO ACC. FITTING **Expiry Date:** October 23, 2027
Drawing No. : RW400 (SEE SCOPE: ADDITION OF RW400 MODEL) Rev 4 As Noted
Fitting type: LEVEL GAUGE

Design registered in the name of : CLARK-RELIANCE CORPORATION

The registration is conditional on your compliance with the following notes:

- *This registration covers the addition of RW400 Model only.*

As indicated on AB-41 Statutory Declaration form and submitted documentation, the code of construction is SECTION VIII, DIV. 1.

- *It is our understanding that the fitting(s), included as the scope of this submission, that is(are) subject to the Safety Codes Act shall comply with the requirements of the indicated Standard or Code of Construction on the AB-41 Statutory Declaration as supported by the attached data which identifies the dimensions, materials of construction, press./temp. ratings and the basis for such ratings, and the identification marking of the fittings.*
- *This registration is valid only for fittings fabricated at the location(s) covered by the QC certificate attached to the accepted AB-41 Statutory Declaration form.*
- *This registration is valid only until the indicated expiry date and only if the Manufacturer maintains a valid quality management system approved by an acceptable third-party agency until that date.*
- *Should the approval of the quality management system lapse before the expiry date indicated above, this registration shall become void.*

An invoice covering survey and registration fees will be forwarded from our Revenue Accounts.

If you have any question don't hesitate to contact me by phone at (780) 433-0281 ext 3377 or fax (780) 437-7787 or e-mail Barut@absa.ca.

Sincerely,



BARUT, VINCE, P. Eng.
DOP Cert. No. D00005723



Technical Standards and Safety Authority
345 Carlingview Drive
Toronto, Ontario M9W 6N9
www.tssa.org



STATUTORY DECLARATION Registration of Fittings

I, ROB WILBER, R&D ENGINEER
(Name and Position, e.g. President, Plant Manager, Chief Engineer)

of CLARK-RELIANCE CORPORATION
(Name of Manufacturer)

Located at 16833 FOLTZ PARKWAY, STRONGSVILLE, OH 44149 440-572-1500
(Plant Address) (Telephone No.) (Fax No.)

do solemnly declare that the fittings listed hereunder, which are subject to the *Technical Standards and Safety Act*, Boilers and Pressure Vessels Regulation, comply with all of the requirements of _____
(Title of recognized North American Standard)
which specifies the dimensions, materials of construction, pressure/temperature ratings, identification marking the fittings and service;

or are not covered by the provisions of a recognized North American standard and are therefore manufactured to comply with Mfg's Std/ASME where applicable as supported by the attached data which identifies the dimensions, material of construction, pressure/temperature ratings and the basis for such ratings, the marking of the fitting for identification and service.

I further declare that the manufacture of these fittings is controlled by a quality system meeting the requirements of ISO-9001
which has been verified by the following authority, HSB Registration Services

The items covered by this declaration, for which I seek registration, are category F type fittings. In support of this application, the following information and/or test data are attached as follows:
Product Literature, Drawings, Calculations
(drawings, calculations, test reports, etc.)

Declared before me at CLARK-RELIANCE in the STATE of OHIO
the 18TH day of FEB AD 2020

Commissioner for Oaths:
CHRISTINE MCCOMBS
(Printed name)
Christine McCombs
(Signature)

[Signature]
(Signature of Declarer)

FOR OFFICE USE ONLY

To the best of my knowledge and belief, the application meets the requirements of the *Technical Standards and Safety Act*, Boilers and Pressure Vessels Regulation, and CSA Standard B51 and is accepted for registration in Category 2020-01566

CRN: _____
Registered by: _____
Dated: _____

ABSA
SAFETY CODES ACT - PROVINCE OF ALBERTA
ACCEPTED: 0F11916.52
See acceptance letter for conditions of registration.
Date: 2020-12-11 By: V.P. Barut
VINCE BARUT, P. Eng.



Christine McCombs
Notary Public, State of Ohio
My Commission Expires
July 9, 2020

NOTE: This registration expires on:

*Information provided in this application is relevant to the Pressure Equipment Safety Regulation, in accordance with the Electronic Transactions Act. This stamp and signature have been affixed electronically to the original design as required by Section 20(1) of the Pressure Equipment Safety Regulation, in accordance with the Electronic Transactions Act.

Scope of registration is the addition of \$W400 Model. Registered design drawing RW400 REV 4.



Products for Registration

The following are the Jerguson products for which design registration is sought:

Flat Glass Gages Series

300L
20 / EFI S, EFI ST, EFI X, EFI XT
30
32
40
51
L10
103R
R103R
103T
R103T
123R
R123R
123T
R123T
SG - # - # - 9B
RJSG - # - # - 9B
SG - # - # - 11B
RJSG - # - # - 11B
SG - # - # - 16B
RJSG - # - # - 16B
W20 / EFI S-1100W-1108W, EFI ST-1200W-1208W
W300L
RW400

This registration covers the addition of
RW400 Model only.

Flat Glass Gage Valves Series

60 / EFI 423-426, EFI 433-436
70
70L
70H
84H
87H
80H
80HO
80V
80VO
90
140 / EFI 323-326, EFI 331-336
360
633
R633
637
R637
739
R739



7311
R7311
7325
R7325

Tubular Gages and Valves Series

56 / EFI 243-246
125
136 – EFI 203-206
VA
VB
VC
VE

Magnicator / EFI Magna

MII - # - # - # - # - # - # - # - # - # - #
MII - EFI - MAGNA - # - # - # - # - # - # - # - # - # - #

Mini-Magnicator / EFI Mini-Magna

MM - # - # - # - # - # - # - # - # - # - #
MM4 - EFI - MINI - MAGNA - # - # - # - # - # - # - # - # - # - #

MGWR Chamber

MGWR - # - # - # - # - # - # - # - # - # - #

Bypass Chamber

BPC - # - # - # - # - # - # - # - # - # - #

BILL OF MATERIAL (CARBON STEEL)					
NO.	NAME OF PART	QTY.	MATERIAL	PART NO.	SPECIFICATION
1	CHAMBER, WELD PAD	1	CARBON STEEL	V22639 ## A40	A36
2	GASKET: SEAL	1 PER SECT.	IFG5500	V18980 #	
3	GLASS: REFLEX	1 PER SECT.	BOROSILICATE	V16757 #	
4	GASKET: CUSHION	1 PER SECT.	IFG5500	V18980 #	
5	COVER	1 PER SECT.	CARBON STEEL	V22505 # A11	SA36
6	BOLT	SEE CHART	CARBON STEEL	X172479	B18.2.1
7	WASHER	2	304SS	V13936 R	
8	TAG: RATING	1	304SS	V21864	

BILL OF MATERIAL (316SS PIC)					
NO.	NAME OF PART	QTY.	MATERIAL	PART NO.	SPECIFICATION
1	CHAMBER: WELD PAD	1	316/316LSS	V22639 ## TL2	ASTM 276 & ASME SA479
2	GASKET: SEAL	1 PER SECT.	IFG5500	V18980 #	
3	GLASS: REFLEX	1 PER SECT.	BOROSILICATE	V16757 #	
4	GASKET: CUSHION	1 PER SECT.	IFG5500	V18980 #	
5	COVER	1 PER SECT.	CARBON STEEL	V22505 # A11	SA36
6	BOLT	SEE CHART	CARBON STEEL	X172479	B18.2.1
7	WASHER	2	304SS	V13936 R	
8	TAG: RATING	1	304SS	V21864	

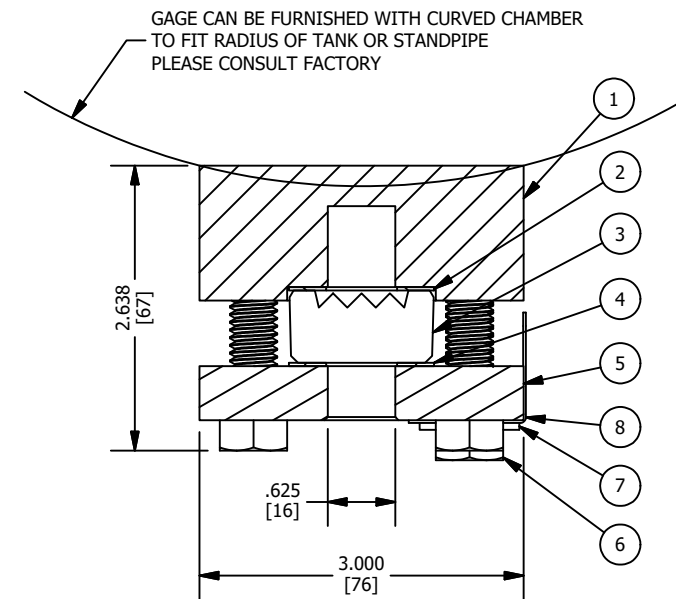
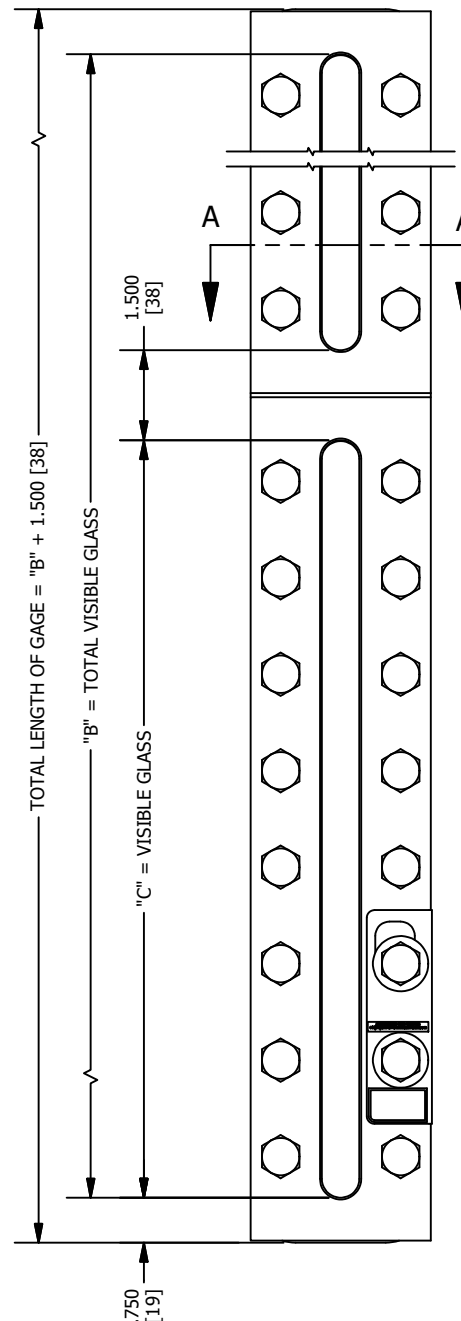
BILL OF MATERIAL (ALL 316SS)					
NO.	NAME OF PART	QTY.	MATERIAL	PART NO.	SPECIFICATION
1	CHAMBER: WELD PAD	1	316/316LSS	V22639 ## TL2	ASTM 276 & ASME SA479
2	GASKET: SEAL	1 PER SECT.	IFG5500	V18980 #	
3	GLASS: REFLEX	1 PER SECT.	BOROSILICATE	V16757 #	
4	GASKET: CUSHION	1 PER SECT.	IFG5500	V18980 #	
5	COVER	1 PER SECT.	316/316LSS	V22505 # TL10	SA479
6	BOLT	SEE CHART	316SS	X172603	B18.2.1
7	WASHER	2	304SS	V13936 R	
8	TAG: RATING	1	304SS	V21864	

NOTES:

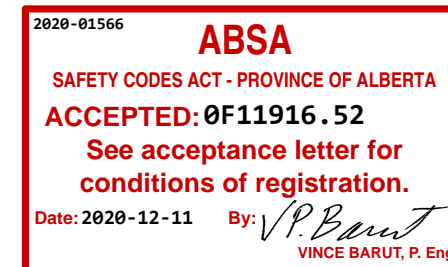
- DIMENSIONS IN INCHES W/ mm EQUIVALENTS IN BRACKETS.
- REFER TO THE FOLLOWING (FOR):
 - CATALOG BULLETIN J100.37 (FULL RATINGS & ADDITIONAL INFORMATION).
 - IOM BULLETIN J500.11 (INSTRUCTIONS).
 - SEE PRICE SHEET BULLETINS FOR AVAILABLE OPTIONS.
- "#" IN PART NUMBER INDICATES SIZE AND/OR NUMBER OF SECTIONS.
- CONSULT FACTORY FOR ALTERNATE MATERIAL OPTIONS.

TEMPERATURE/ PRESSURE RATING:

CARBON STEEL: MIN TEMPERATURE -20°F, MIN PRESSURE 0 PSI
MAX TEMPERATURE 400°F, MAX PRESSURE 400 PSI
STAINLESS STEEL: MIN TEMPERATURE -320°F, MIN PRESSURE 0 PSI
MAX TEMPERATURE 400°F, MAX PRESSURE 400 PSI



SECTION A-A
SERIES RW400



This stamp and signature have been affixed electronically to this registered design as required by Section 20(1) of the Pressure Equipment Safety Regulation, in accordance with the Electronic Transactions Act.

REV	DATE	REVISION	BY
4	6/2/2020	UPDATED BALLONS IN SECTION A-A	SH
3	5/19/2020	ADDED TEMPERATURE/ PRESSURE RATINGS	SH
2	4/3/2020	UPDATED SPECIFICATION FOR 316SS CHAMBERS. ADDED TOTAL LENGTH DIMENSION	SH

SIZE NO.	QTY. PER SECT.	DIM. "C"	NUMBER OF SECTIONS			
			DIMENSION "B"			
			1	2	3	4
1	6	3.750 [95]	3.750 [95]	9.000 [229]	14.250 [362]	19.500 [495]
2	6	4.750 [121]	4.750 [121]	11.000 [279]	17.250 [438]	23.500 [597]
3	8	5.750 [146]	5.750 [146]	13.000 [330]	20.250 [514]	27.500 [699]
4	10	6.750 [171]	6.750 [171]	15.000 [381]	23.250 [591]	31.500 [800]
5	10	7.875 [200]	7.875 [200]	17.250 [438]	26.625 [676]	36.000 [914]
6	12	9.125 [232]	9.125 [232]	19.750 [502]	30.375 [772]	41.000 [1041]
7	14	10.250 [260]	10.250 [260]	22.000 [559]	33.750 [857]	45.500 [1156]
8	16	11.875 [302]	11.875 [302]	25.250 [641]	38.625 [981]	52.000 [1321]
9	16	12.625 [321]	12.625 [321]	26.750 [679]	40.875 [1038]	55.000 [1397]

MANUFACTURED BY
Clark-Reliance®
16633 FOLTZ PARKWAY
STRONGSVILLE, OH 44149 USA
(440) 572-1500 | www.clarkreliance.com
© Clark-Reliance® Corporation. All Rights Reserved.

JERGUSON®

SERIES RW400 WELD PAD GAGE

PART NUMBER: A35803 ## ###		
TOLERANCE CLASS (PER PES-004): N/A		
MATERIAL: N/A		
REVISION: 4 PER CDC-20-316 SH 6/2/2020		
DRAWN: SH	DRAWING NO.:	REV.:
CHECKED: SRM	RW400	4
DATE: 7/23/2019		