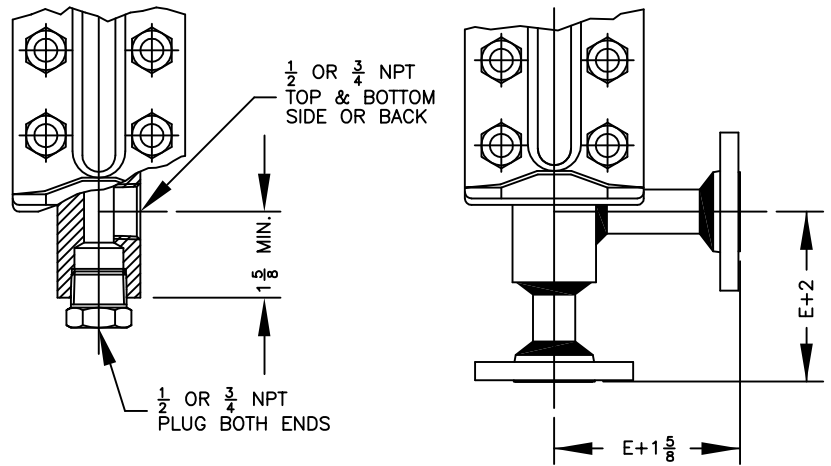


# OPTIONAL CONNECTIONS FOR GAGES

## SERIES 20, 32 & 300L C.H. GAGES

**NOTES:**

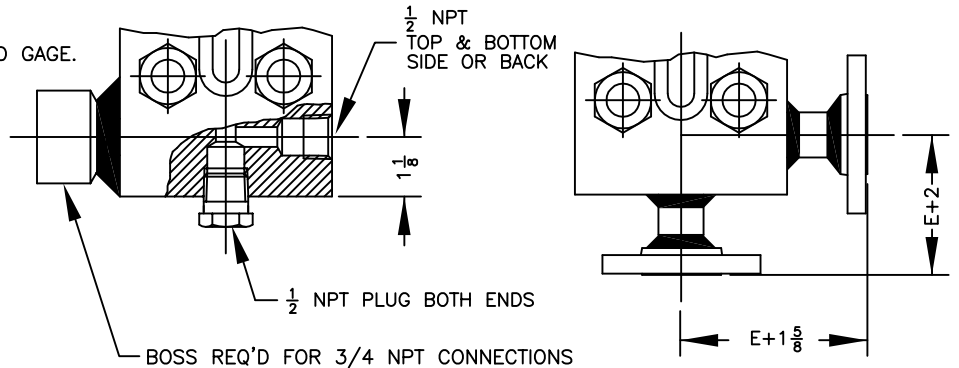
- (1) 'A' = STANDARD CENTERS = OVERALL LENGTH OF END CONNECTED GAGE. EXTENDED CENTERS AVAILABLE ON SPECIAL ORDERS.
- (2) CENTERS FOR T-20 AND T-32 GAGES WITH BACK CONNECTIONS ADD 1-1/2" TO DIM. 'A'.
- (3) ALL FLANGES OVER 3/4" ARE FURNISHED REDUCED TO 3/4" SLIP-ON.
- (4) CENTERS FOR 3/4" NPT CONNECTIONS ADD 3/8" TO DIM. 'A'.
- (5) SEE TABLE AT BOTTOM FOR 'E' DIM.



## SERIES 40 C.H. GAGES

**NOTES:**

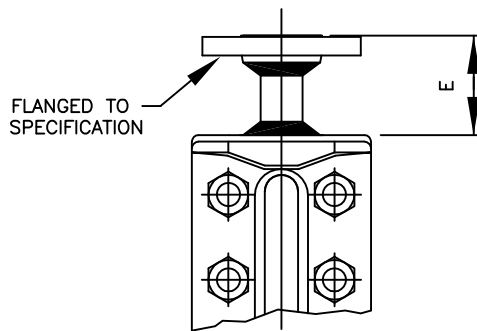
- (1) 'A' = OVERALL LENGTH OF END-CONNECTED GAGE.
- (2) STANDARD CENTERS = 'A' MINUS 1-1/8". EXTENDED CENTERS AVAILABLE ON SPECIAL ORDERS.
- (3) CENTERS FOR T-40 GAGES WITH BACK CONNECTIONS ADD 1-1/2" TO DIM. 'A'. FOR 3/4" NPT BACK CONNECTIONS ADD 1-7/8" TO DIM. 'A'.
- (4) ALL FLANGES OVER 1/2" ARE FURNISHED REDUCED TO 1/2" SLIP-ON.
- (5) SEE TABLE AT BOTTOM FOR 'E' DIM.



## SERIES 51 C.H. GAGES

DIMENSIONS ON APPLICATION

### FLANGED END CONNECTION ALL GAGES



NOTE: SEE TABLE AT RIGHT FOR 'E' DIM.

FLANGE		E
RATING	SIZE	
150#	1/2", 3/4"	1-7/8"
	1"	2"
	1-1/2"	2-1/8"
300#	2"	2-3/4"
	1/2", 3/4"	2"
	1"	2-3/8"
600#	1-1/2"	3"
	2"	3-1/2"
	1/2"	2-1/4"
900# 1500#	3/4"	2-1/2"
	1"	2-5/8"
	1-1/2"	3-1/4"
	2"	3-7/8"
	1/2"	3"
	3/4"	3-1/8"
	1"	3-1/2"
	1-1/2"	4-1/4"
	2"	5-1/2"

### OPTIONAL CONNECTIONS FOR GAGES

**JERGUSON**  
GAGE & VALVE CO.  
STRONGSVILLE, OHIO, U.S.A.

DRAWN LMC  
CHECKED MJK  
APPROVED

FILE NO.  
DRAWING NO.  
**GD-1713**

5	UPDATED FLANGE TABLE	7/24/08	
4	ADD SER.300L/DELETE SER.12	5/29/98	
SYM	REVISION	DATE	APP

SCALE NONE DATE 7/24/08

REV. 5