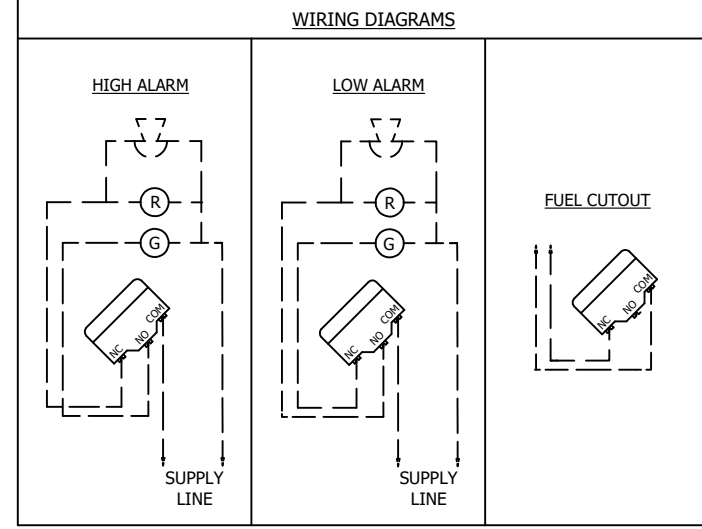
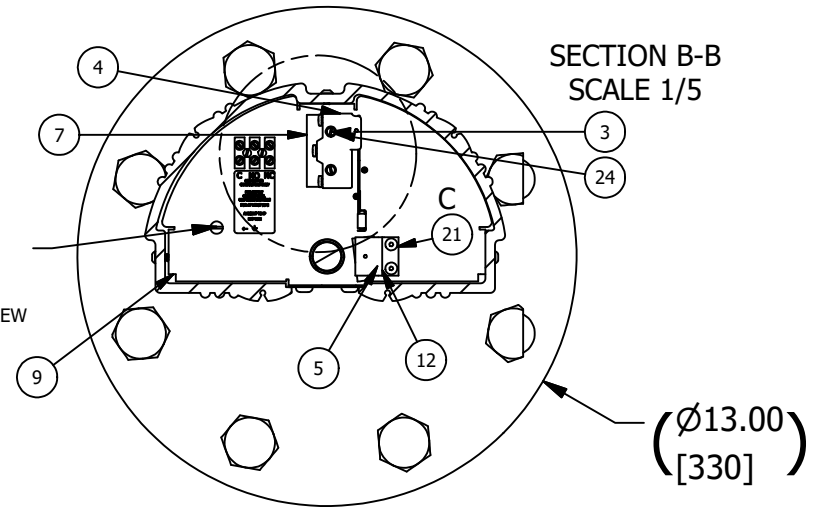
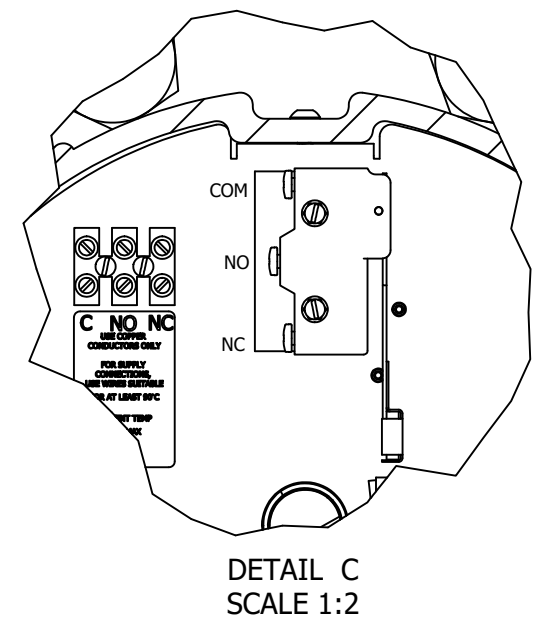
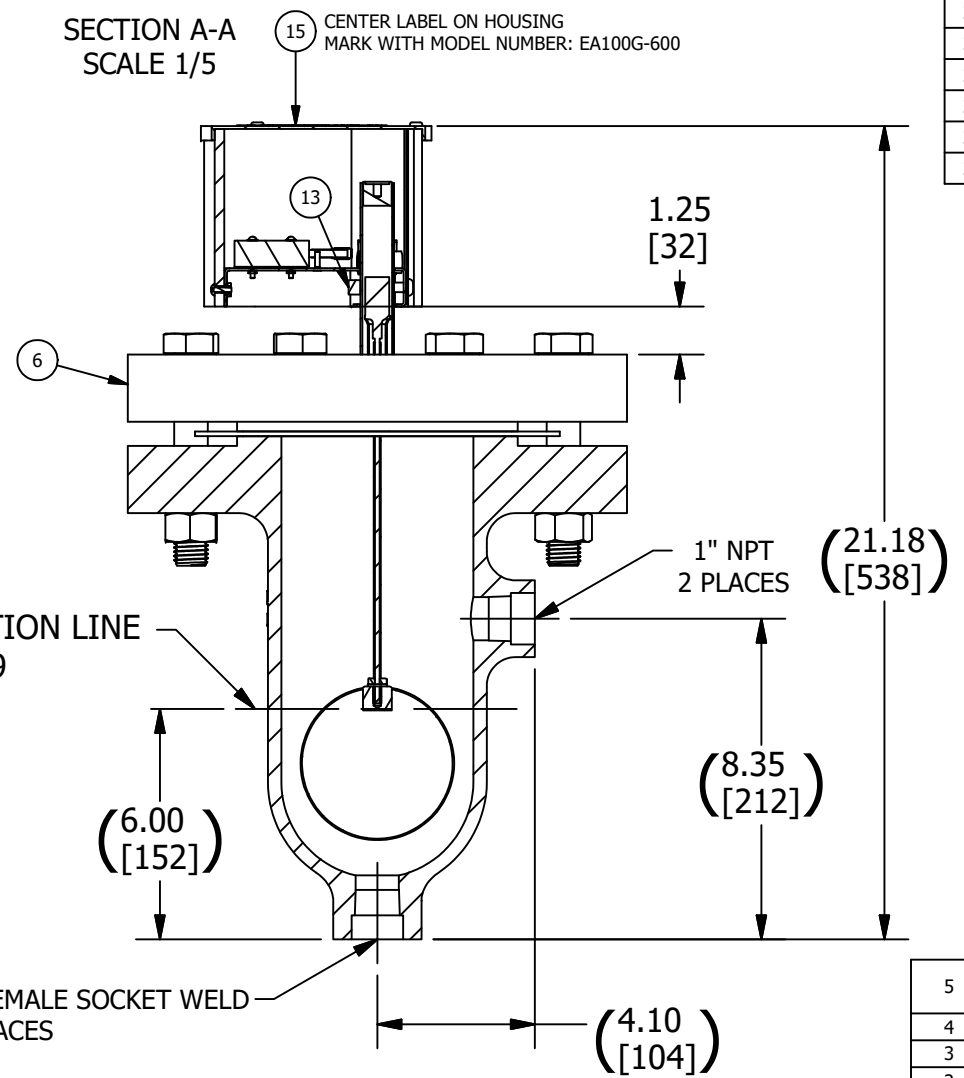
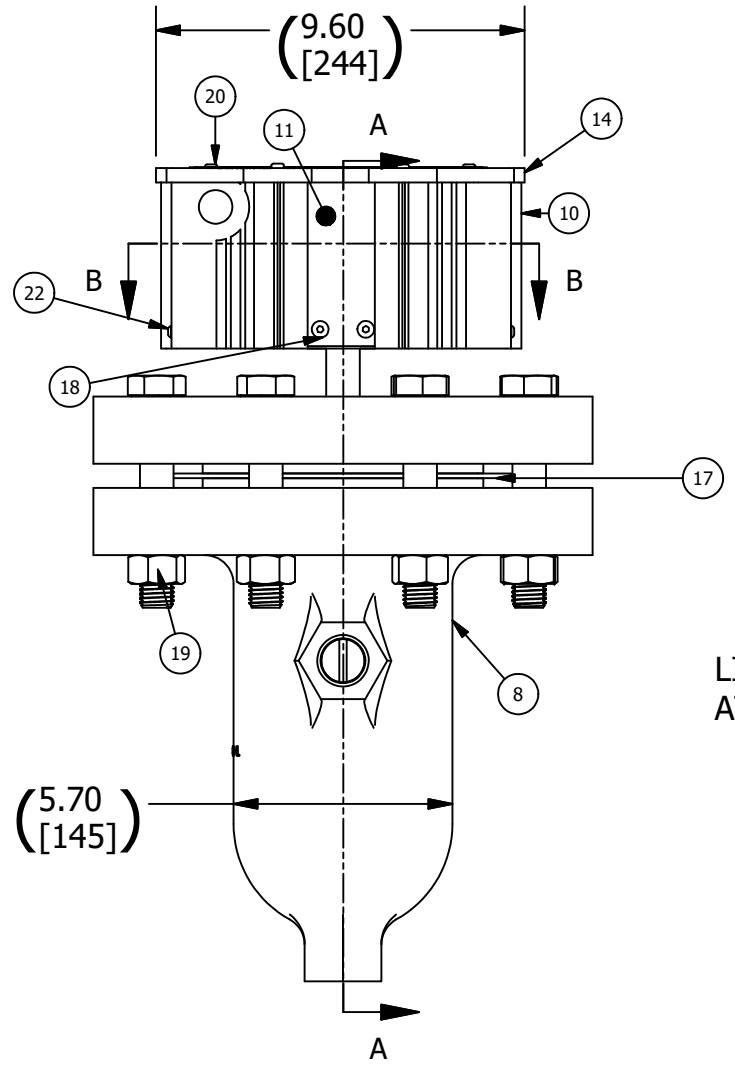


EARTH GROUND
18-8 STAINLESS STEEL
BINDING HEAD
SLOTTED MACHINE SCREW
8-32 THREAD



BILL OF MATERIAL				
NO.	PART NO.	DESCRIPTION	DRAWING	QTY.
1	E-TB-3P10MM	TERMINAL BLOCK	E-TB-3P10MM	1
2	E-W-16-00-1007	WIRE: 2.5"	E-W-16-00-1007	9
3	J 5007 21	SCREW: 4-40 X 1": PHMS	J-5007-21	4
4	REA1351	SWITCH MAGNET ASSEMBLY	EA1351	1
5	REA1352	SECONDARY MAGNET: EA100G	EA1352	1
6	REA1357	FLANGE: FLOAT: 600#: ASSEMBLY	EA1344	1
7	REA6 15	SWITCH INSULATOR	EA6-15	1
8	REA7202	BODY: 5": 600#: EA100G	EA7198	1
9	REA7204	BASEPLATE: EA100G	EA7204	1
10	REA7228	EXTRUSION: HOUSING: EA100G	EA7228	1
11	REA7229	CONNECTION PLATE: SS: EA100G	EA7229	1
12	REA7231	MAGNET HOLDER: EA100G	EA7231	1
13	REA7233	CLAMP: EA100 SWITCH	EA7233	1
14	REA7238	COVER: HOUSING: EA100G	EA7238	1
15	REA7244	LABEL: EA100G: LEVALARM	EA7244	1
16	REA7253	TERMINAL BLOCK LABEL	EA7253	1
17	V19376 6 A 2	GASKET: 304/304/FG/CS SWI, 5" 600#	V-19376	1
18	X171028	SCREW: 1/4-20 X 1.25": BHCS	X-171028	2
19	X171571	NUT: HHCS: 7/8-9: GRADE 8	X-171571	8
20	X172601	SCREW: 8-32 X .250": THREAD FORMING	X-172601	4
21	X172621	SCREW: 8-32 X 5/16": BHCS	X-172621	2
22	X172883	SCREW: 8-32 X 7/16": BHCS	X-172883	3
23	X173393	SCREW HHCS 7/8-9 X 5 ZINC GRADE 8	X-173393	8
24	X174112	WASHER: #4: INTERNAL TOOTH LOCK	X-174112	2
25	X174973	C CRIMP TERMINAL	N/A	3



MODEL NUMBER EA100G-600

- NOTES:
- MICRO SWITCH APPROVED FOR THE FOLLOWING RATINGS:
5A - 125/250 VAC
1/2A - 125 VDC
1/4A - 250 VDC
 - UNITS IN INCHES W/ MM EQUIVALENTS IN BRACKETS
 - MINIMUM SG. = .799
 - MAWP PER B16.5 GROUP 1.1 600 CLASS FLANGE
 - HYDROTEST PRESSURE 1500 PSIG

REV	DATE	REVISION	BY
5	5/20/2020	CHANGED WIRE QTY 3 TO 9, REORDERED BOM ALPHANUMERICALLY BY PART NUMBER, CDC 20-294	KJR
4	4/7/2020	ADDED TERMINAL BLOCK, WIRING, AND HARDWARE, CDC 20-128	KJR
3	3/4/2020	ADDED LOCK WASHERS, X174112, DERATED SWITCH TO 250 V MAX	NK
2	2/20/2019	LIQUID LEVEL ACTIVATION LINE CHANGED FROM 7.51 TO 6.00 INCHES	NK

MANUFACTURED BY
Clark-Reliance®
16633 FOLTZ PARKWAY
STRONGSVILLE, OH 44149 USA
(440) 572-1500 | www.clarkreliance.com
© Clark-Reliance® Corporation. All Rights Reserved.

RELIANCE®
LIQUID LEVALARM ASSEMBLY: 600#: EA100G

PART NUMBER: **REA100G 600**
TOLERANCE CLASS (PER PES-004): **D**
MATERIAL: **SEE BOM**
REVISION: **5 PER CDC 20-294 /KJR**
DRAWN: **DMB** DRAWING NO.: **EA1356** REV.: **5**
CHECKED: **SRM**
DATE: **4/13/2015**