

**CLARK-RELIANCE CORP.**  
**STRONGSVILLE, OHIO, U.S.A.**

**ECIL-12R  
CONTROL UNIT**

DRAWING  
NUMBER:  
**EC1797A**

REV.  
**0**

PART NO.: SEE CHART

TOLERANCE CLASS: N/A

DRAWN: DAS

DATE: 6/16/95

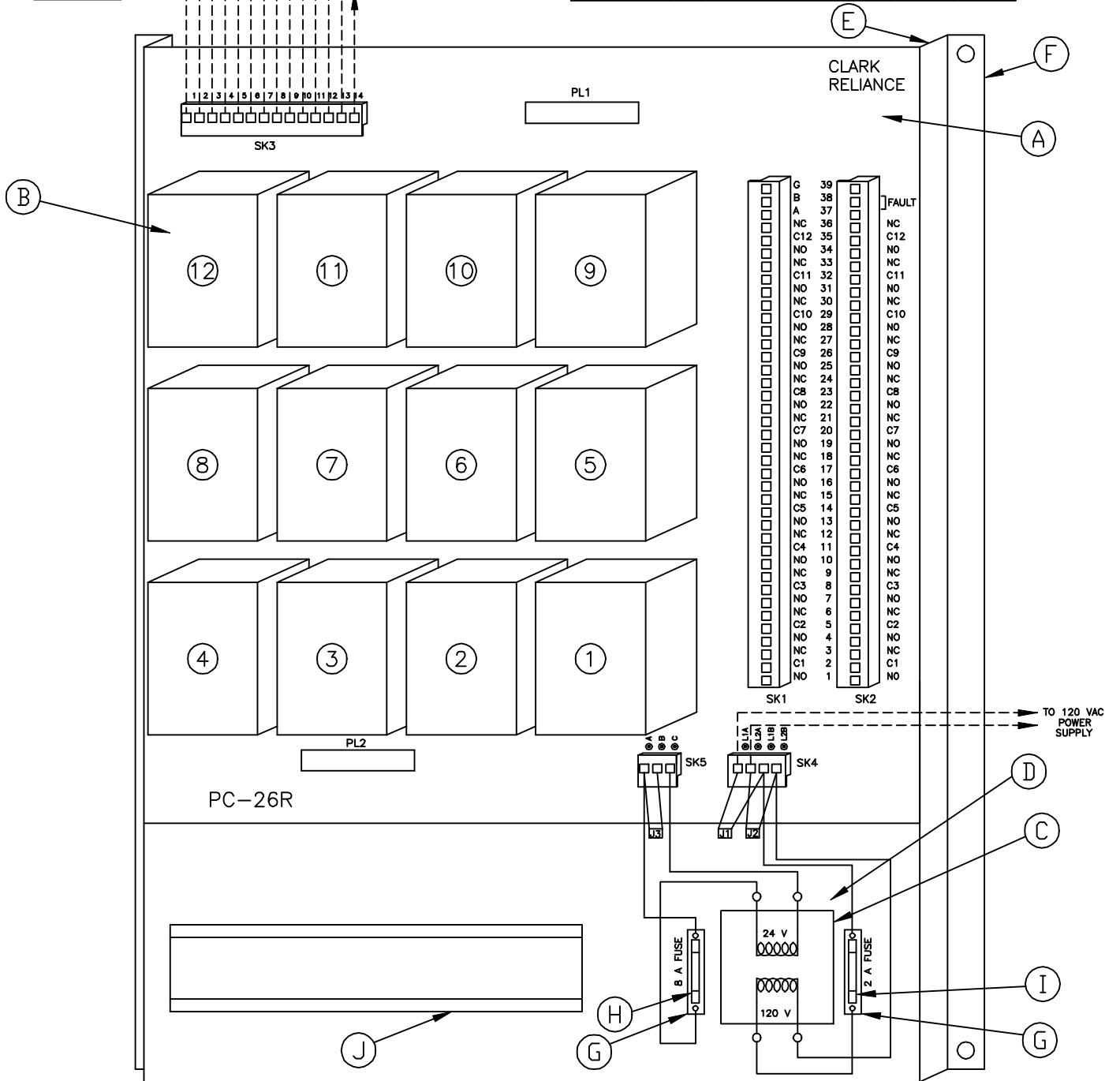
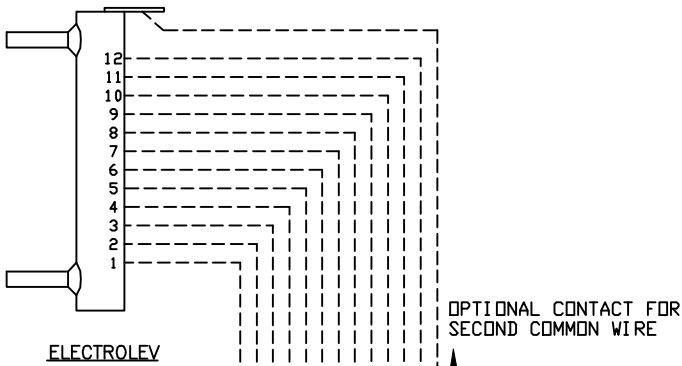
SCALE: NONE

CHECKED: JWK

CONTROL UNIT ASSEMBLY

NOTE: ENCLOSURE NOT SHOWN  
FOR NEMA 1 USE PART NO. ECIE-1 DWG NO EC7149-A  
FOR NEMA 4 USE PART NO. ECIE-4 DWG NO EC7150-A  
FOR NEMA 4X USE PART NO. RA24HI608SSLP

BILL OF MATERIAL					
ITEM	PART NO.	QTY.	DESCRIPTION	MATERIAL	DWG. NO.
A	PC-26R	1	PRINTED CIRCUIT BOARD		EC7399-B
B	ECID-23R	12	RELAY		
C	ECID-19	1	TRANSFORMER		
D	PC-63	1	TRANSFORMER PANEL	18 GA. S.S.	EC7417-A
E	PC-33L	1	SUPPORT BRACKET	18 GA. S.S.	EC7155-A
F	PC-33R	1	SUPPORT BRACKET	18 GA. S.S.	EC7155-A
G	PC-45	2	FUSE HOLDER		
H	PC-46	1	FUSE (8 AMP - 32 V.)		
I	PC-47	1	FUSE (2 AMP - 250 V.)		
J	PC-61	1	DIN MOUNTING BRACKET		



TO 120 VAC  
POWER  
SUPPLY