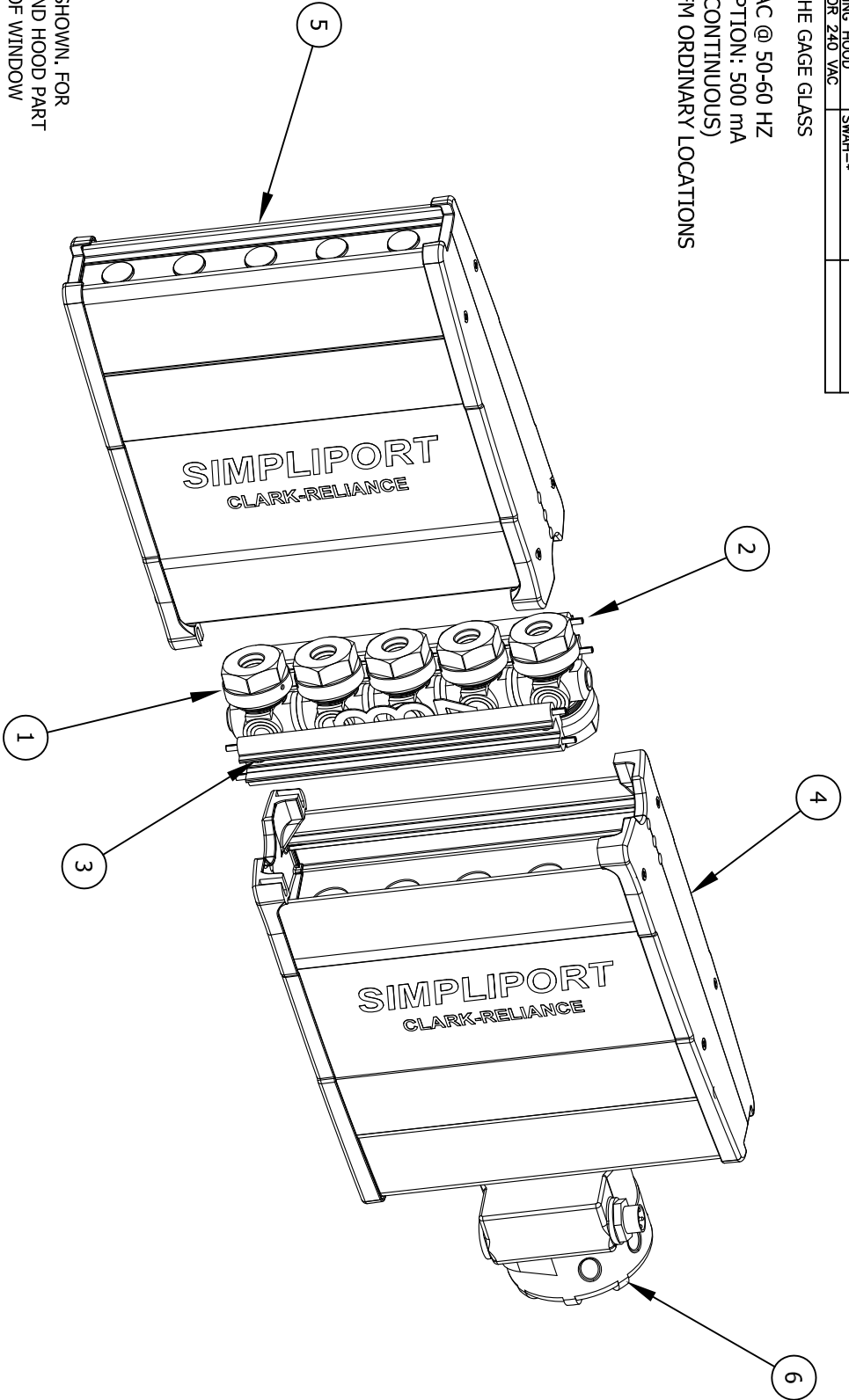


| ITEM | QTY. | DESCRIPTION | PART NO. | MAT'L SPEC |
|------|------|-------------------------------------|-----------------------------|------------|
| 1 | 1 | SIMPLI-PORT GAGE GLASS | P400* OR P410* ^L | |
| 2 | 1 | MOUNTING BAR ASSEMBLY | PWA--*-1 | |
| 3 | 4 | SHCS 5/16"-18 X 1" LONG | PW-7377 | |
| 4 | 1 | SIMPLI-PORT LED ILLUMINATOR | SWA1--* | |
| 5 | 1 | SIMPLI-PORT WIDE ANGLE VIEWING HOOD | SWAH--* | |
| 6 | 1 | POWER SUPPLY - 120 VAC OR 240 VAC | | |

* = NUMBER OF PORTS IN THE GAGE GLASS

POWER SUPPLY: 120/240 VAC @ 50-60 HZ
 MAXIMUM POWER CONSUMPTION: 500 mA
 EST. LIFE: UP TO 7 YEARS (CONTINUOUS)
 AGENCY APPROVALS: FM/CFM ORDINARY LOCATIONS
 WIRE SIZE: MIN. 16 AWG



- NOTES:
- 1) 5 PORT ILLUMINATION IS SHOWN, FOR THE ACTUAL ILLUMINATOR AND HOOD PART NUMBER, ADD THE NUMBER OF WINDOW UNITS ON THE SIMPLI-PORT GAGE FOR WHICH THE ILLUMINATION IS REQUIRED.
 - 2) FOR ORDINARY (NON-HAZARDOUS) LOCATIONS
 - 3) POWER SUPPLY IS SUITABLE FOR 120 VAC OR 240 VAC APPLICATIONS.
 - 4) REFER TO IOM #R500.E245A FOR ASSEMBLY AND WIRING DETAILS.

| HOOD PART NO. (ITEM 5) | ILLUMINATOR PART NO. (ITEM 4) | MOUNTING BAR PART NO. |
|------------------------|-------------------------------|-----------------------|
| SWAH-5 | SWA1-5 | PWA-5-1 |
| SWAH-6 | SWA1-6 | PWA-6-1 |
| SWAH-7 | SWA1-7 | PWA-7-1 |
| SWAH-8 | SWA1-8 | PWA-8-1 |
| SWAH-9 | SWA1-9 | PWA-9-1 |
| SWAH-10 | SWA1-10 | PWA-10-1 |

| REV | DATE | CHANGE | BY |
|-----|------|--------|----|
| | | | |

MANUFACTURED BY



CLARK-RELIANCE®

SIMPLI-PORT WIDE ANGLE HOOD
 AND ILLUMINATOR ASSEMBLY

PART NUMBER: SEE TABLE

TOLERANCE CLASS (PER PES-004):

MATERIAL:

REVISION:

DRAWN: FAS

CHECKED: ST

DATE: 1-21-11

DRAWING NO.:

PS1602-A PG 1 OF 3

REV.: 0

16633 FOLTZ PARKWAY
 STRONGSVILLE, OH 44149 USA
 PH: 440-572-1500
 WEB: www.clarkreliance.com