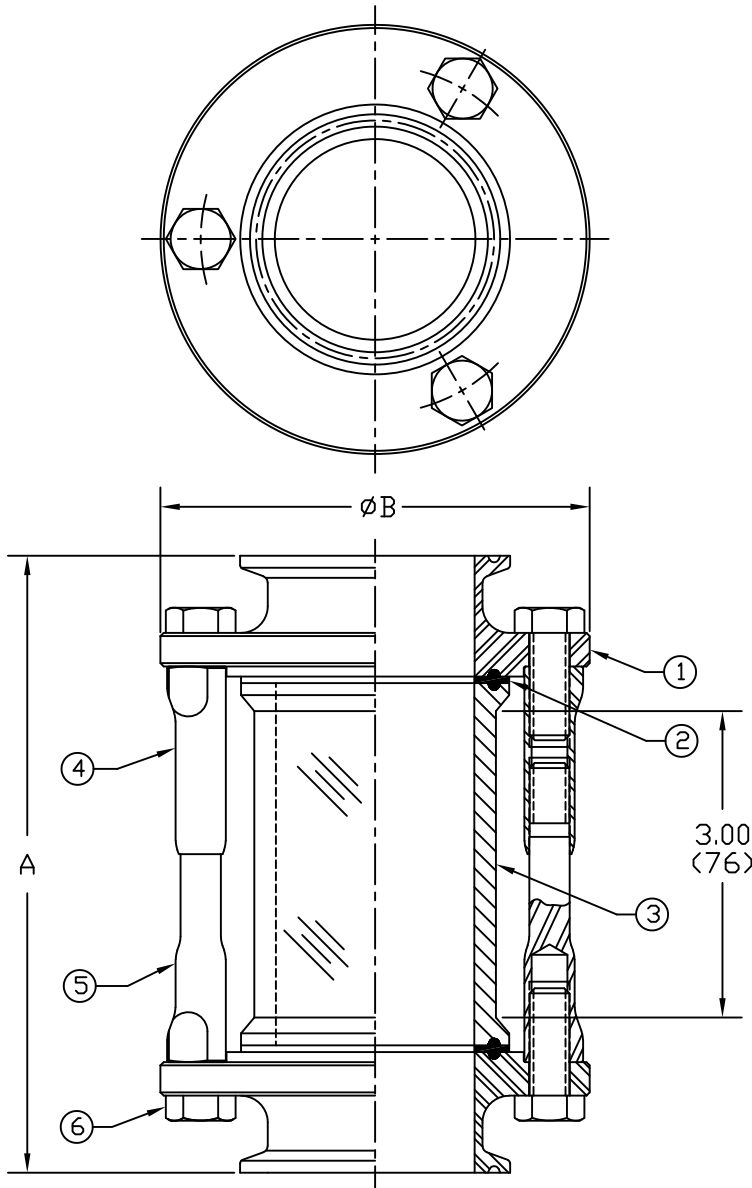


THIS DRAWING AND ALL INFORMATION ON IT IS THE PROPERTY OF JACOBY-TARBOX, DIVISION OF THE CLARK-RELIANCE CORPORATION. IT IS CONFIDENTIAL AND IS GIVEN TO YOU FOR A LIMITED PURPOSE AND MUST BE RETURNED UPON REQUEST. NEITHER THIS DRAWING NOR ANY PART OF IT NOR ANY INFORMATION CONCERNING IT MAY BE COPIED, EXHIBITED OR FURNISHED TO OTHERS NOR MAY PHOTOGRAPHS BE TAKEN OF ANY ARTICLE FABRICATED OR ASSEMBLED FROM THIS DRAWING WITHOUT CONSENT OF THE CLARK-RELIANCE CORPORATION.



ITEM	NAME	QTY.	MATERIAL
1	HEAD	2	
2	SANITARY GASKET	2	
3	OPTICAL CYLINDER	1	BORO
4	UPPER SPACER	3	316LSS
5	LOWER SPACER	3	316LSS
6	BOLT	6	316SS

SPECIFICATIONS

Materials:

- Heads: 304 SS, 316L SS to ASTM A276
- Window: Annealed Borosilicate Glass (Type 1)
: Acrylic (Optional)
- Gaskets: USP Class VI Gaskets
- Fasteners: 304 SS

Surface Finish:

- Internal:
32 Ra (150 Grit, .8 micrometers) Standard
(Finer finishes, and/or electropolishing available upon request.)

External:

- 32 Ra (150 Grit, .8 micrometers) Standard

Optional Features

- Special lengths available up to 48 inches ("A" Dim)
- Pressure ratings decrease with additional length

Model: 7000-CL

* SIZE	A INCHES (mm)	B INCHES (mm)	PRESSURE (MAX)
1/2	6.25 (159)	3.75 (95)	150 PSIG
3/4	6.25 (159)	3.75 (95)	150 PSIG
1	5.75 (146)	3.75 (95)	150 PSIG
1 1/2	5.75 (146)	3.75 (95)	150 PSIG
2	5.75 (146)	4.00 (102)	150 PSIG
2 1/2	6.38 (162)	4.75 (121)	140 PSIG
3	6.50 (165)	5.50 (140)	110 PSIG
4	7.25 (184)	6.88 (175)	110 PSIG

* 1/2 & 3/4 SIZE FOR USE ON INCLINE NO LESS THAN 15 DEGREES

* SIZES ARE STANDARD TUBE O.D.'S IN INCHES