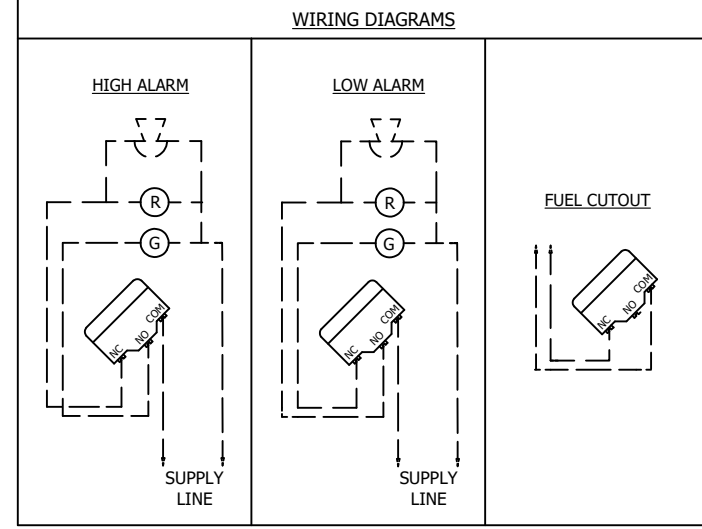
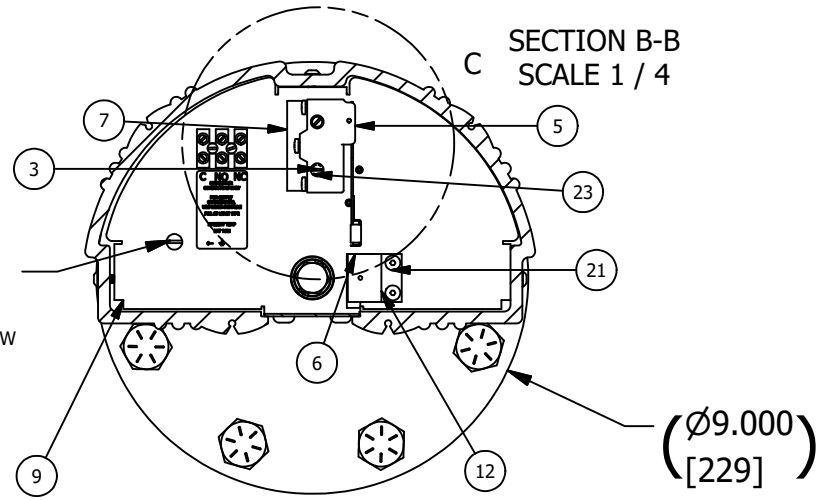
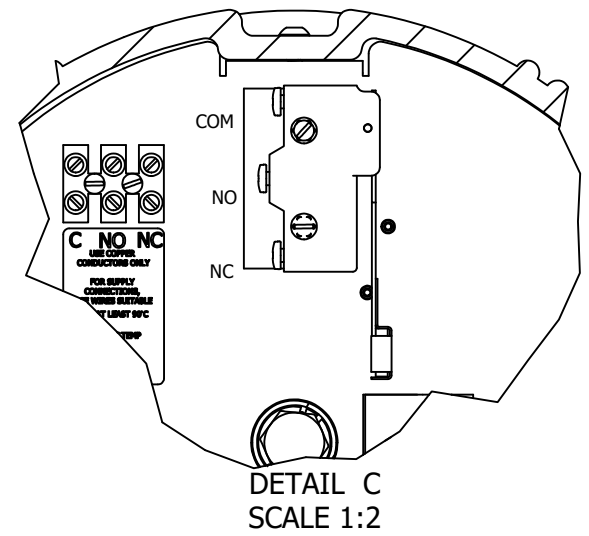
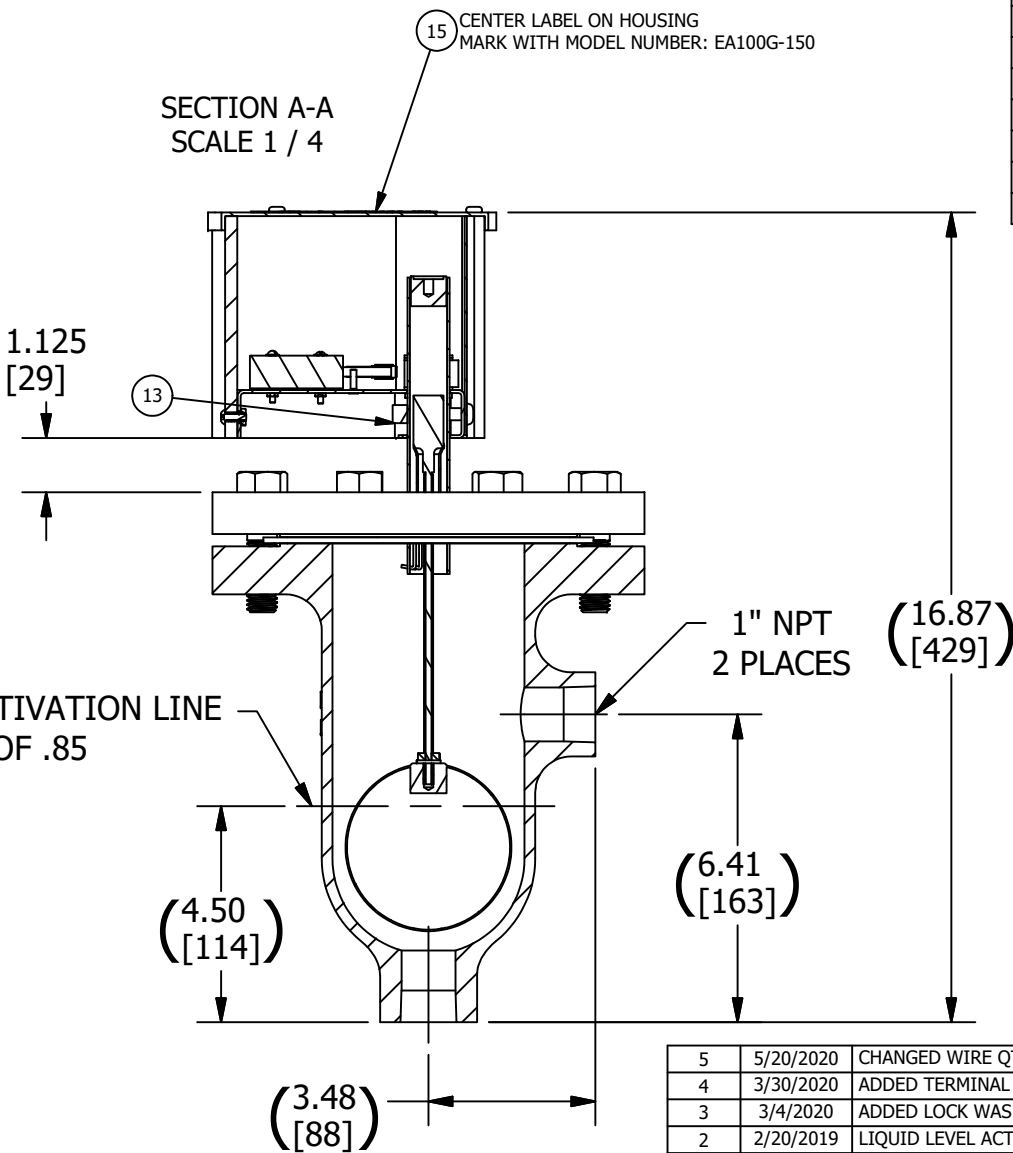
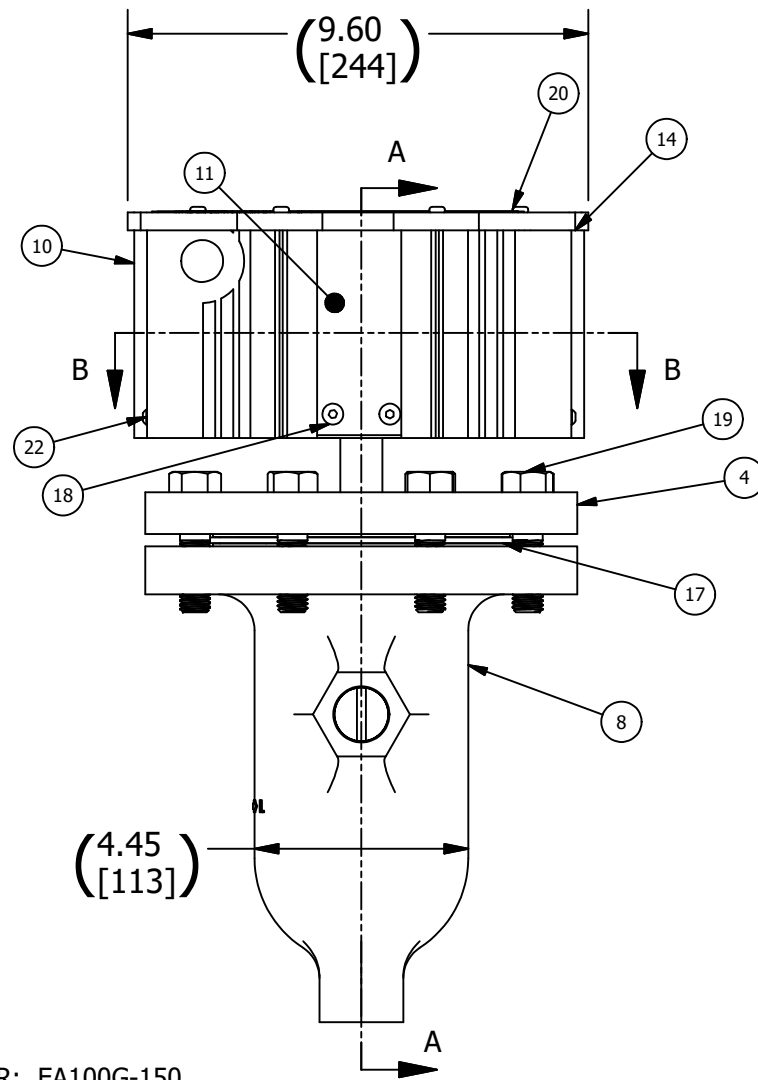


EARTH GROUND  
18-8 STAINLESS STEEL  
BINDING HEAD  
SLOTTED MACHINE SCREW  
8-32 THREAD



BILL OF MATERIAL				
NO.	PART NO.	DESCRIPTION	DRAWING	QTY.
1	E-TB-3P10MM	TERMINAL BLOCK	E-TB-3P-10MM	1
2	E-W-16-00-1007	WIRE: 2.5"	E-W-16-00-1007	9
3	J 5007 21	SREW: 4-40 X 1": PHMS	J-5007-21	4
4	REA1344	FLANGE: FLOAT: 150#: ASSEMBLY	EA1344	1
5	REA1351	SWITCH: MAGNET: ASSEMBLY	EA1351	1
6	REA1352	TERITIARY MAGNET: EA100G: ASSEM	EA1352	1
7	REA6 15	SWITCH INSULATOR	EA6-15	1
8	REA7198	BODY: 4": 150#: EA100G	EA7198	1
9	REA7204	BASEPLATE: EA100G	EA7204	1
10	REA7228	EXTRUSION: HOUSING: EA100G	EA7228	1
11	REA7229	CONNECTION PLATE: SS: EA100G	EA7229	1
12	REA7231	MAGNET HOLDER: EA100G	EA7231	1
13	REA7233	CLAMP: EA100G SWITCH	EA7233	1
14	REA7238	COVER: HOUSING: EA100G	EA7238	1
15	REA7244	LABEL: EA100G: LEVALARM	EA7244	1
16	REA7253	TERMINAL BLOCK LABEL	EA7253	1
17	V19376 1 9 2	FLANGE GASKET: SPIRAL WOUND	V-19376	1
18	X171028	1/4-20 X 1.25": BHCS	X-171028	2
19	X172400 B7 BO	BOLT: 5/8-11 X 2.5"	X-172400	8
20	X172601	CREW: 8-32 X .250": THREAD FORMING	X-172601	4
21	X172621	SCREW: 8-32 X 5/16": BHCS	X-172621	2
22	X172883	8-32 X 7/16": BHCS	X-172883	3
23	X174112	WASHER: #4: INTERNAL TOOTH LOCK	X-174112	2
24	X174973	C CRIMP TERMINAL	N/A	3



MODEL NUMBER: EA100G-150

- NOTES:
- MICRO SWITCH APPROVED FOR THE FOLLOWING RATINGS:  
5A - 125/250 VAC  
1/2A - 125 VDC  
1/4A - 250 VDC
  - UNITS IN INCHES W/ MM EQUIVALENTS IN BRACKETS
  - MINIMUM SG. = .85
  - MAWP PER B16.5 GROUP 1.1 150 CLASS FLANGE
  - DESIGN PRESSURE 200 PSIG  
HYDROTEST PRESSURE 300 PSIG

REV	DATE	REVISION	BY
5	5/20/2020	CHANGED WIRE QTY FROM 3 TO 9, REORDERED BOM ALPHANUMERICALLY BY PART NUMBER, CDC 20-294	KJR
4	3/30/2020	ADDED TERMINAL BLOCK, LABEL, WIRING, AND HARDWARE, CDC 20-128	KJR
3	3/4/2020	ADDED LOCK WASHER, X174112, AND DERATED SWITCH TO 250 V MAX	NK
2	2/20/2019	LIQUID LEVEL ACTIVATION LINE CHANGED FROM 6.08 TO 4.50 INCHES	NK

MANUFACTURED BY  
**Clark-Reliance®**  
16633 FOLTZ PARKWAY  
STRONGSVILLE, OH 44149 USA  
(440) 572-1500 | www.clarkreliance.com  
© Clark-Reliance® Corporation. All Rights Reserved.

**RELIANCE®**  
LIQUID LEVEL SWITCH ASSEMBLY: 150#: EA100G

PART NUMBER: **REA100G 150**  
TOLERANCE CLASS (PER PES-004): **D**  
MATERIAL: **SEE BOM**  
REVISION: **5 PER CDC 20-294/KJR**  
DRAWN: **DMB** DRAWING NO.: **EA1345** REV.: **5**  
CHECKED: **SRM**  
DATE: **4/13/2015**