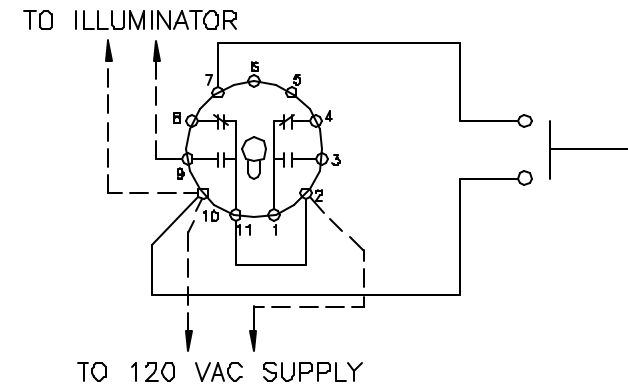
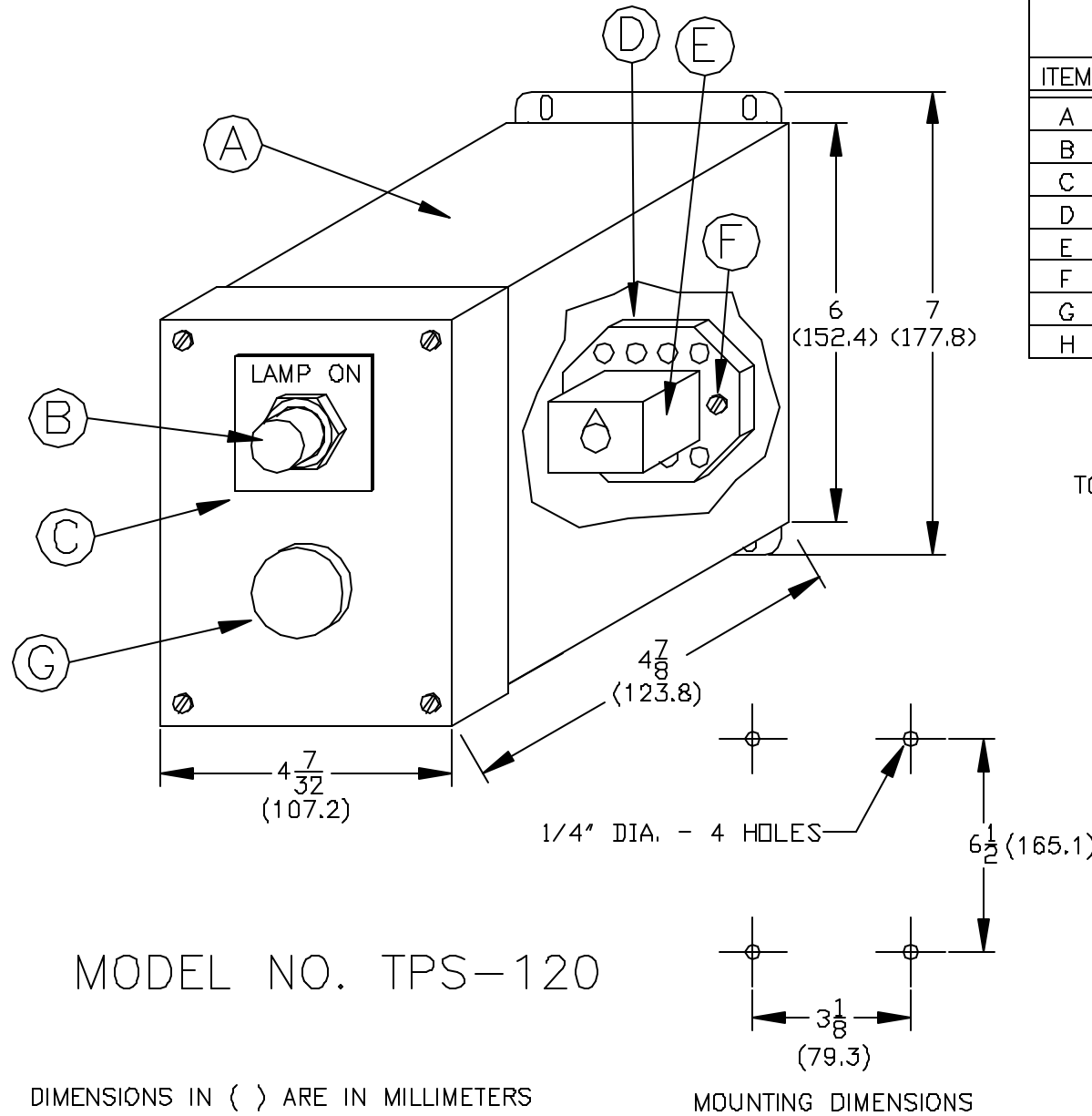


BILL OF MATERIAL

ITEM	QTY.	PART NO.	DESCRIPTION	DWG. NO.
A	1	ECTS-1	ENCLOSURE	AB16928
B	1	PS-5	PUSH BUTTON	
C	1	PS-6	PLATE	MS7055
D	1	ECID-49	SOCKET	
E	1	ECID-58	TIMING RELAY	
F	1	X172895	8-32x3/8 RHMS	
G	1	ECTS-6	HOLE SEAL	
H	1	FG40-8	NAMEPLATE	



NOTE:

1. TIMER IS FIELD ADJUSTABLE FROM 2 TO 180 SECONDS
2. TO OPERATE: PUSH BUTTON TO START TIMER
3. MAXIMUM ILLUMINATORS PER TIMER SWITCH - (24) SIMPLIPOINT LAMPS OR (8) FLAT GLASS GAGE ILLUM.
4. FOR INTERWIRING POWER SWITCH USE 16 GAUGE WIRE (MINIMUM)

MODEL NO. TPS-120

DIMENSIONS IN () ARE IN MILLIMETERS

MOUNTING DIMENSIONS

UNLESS OTHERWISE NOTED				THE CLARK-RELIANCE CORP.	MATERIAL	
TOLERANCES (1)					DRAWN	SCALE
				STRONGSVILLE, OHIO	KHW	NONE
					CHKD.	DATE
					8/19/98	
				TIMER OPERATED 120 VAC	DRAWING NO.	REV.
				ILLUMINATOR POWER SWITCH	MS1043-A	2
2	ADDED NOTES 3, & 4	11/4/98	ST			
1	REDRAWN ON CAD	8/19/98	KHW			
REV	DESCRIPTION	DATE	SIG			
	REVISIONS					