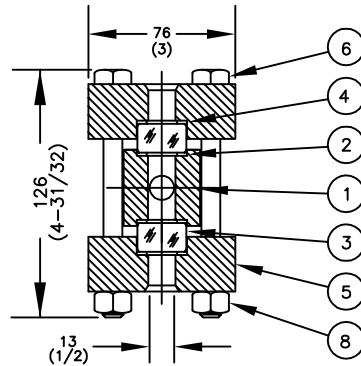
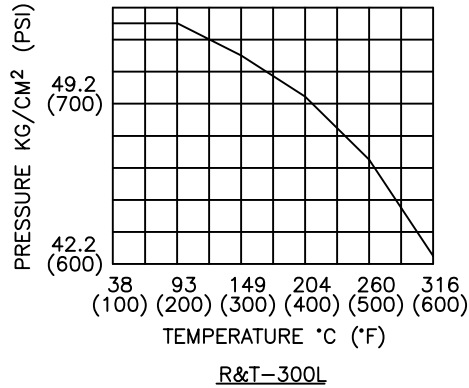
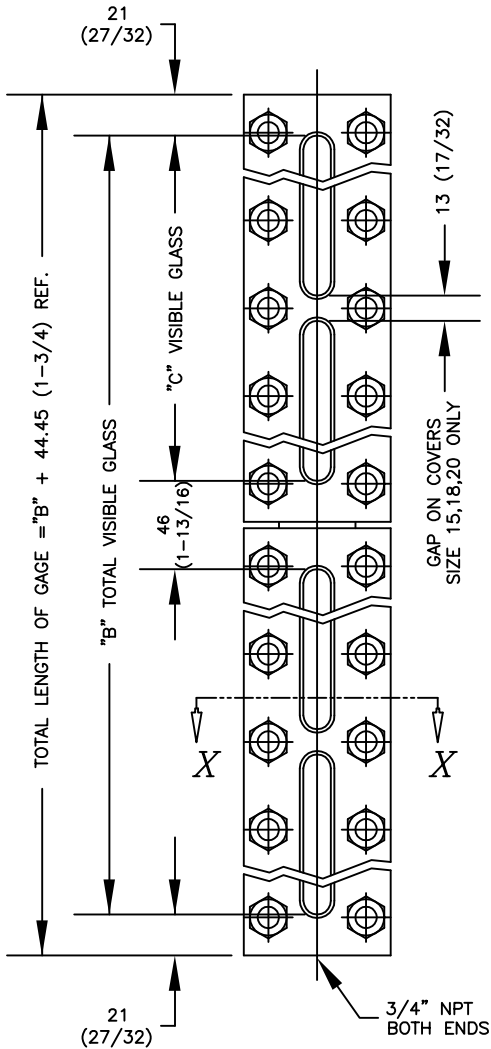


BILL OF MATERIAL

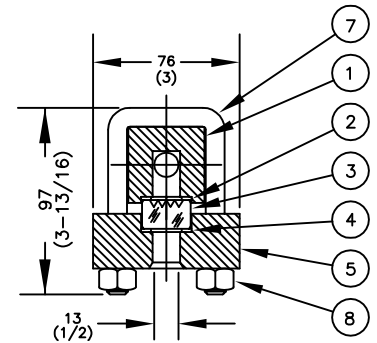
PIECE NO.	NAME OF PART		QUAN. T	QUAN. R	MATERIAL	PART NO.	REMARKS
1	CHAMBER	TRANS	1	1	STEEL	V-19243- -A44	ASTM A696
		REFLEX				V-19331- -A44	ASTM A696
2	GASKET				IFG5500	V-19469-	
3	GLASS	TRANS	2/ SECT.	1/ SECT.	TEMPERED GLASS	L-1412-	
		REFLEX				L-1413-	
4	CUSHION				IFG5500	V-19469-	
5	COVER				STEEL	V-19607- -A11	ASTM A36
6	BOLT				ALLOY STL	P-263-B71	ASTM A193 GR.B7
7	U-BOLT				ALLOY STL	P-256-B71	ASTM A193 GR.B7
8	NUT				STEEL	V-11062-2HA	ASTM A194 GR.2H
9	RATING TAG		1			V-19348-	

MAX. STEAM RATING FOR SERIES 300L REFLEX GAGES IS 300 W.S.P.

NOTE: DIMENSIONS IN mm W/ INCH EQUIVALENTS IN PARENTHESES.



SECTION X-X
SERIES T-300L



SECTION X-X
SERIES R-300L

SIZE NO.	QUAN. PER SECT.			DIM. "C" IN mm (INCHES)	COVER TIEBAR	NUMBER OF SECTIONS					
	BOLT	U-BOLT	NUT			DIMENSION "B" IN MILLIMETERS (INCHES)					
						1	2	3	4	5	6
11	12	6	12	260 (10.25)	NO	260 (10.25)	568 (22.375)	876 (34.5)	1181 (46.5)	1490 (58.625)	1797 (70.75)
12	14	7	14	286 (11.25)	NO	286 (11.25)	619 (24.375)	953 (37.5)	1283 (50.5)	1617 (63.625)	1949 (76.75)
13	16	8	16	311 (12.25)	NO	311 (12.25)	670 (26.375)	1029 (40.5)	1384 (54.5)	1744 (68.625)	2102 (82.75)
15	18	9	18	362 (14.25)	YES	362 (14.25)	772 (30.375)	1181 (46.5)	1588 (62.5)	1998 (78.625)	2407 (94.75)
18	20	10	20	438 (17.25)	YES	438 (17.25)	924 (36.375)	1410 (55.5)	1892 (74.5)	2379 (93.625)	2864 (112.75)
20	24	12	24	489 (19.25)	YES	489 (19.25)	1026 (40.375)	1562 (61.5)	2096 (82.5)	2633 (103.625)	3169 (124.75)

4	REDRAWN & NEW BOLTING	10/15/98	
3	CHANGED TO V-19469	5/29/98	
2	DIMENSION CORRECTION	9/19/97	
1	REDRAWN & UPDATED	2/6/97	
SYM	REVISION	DATE	APP

SERIES 300L GAGES
300# ANSI RATED
3/4" NPT END CONN.

JERGUSON
GAGE & VALVE CO.
STRONGSVILLE, OHIO, U.S.A.

SCALE NONE DATE 10/15/98

DRAWN RMN	FILE NO.
CHECKED MJK	DRAWING NO.
APPROVED	300L-60
	REV. 4