

Designed for use with high viscosity oils. Suitable in all mineral-based and synthetic lubrication fluids. Ultrafine micro-fibrous filter media with internal structural support to ensure pore integrity. High surface area, with maximized contaminant capture sites provides long service life. Engineered for sustained particle reduction in high viscosity oils.

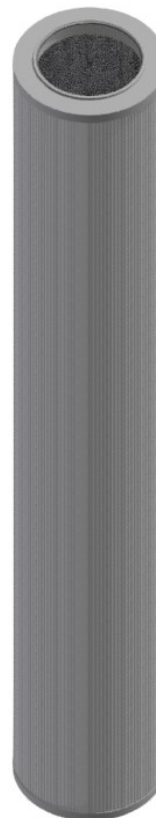
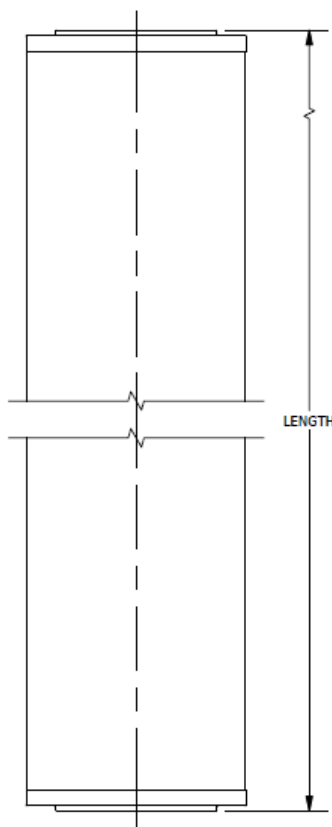
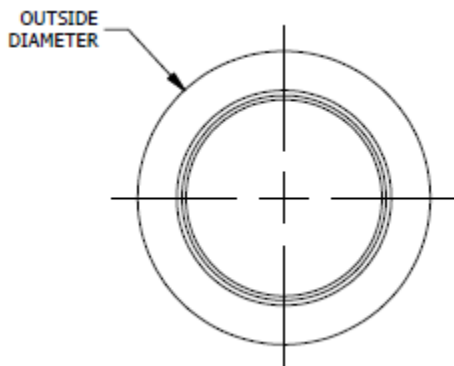
HVF	-	840X	-	1*	-	B	1	A	**
Media Type Microglass		Nominal Length 820X = 16.00" 820 = 18.17" 840X = 34.00" 840 = 36.00"		Micron Rating 1 = 2.5 µm 3 = 5 µm 6 = 7 µm 10 = 10 µm 12 = 12 µm 25 = 25 µm		Seal Material B = Buna N = Neoprene T = PTFE V = FKM	Core & Cap Material 1 = Plated Steel 2 = Stainless Steel		Cap Configuration _ = DOE A = DOE B = SOE C = DOE w/ O-ring

*Beta > 1000 (99.9% for stated micron size)

**Filters using the special field will include a three digit code. Ex. HVF-840-3B1A-001

Recommended Operating Conditions

Flow Direction	Outside → In
Change Out Differential	25 PSID
Maximum Differential	150 PSID
Maximum Temperature	250° F (Buna) 275° F (Viton)



For more information, email PurityProducts@clark-reliance.com