

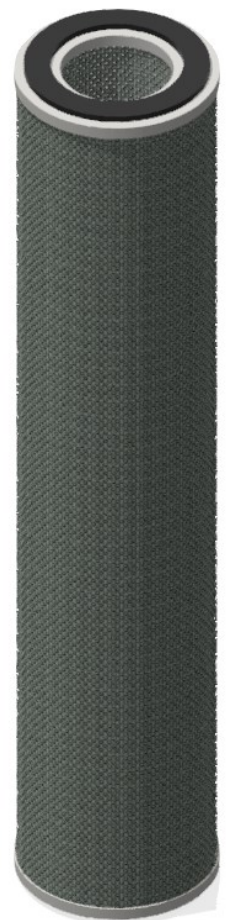
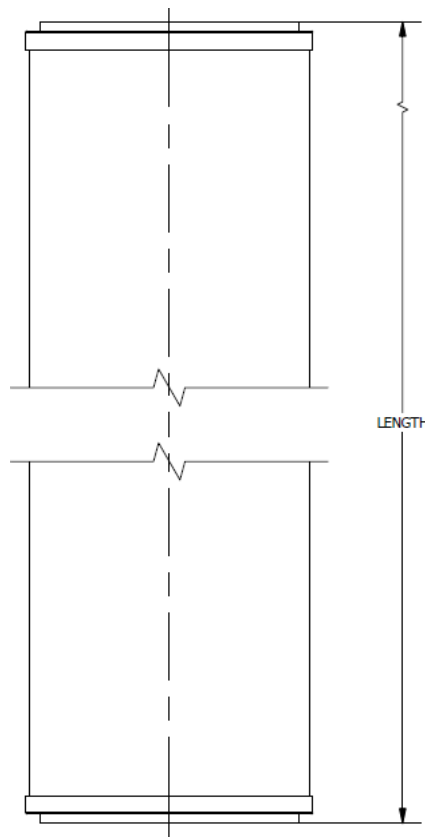
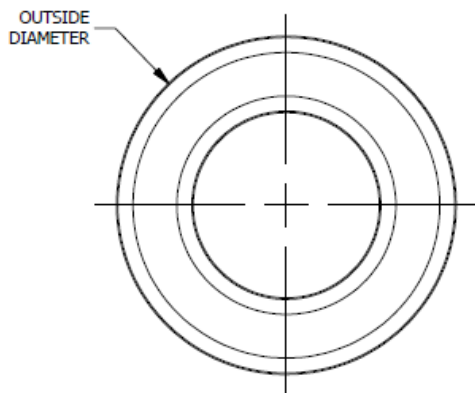
Protect critical natural gas process applications for increased reliability and overall performance. These elements are designed to optimize particle retention, aerosol coalescence, and drainage with low pressure drop. Removal efficiency rating based on ANSI/CAGI 400 testing protocol.

ACR	8	36	-	003	-	H	V	*
Media Type Co-pleated Microglass and Fiberglass	Outside Diameter 8 = 7.750"	Nominal Length 36 = 36.63"		Micron Rating 003 = 0.3 µm		Application Note H = High Temperature	Seal Material B = Buna V = FKM	
Drain Layer Aramid Felt Sleeve								
Cap & Core Material Carbon Steel								

* Filters using the special field will include a three digit code. Example ACR-836-003-V-001

Recommended Operating Conditions

Flow Direction	Inside → Out
Change Out Differential	15 PSID
Maximum Differential	75 PSID
Maximum Temperature	400° F



For more information, email PurityProducts@clark-reliance.com