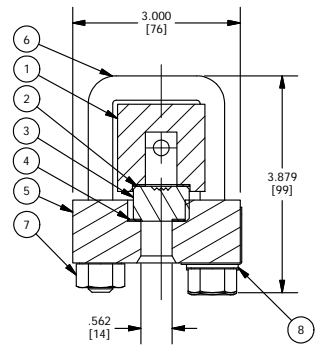
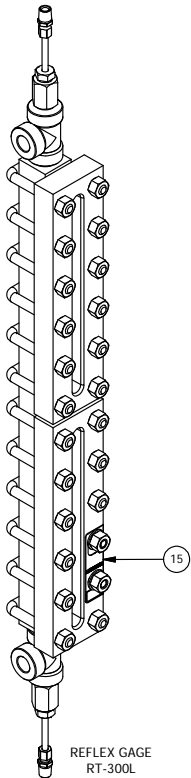


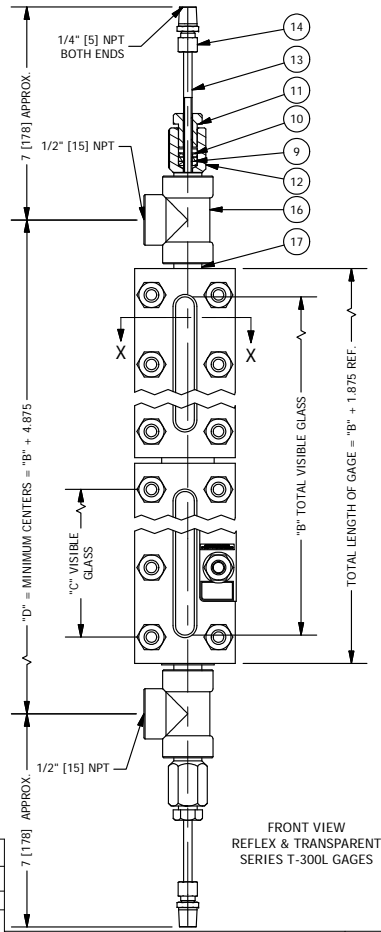
BILL OF MATERIAL (REFLEX GAGE)					BILL OF MATERIAL (REFLEX GAGE)					BILL OF MATERIAL (TRANSPARENT GAGE)					BILL OF MATERIAL (TRANSPARENT GAGE)								
NO.	NAME OF PART	QTY.	MATERIAL	PART NO.	SPECIFICATION	NO.	NAME OF PART	QTY.	MATERIAL	PART NO.	SPECIFICATION	NO.	NAME OF PART	QTY.	MATERIAL	PART NO.	SPECIFICATION	NO.	NAME OF PART	QTY.	MATERIAL	PART NO.	SPECIFICATION
1	CHAMBER	1	CARBON STEEL	V19331 ___ A44	A696 GR.C/A105	10	PACKING RING	2	CARBON STEEL	P254 17 A6	A108	1	CHAMBER	1	CARBON STEEL	V19243 ___ A44	A696 GR.C/A105	9	PACKING RING	4	GRAPHITE/NICR	G143	
2	GASKET	1 PER SECT.	IFG5500	V19469 ___		11	BUSHING	2	CARBON STEEL	P3456 A6	A108	2	GASKET	2 PER SECT.	IFG5500	V19469 ___		10	PACKING RING	2	CARBON STEEL	P254 17 A6	A108
3	GLASS, REFLEX	1 PER SECT.	BOROSILICATE	L1413 ___		12	FITTING	2	CARBON STEEL	P3453 A6	A108	3	GLASS, TRANSPARENT	2 PER SECT.	BOROSILICATE	L1412 ___		11	BUSHING	2	CARBON STEEL	P3456 A6	A108
4	CUSHION	1 PER SECT.	IFG5500	V19469 ___		13	TUBING, 1/4"	1	CARBON STEEL	P2197 A6	A513 OR A519	4	CUSHION	2 PER SECT.	IFG5500	V19469 ___		12	FITTING	2	CARBON STEEL	P3453 A6	A108
5	COVER	1 PER SECT.	CARBON STEEL	V19607 ___ A11	A36	14	FITTING, TUBE	2	CARBON STEEL	S1774 A		5	COVER	2 PER SECT.	CARBON STEEL	V19607 ___ A11	A36	13	TUBING, 1/4"	1	CARBON STEEL	P2197 A6	A513 OR A 519
6	U-BOLT	SEE CHART	ALLOY STEEL	P256 B71	A193 GR.B7	15	TAG, RATING	1	304SS	V21864		6	BOLT	SEE CHART	ALLOY STEEL	P263 B71	A193 GR.B7	14	FITTING, TUBE	2	CARBON STEEL	S1774 A	A108
7	HEAVY HEX NUT	SEE CHART	CARBON STEEL	V11062 2HA	A194 GR.2H	16	1/2"-3000# TEE	2	CARBON STEEL	P2031 A5	A105	7	HEAVY HEX NUT	SEE CHART	CARBON STEEL	V11062 2HA	A194 GR.2H	15	TAG, RATING	1	304SS	V21864	
8	WASHER	2	304SS	V13936 R		17	NIPPLE	2	CARBON STEEL	P700 ___ A47	A53 GR.B	8	WASHER	2	304SS	V13936 R		16	1/2"-3000# TEE	2	CARBON STEEL	P2031 A5	A105
9	PACKING	4	GRAPHITE/NICR	G143														17	NIPPLE	2	CARBON STEEL	P700 ___ A47	A53 GR.B

- NOTES:
1. DIMENSIONS IN INCHES W/ mm EQUIVALENTS IN BRACKETS.
2. REFLEX GAGE RATING VARIANCE:
• 750 PSI (53 KG/CM²) @ 100°F (38°C) (MAX. RATING)
• 605 PSI (43 KG/CM²) @ 600°F (316°C) (MIN. RATING)
(>550°F REQUIRES GRAFOIL GASKETS)
3. MAX SATURATED STEAM RATING FOR REFLEX GAGE IS 300 WSP.
4. REFER TO THE FOLLOWING (FOR):
• CATALOG BULLETIN J100.07 (FULL RATINGS & ADDITIONAL INFORMATION)
• IOM BULLETIN J500.05 (INSTRUCTIONS)
• PRICE SHEET BULLETINS J800.11, 12, 18 (AVAILABLE OPTIONS)
5. CONSULT FACTORY FOR ALTERNATE MATERIAL OPTIONS.

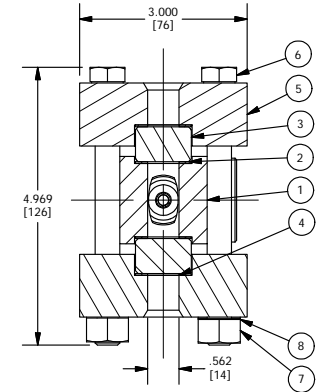
- NOTES:
1. DIMENSIONS IN INCHES W/ mm EQUIVALENTS IN BRACKETS.
2. TRANSPARENT GAGE RATING VARIANCE:
• 750 PSI (53 KG/CM²) @ 100°F (38°C) (MAX. RATING)
• 605 PSI (43 KG/CM²) @ 600°F (316°C) (MIN. RATING)
(>550°F REQUIRES GRAFOIL GASKETS)
3. TRANSPARENT GAGE (W/ MICA) SATURATED STEAM RATING 300 WSP.
4. REFER TO THE FOLLOWING (FOR):
• CATALOG BULLETIN J100.07 (FULL RATINGS & ADDITIONAL INFORMATION)
• IOM BULLETIN J500.05 (INSTRUCTIONS)
• PRICE SHEET BULLETINS J800.11, 12, 18 (AVAILABLE OPTIONS)
5. CONSULT FACTORY FOR ALTERNATE MATERIAL OPTIONS.



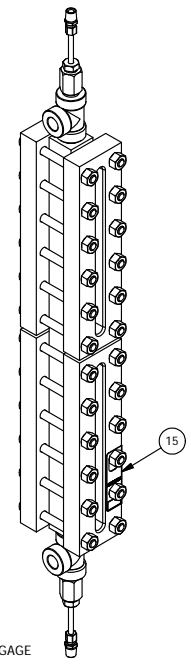
SECTION X-X
SERIES RT-300L



FRONT VIEW
REFLEX & TRANSPARENT
SERIES T-300L GAGES



SECTION X-X
SERIES TT-300L



TRANSPARENT GAGE
TT-300L

SIZE NO.	QUAN. PER SECT.		DIM. "C"	COVER TIEBAR	NUMBER OF SECTIONS					
	10B	JUN			DIMENSION "B"					
					1	2	3	4	5	6
11	12	6	12	NO	10.250 [260]	22.375 [568]	34.500 [876]	46.500 [1181]	58.625 [1490]	70.750 [1797]
12	14	7	14	NO	11.250 [286]	24.375 [619]	37.500 [953]	50.500 [1283]	63.625 [1617]	76.750 [1949]
13	16	8	16	NO	12.250 [311]	26.375 [670]	40.500 [1029]	54.500 [1384]	68.625 [1744]	82.750 [2102]
15	18	9	18	YES	14.250 [362]	30.375 [772]	46.500 [1181]	62.500 [1588]	78.625 [1998]	94.750 [2407]
18	20	10	20	YES	17.250 [438]	36.375 [924]	55.500 [1410]	74.500 [1892]	93.625 [2379]	112.750 [2864]
20	24	12	24	YES	19.250 [489]	40.375 [1026]	61.500 [1562]	82.500 [2096]	103.625 [2633]	124.750 [3169]

MANUFACTURED BY
Clark-Reliance®
16633 FOLTZ PARKWAY
STRONGSVILLE, OH 44149 USA
(440) 572-1500 | www.clarkreliance.com
© Clark-Reliance® Corporation. All Rights Reserved.

JERGUSON®
SERIES RT&TT-300L GAGE
INTERNALLY HEATED-COOLED
W/ VALVE CONNECTIONS ON SIDE

DRAWN: TJP
CHECKED: MK
DATE: 3/14/2017
REVISION: 2
DRAWING NO.: **T300L-04**
REV.: **2**

THIS DRAWING CONTAINS MATERIAL THAT IS CONFIDENTIAL AND/OR PRIVILEGED FOR THE SOLE USE OF THE INTENDED RECIPIENT. ANY REVIEW, RELIANCE OR DISTRIBUTION BY OTHERS OR FORWARDING WITHOUT EXPRESS PERMISSION IS STRICTLY PROHIBITED.