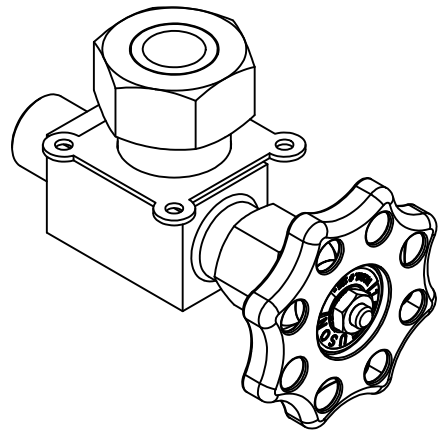


TOP VALVE BILL OF MATERIAL (P/N: 125 2 5 07AP)

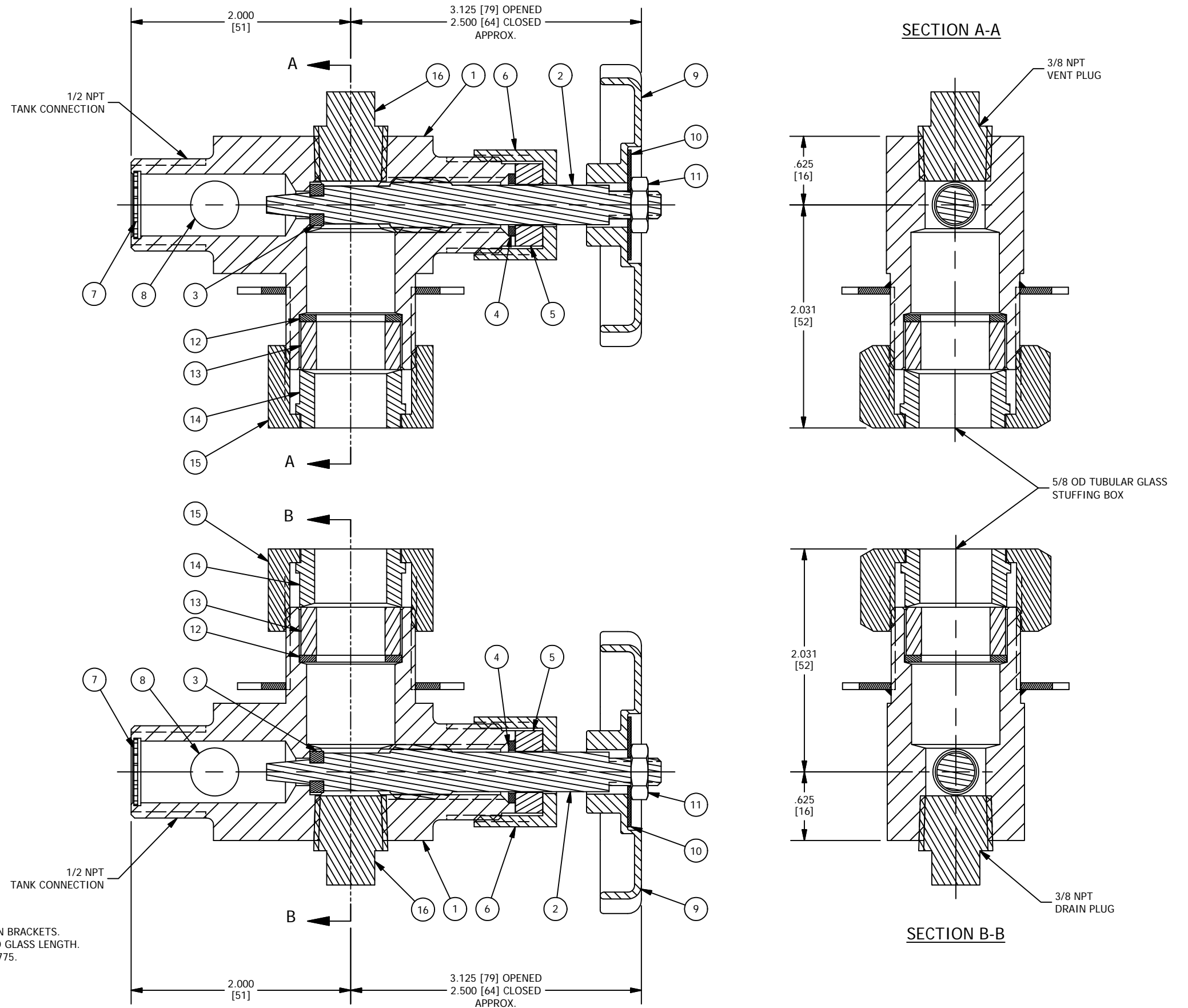
NO.	NAME OF PART	QTY.	MATERIAL	PART NO.	SPECIFICATION	DWG. NO.
1	BODY, VALVE SUB-ASSEMBLY	1	CARBON STEEL	V21740 A		V-21740
2	STEM	1	316SS	V18837 TL2	A276 OR A479	V-18837
3	WASHER, VALVE SEAL	1	TEFLON	V18844		V-18844
4	WASHER, STEM PACKING	1	316SS	X174282		V-21748
5	PACKING, STEM	1	GRAPHITE	V18843		V-18843
6	NUT, STEM PACKING	1	CARBON STEEL	V18840 A6	A108	V-18840
7	STOP, BALL CHECK	1	410SS	X177300		V-21748
8	BALL CHECK	1	316SS	V18852		V-21748
9	HANDWHEEL	1	ALUMINUM	V18851		V-21748
10	TAG	1	304SS	V18877		V-18877
11	NUT, STEM	1	CARBON STEEL	X171292		V-21748
12	WASHER	1	316SS	V18863 1 T		V-21738
13	PACKING	1	EPDM	V18845 1		V-21736
14	GLAND	1	CARBON STEEL	V18839 A6	A108	V-18839
15	NUT, GLASS PACKING	1	CARBON STEEL	V18841 A6	A108	V-18841
16	PLUG	1	CARBON STEEL	P772 A	A105	P-772

BOTTOM VALVE BILL OF MATERIAL (P/N: 125 2 5 08AP)

NO.	NAME OF PART	QTY.	MATERIAL	PART NO.	SPECIFICATION	DWG. NO.
1	BODY, VALVE SUB-ASSEMBLY	1	CARBON STEEL	V21740 A		V-21740
2	STEM	1	316SS	V18837 TL2	A276 OR A479	V-18837
3	WASHER, VALVE SEAL	1	TEFLON	V18844		V-18844
4	WASHER, STEM PACKING	1	316SS	X174282		V-21748
5	PACKING, STEM	1	GRAPHITE	V18843		V-18843
6	NUT, STEM PACKING	1	CARBON STEEL	V18840 A6	A108	V-18840
7	STOP, BALL CHECK	1	410SS	X177300		V-21748
8	BALL CHECK	1	316SS	V18852		V-21748
9	HANDWHEEL	1	ALUMINUM	V18851		V-21748
10	TAG	1	304SS	V18877		V-18877
11	NUT, STEM	1	CARBON STEEL	X171292		V-21748
12	WASHER	1	304SS	V13936 R		V-13936
13	PACKING	1	EPDM	V18845 1		V-21736
14	GLAND	1	CARBON STEEL	V18839 A6	A108	V-18839
15	NUT, GLASS PACKING	1	CARBON STEEL	V18841 A6	A108	V-18841
16	PLUG	1	CARBON STEEL	P772 A	A105	P-772



NOTES:
 1. DIMENSIONS IN INCHES W/ mm EQUIVALENTS IN BRACKETS.
 2. VALVE RATING VARIES WITH TEMPERATURE AND GLASS LENGTH.
 3. FOR PACKAGING, REFER TO BOX DRAWING V-21775.



MANUFACTURED BY
Clark-Reliance®
 16633 FOLTZ PARKWAY
 STRONGSVILLE, OH 44149 USA
 (440) 572-1500 | www.clarkreliance.com
 © Clark-Reliance® Corporation. All Rights Reserved.

JERGUSON®

125 VALVE SET (CS/316SS, NACE)
 1/2" MNPT X 5/8" OD X 3/8" FNPT

DRAWN: SSF
 CHECKED: MK
 DATE: 2/19/2014
 REVISION: 0
 DRAWING NO.: 125-2-5-07/08AP
 REV.: 0