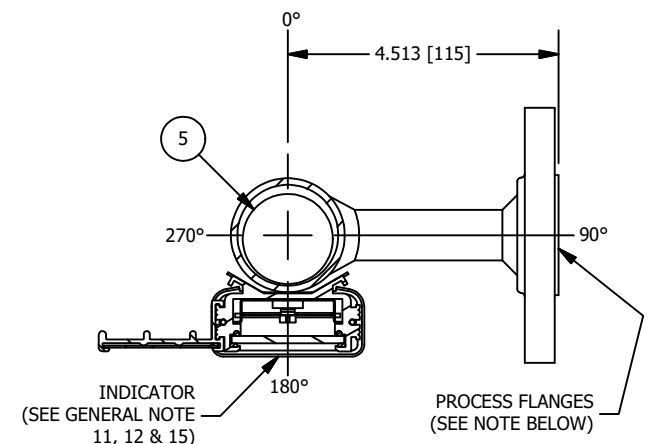
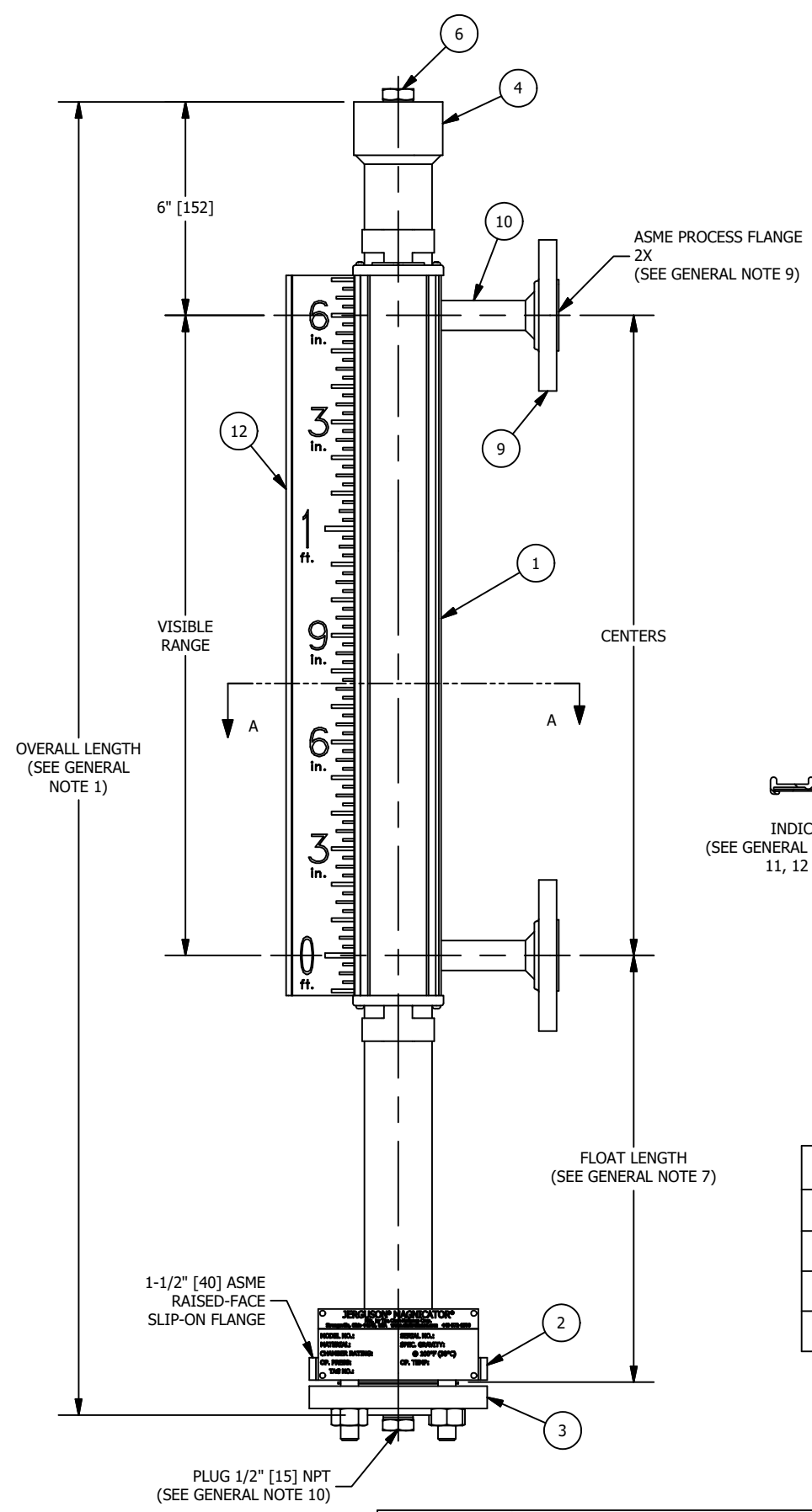


**GENERAL NOTES:**

1. DIMENSIONS
  - SHOWN IN INCHES W/ MM EQUIVALENTS IN BRACKETS
  - OVERALL LENGTH = CENTERS + FLOAT LENGTH + MATING FLANGE THICKNESS + 6.063" [154]
2. OPERATING CONDITIONS
  - MAX PRESSURE, MAX TEMPERATURE, & MIN SPECIFIC GRAVITY REQUIRED FOR PROPER GAGE DESIGN
3. PART NUMBER
  - CONSULT "MAGNicator® SPECIFICATION GUIDE" (BULLETIN M100.30) FOR COMPLETE PART NUMBER DETAILS & LIST OF AVAILABLE OPTIONS
4. STANDPIPE SIZE
  - 1 1/2" [40] SCH. 10 (STANDARD)
5. MATERIALS OF CONSTRUCTION
  - 304/304LSS W/ CS TRIM (FLANGES, BOLTING, & PLUGS; LTCS CAP) (STANDARD)
  - 316/316LSS W/ CS TRIM (FLANGES, BOLTING, & PLUGS; LTCS CAP) (STANDARD)
  - ALL 304/304LSS (CS BOLTING) (STANDARD)
  - ALL 316/316LSS (CS BOLTING) (STANDARD)
  - CONSULT "MAGNicator® SPECIFICATION GUIDE" (BULLETIN M100.30) FOR A COMPLETE LIST OF AVAILABLE MATERIALS
6. FLOAT MATERIALS
  - TITANIUM (STANDARD)
7. FLOAT LENGTHS
  - 12" [305] (STANDARD)
  - 17" [432] (STANDARD)
  - 22" [559] (STANDARD)
  - LENGTHS DEPENDENT ON OPERATING CONDITIONS
  - CONSULT FACTORY FOR CUSTOM LENGTHS
8. GASKET MATERIALS
  - GARLOCK IFG5500 (MAX TEMPERATURE ≤ 550°F) (STANDARD)
  - GRAFOIL®/ (MAX TEMPERATURE > 550°F) (STANDARD)
  - CONSULT FACTORY FOR OPTIONAL GASKET MATERIALS
9. PROCESS CONNECTIONS
  - 1/2" [15] THRU 2" [65] ASME RAISED-FACE SLIP-ON FLANGES W/ 1/2" [15] SCH. 10 NIPPLE (STANDARD)
  - ADDITIONAL SIZES AVAILABLE ON REQUEST (MAY REQUIRE INCREASE IN SECTION A-A DIMENSION SHOWN)
  - RAISED-FACE DIN FLANGES AVAILABLE ON REQUEST
  - (2) SIDE CONNECTIONS (STANDARD)
  - (2+) SIDE CONNECTIONS AVAILABLE ON REQUEST
10. VENT / DRAIN CONNECTIONS
  - 1/2" [15] THRU 1" [25] FNPT, MNPT, FSW, & MSW
  - 1/2" [15] TO 3" [80] RAISED-FACE ASME & DIN FLANGED
11. INDICATION
  - WIDE INDICATOR (1-1/2" FLAG), SEALED (NEMA4X) IN ANODIZED ALUMINUM HOUSING (STANDARD)
  - WIDE INDICATOR (1-1/2" FLAG), HERMETICALLY SEALED (IP68) IN POLYCARBONATE TUBE, SS FRAME
  - CONVENTIONAL INDICATOR (3/4" FLAG), SEALED (NEMA4X) IN ANODIZED ALUMINUM HOUSING
  - CONVENTIONAL INDICATOR (3/4" FLAG), HERMETICALLY SEALED (IP68) IN POLYCARBONATE TUBE, SS FRAME
  - CONVENTIONAL INDICATOR (3/4" FLAG), HERMETICALLY SEALED (IP68) IN GLASS TUBE, SS FRAME
  - NIGHTSTAR™ ILLUMINATED CONVENTIONAL INDICATOR (3/4" FLAG), SEALED IN ANODIZED ALUMINUM HOUSING (120 OR 240 VAC)(BULLETIN M100.140)
  - YELLOW (LIQUID)/BLACK (VAPOR) FLAG COLORS STANDARD.
  - ALTERNATE OPTION OF RED (LIQUID)/WHITE (VAPOR) AVAILABLE
  - CONSULT FACTORY FOR OTHER FLAG COLOR OPTIONS
12. SCALES
  - FEET / INCHES (SHOWN) (STANDARD)
  - METER / MILLIMETER
  - PERCENT
  - CONSULT FACTORY FOR SPECIAL SCALES
13. POINT LEVEL SWITCHES
  - RS-2 (SPDT) HERMETICALLY-SEALED REED (BULLETIN M100.20)
  - RS-2/2 (DPDT) HERMETICALLY-SEALED REED (BULLETIN M100.20)
14. 4-20mA TRANSMITTERS
  - JMT SERIES MAGNETOSTRICTIVE (BULLETIN M100.28)
  - RST2 REED SWITCH (BULLETIN M100.22)
15. NON-FROST EXTENSION RECOMMENDED FOR SERVICE BELOW 0°F (-18°C) OR WHEN COLD INSULATION WILL BE APPLIED.

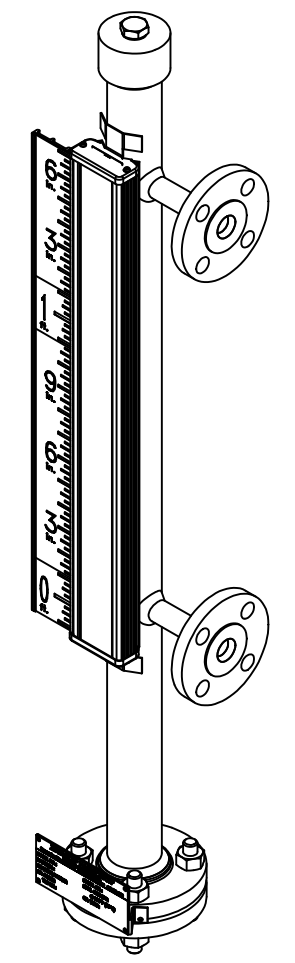
BILL OF MATERIAL			
NO.	NAME OF PART	MATERIAL	REMARKS
1	STANDPIPE		
2	FLANGE, SLIP-ON		
3	FLANGE, THREADED		
4	CAP		
5	FLOAT		
6	PLUG		
7	STUD		
8	HEAVY HEX NUT		
9	PROCESS FLANGE		
10	NIPPLE		
11	GASKET		
12	INDICATOR		



**SECTION A-A**

NOTE: AS STANDARD, PROCESS FLANGES WILL BE ORIENTED AT 0°. THEY ARE SHOWN IN THIS DRAWING AT 90° FOR EASE OF VIEWING.

OPERATING CONDITIONS	
MAX PRESSURE	
MAX TEMPERATURE	
MIN SPECIFIC GRAVITY	
PROCESS FLUID	



REV	DATE	REVISION	BY
0	11/7/2023	NEW DRAWING TO REFLECT NEW MODEL NUMBER SCHEME	BJK

MANUFACTURED BY  
**Clark-Reliance**®  
 16633 FOLTZ PARKWAY  
 STRONGSVILLE, OH 44149 USA  
 (440) 572-1500 | www.clarkreliance.com  
 © Clark-Reliance® LLC. All Rights Reserved.

**JERGUSON**®  
**MODEL MII-15B-CM MAGNicator**  
**W/ FLANGED PROCESS CONNECTIONS**  
**(150-300# ASME FLANGES)**

DRAWN: BJK	REV:
CHECKED: MBV	
DATE: 11/7/2023	
REVISION: 0	
DRAWING NO.: MII-15B-CM-2F	REV: 0