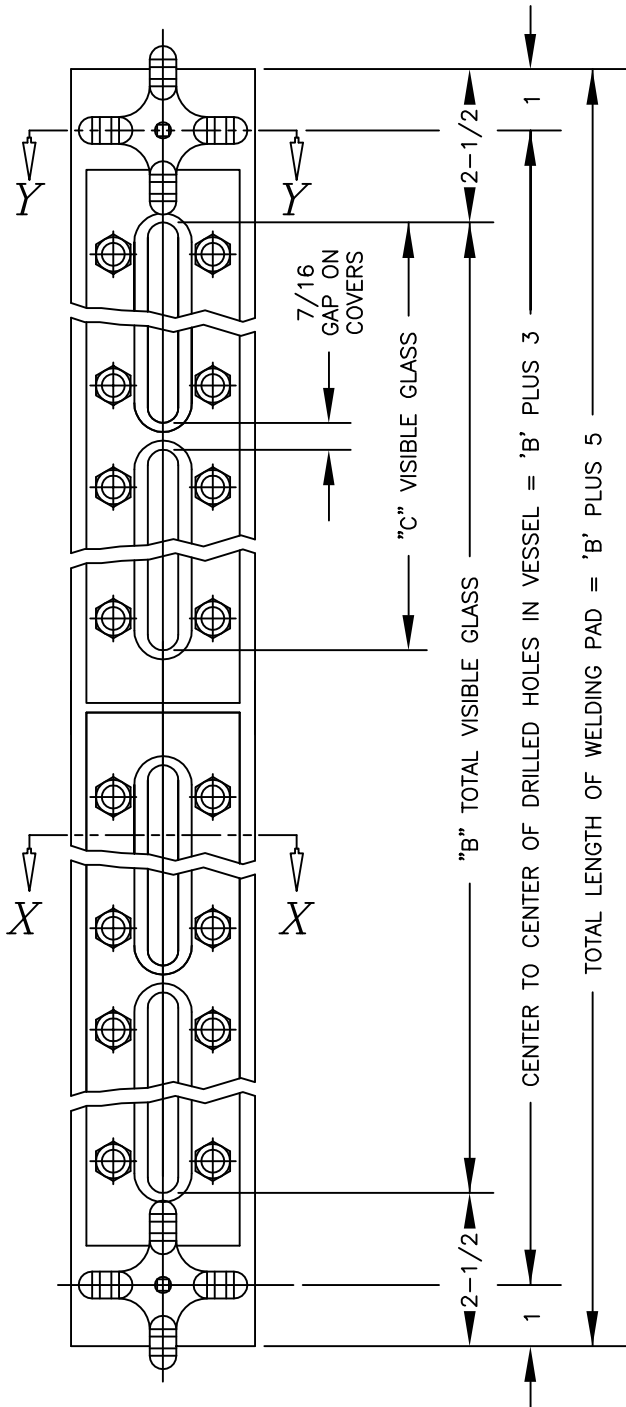


BILL OF MATERIAL

PIECE NO.	NAME OF PART	QTY.	MATERIAL	PART NO.	SPECIAL MATERIAL	PART NO.	
1	CHAMBER	1	STEEL	S-17255- -A			
2	COVER	1 PER SECTION	STEEL	V-11381- -A6			
3	GLASS		TEMPERED GLASS	V-16757-			
4	GASKET	2 PER SECTION	IFG5500	V-19469-			
5	BOLT	SEE CHART	STEEL	V-11080-B71			
6	BONNET	2	STEEL	S-10810-A-ASSY	316L SS	S-9055-T * SEE NOTE	
7	PACKING	2	GPH/NICR		TEFLON		
8	GLAND	2	STEEL		316 SS		
9	PACKING NUT	2	STEEL		316 SS		
10	STEM	2	416 SS		316 SS		
11	HANDWHEEL	2	MAL. IRON		MAL. IRON		
12	STEM NUT	2	STEEL		STEEL		
13	RATING TAG	1	SS		P-1160-1-F		SS

RATINGS	
1600 PSI @ 100°F	
1200 PSI @ 500°F	

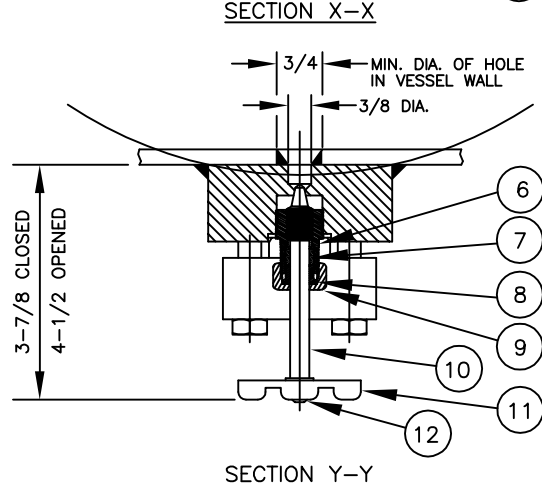
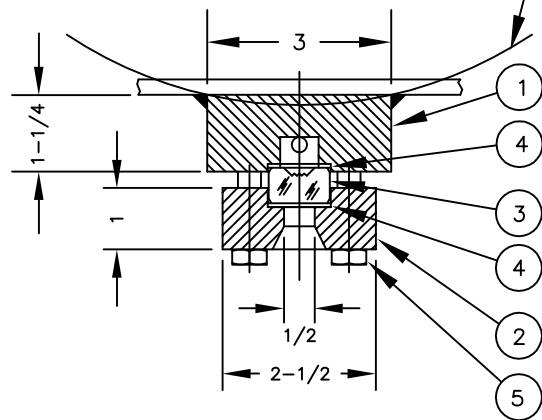
* NOTE: FOR ALL CHAMBER MATERIALS OTHER THAN STEEL, USE PART NO. S-9055-T.



SIZE NO.	BOLTS PER SECT.	DIM. 'C' IN INCHES	NUMBER OF SECTIONS			
			DIMENSION 'B' IN INCHES			
			1	2	3	4
15	18	14-1/4	14-1/4	30-3/8	46-1/2	62-1/2
18	22	17-1/4	17-1/4	36-3/8	55-1/2	74-1/2
20	24	19-1/4	19-1/4	40-3/8	61-1/2	82-1/2

NOTE:
1. GLASS AVAILABLE IN SIZES 15, 18, AND 20 ONLY.
FOR SMALLER SIZES SEE DRAWING R20-IW00.

GAGE CAN BE FURNISHED WITH CURVED PAD TO FIT RADIUS OF TANK OR STANDPIPE.



9	300L/REVISED RATINGS	3/10/06	MJK
8	REDRAWN & UPDATED	1/16/02	MJK
SYM	REVISION	DATE	APP

ISOLABLE RIW-300L
WELDING PAD GAGES

JERGUSON
GAGE & VALVE CO.
STRONGSVILLE, OHIO, U.S.A.

DRAWN LMC	FILE NO.
CHECKED MJK	DRAWING NO. R300L-IW00
APPROVED	REV. 9

SCALE NONE DATE 7/19/96