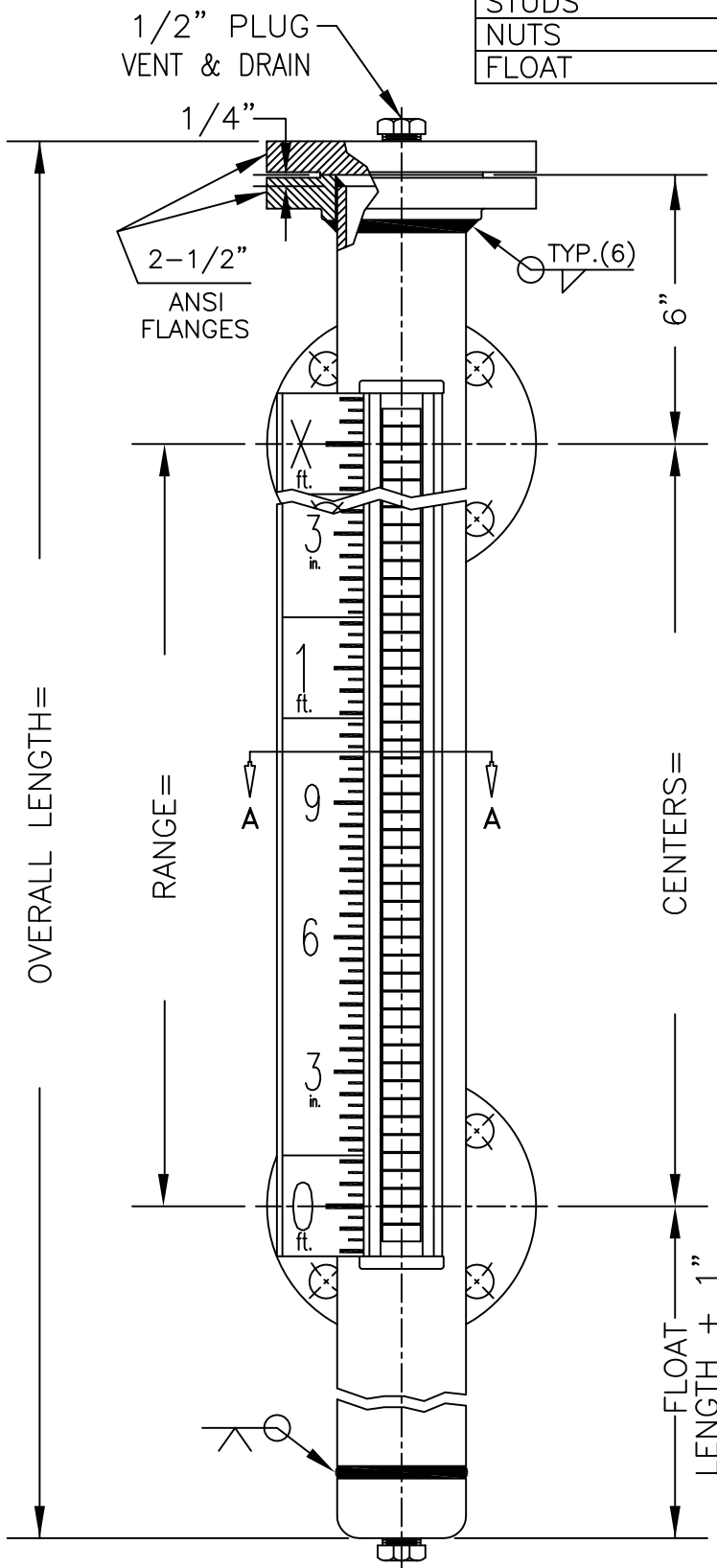


STANDARD BILL OF MATERIAL: MIIH-SF-INV

NAME OF PART	MATERIAL	REMARKS
STAND PIPE/NIPPLES	(PER ORDER)	
FLANGES/CAP/PLUGS	(PER ORDER)	
FLANGE GASKET	GARLOCK 3200	
STUDS	ASTM A193 GR.B7	
NUTS	ASTM A194 GR.2H	
FLOAT	(PER ORDER)	



OPERATING:

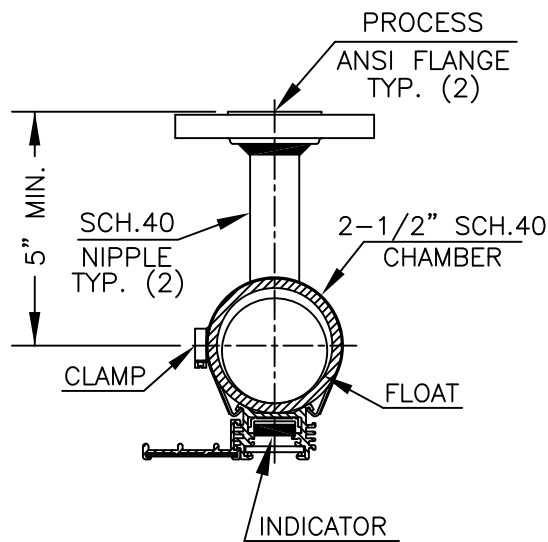
PRESS.:

TEMP.:

SERVICE:

SP. GR.:

FLUID:



SECTION A-A

MODEL MIIH-SF
MAGNIFICATOR II
(TO 300# ANSI)

JERGUSON
GAGE & VALVE CO.
STRONGSVILLE, OHIO, U.S.A.

FILE NO:
DRAWING NO.
MIIH-SF1-INV

REF:

DRAWN BY:

MBV

REV: 0

CHECKED BY:

APPROVED BY:

DATE:

6/3/08

SCALE: NONE