

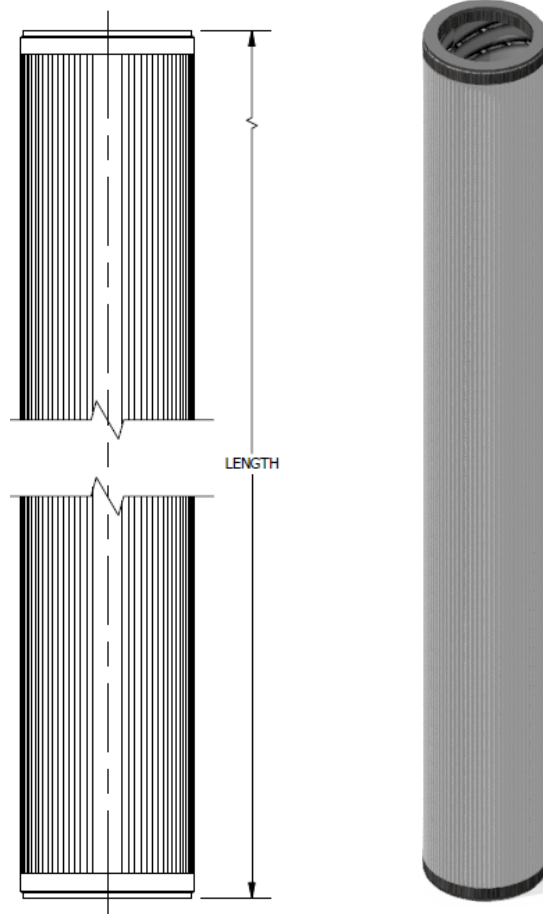
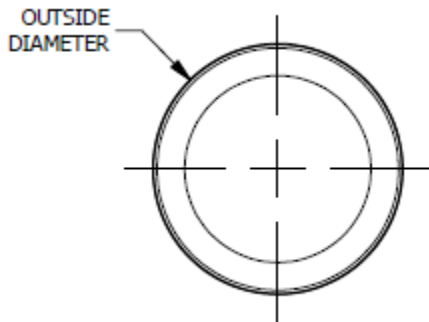
Absolute particle retention delivers the lowest single pass particle counts, differential pressure, and reduced flush times. Premium pleated microglass media maximizes surface area for greater dirt-holding capacity, longer service life, and reduced cost of ownership.

CRSF	3	36	-	01	-	B	CE	*
Media Type Pleated Microglass	Outside Diameter _ = 3.000" 3 = 4.580" 5 = 5.550" 6 = 6.000"	Nominal Length 16 = 16.00" 24 = 24.00" 36 = 36.00" 72 = 72.00"		Micron Rating 01 = 1 µm 05 = 5 µm 10 = 10 µm		Seal Material B = Buna N = Neoprene V = FKM	Cap Configuration _ = DOE CE = SOE w/ Bolt Hole CP = SOE w/ Post EX = Extended Gasket SS = 304 Stainless Caps/Cores XH = Heavy Walled Core	
Cap & Core Material Plated Steel								

* Filters using the special field will include a three digit code. Example CRSF-336-01-BCE-001

Recommended Operating Conditions

Flow Direction	Outside → In
Change Out Differential	15 PSID
Maximum Differential	75 PSID
Maximum Temperature	250° F (Buna) 275° F (Viton)



For more information, email PurityProducts@clark-reliance.com