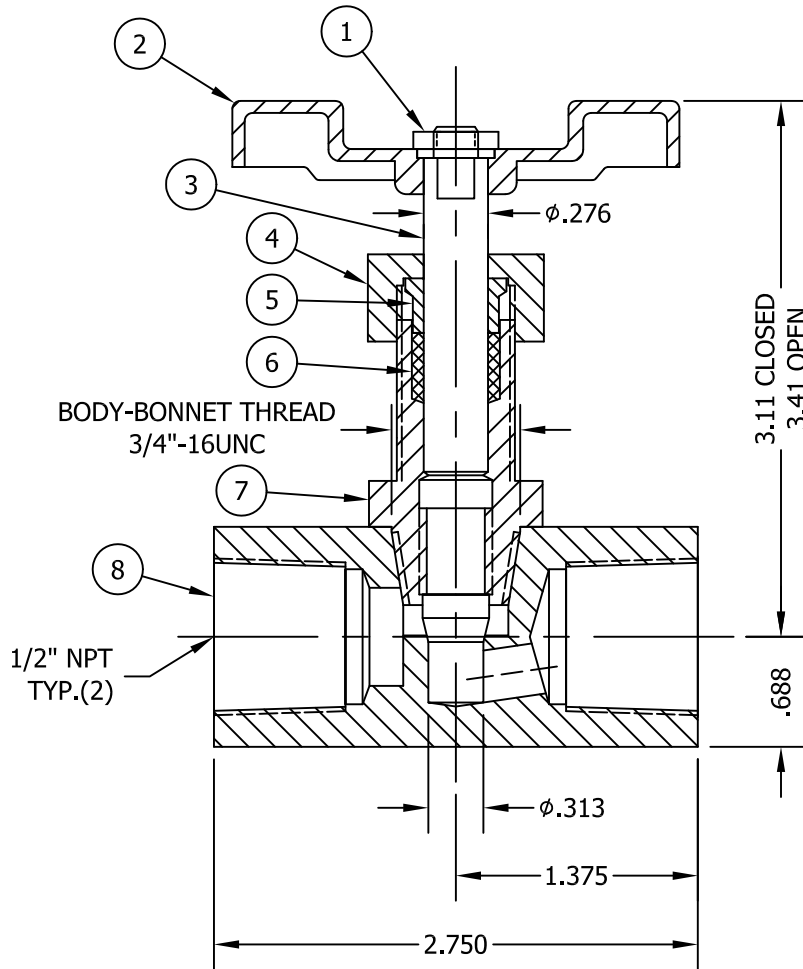


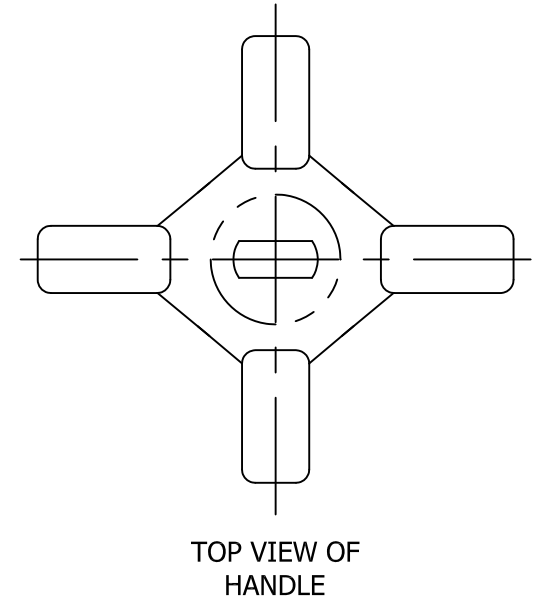
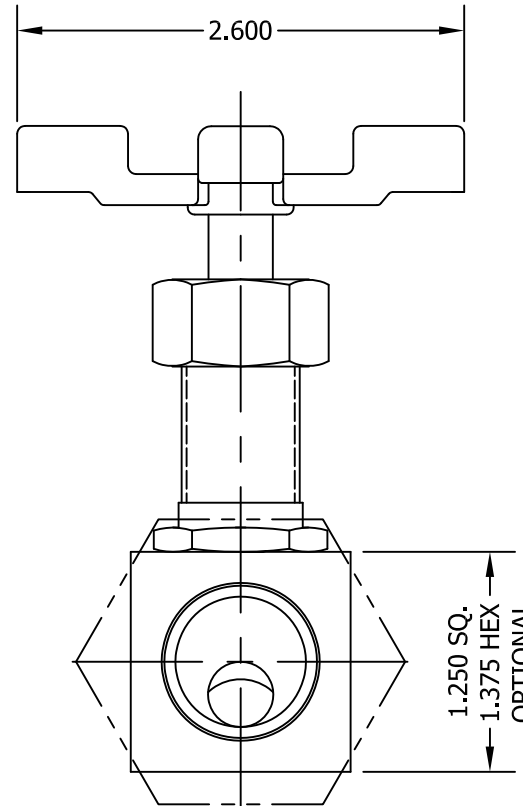
VALVE, 1/2" GLOBE

JERGUSON®

|                                |                      |         |
|--------------------------------|----------------------|---------|
| DRAWN: AA                      | DRAWING NO.: GD-1990 | REV.: 6 |
| CHECKED: MK                    |                      |         |
| DATE: 6/8/2012                 |                      |         |
| REVISION: 6 PER CDC 12-206/AA  |                      |         |
| MATERIAL:                      |                      |         |
| TOLERANCE CLASS (PER PES-004): |                      |         |
| PART NUMBER: SEE TABLE         |                      |         |



RATING: 10,000 PSIG To 600°F



| P/N | NAME OF PART   | A21917              | A21918         |
|-----|----------------|---------------------|----------------|
|     |                | MATERIAL            |                |
| 1   | STEM NUT       | STEEL               | STEEL          |
| 2   | HANDLE         | MALLEABLE IRON      | MALLEABLE IRON |
| 3   | STEM           | 316 SS              | 316 SS         |
| 4   | GLAND NUT      | STEEL               | 316 SS         |
| 5   | GLAND FOLLOWER | SINTERED NICKEL STL | AUSTENITIC SS  |
| 6   | PACKING        | GRAFOIL             | GRAFOIL        |
| 7   | BONNET         | STEEL               | 316 SS         |
| 8   | BODY           | STEEL               | 316 SS         |