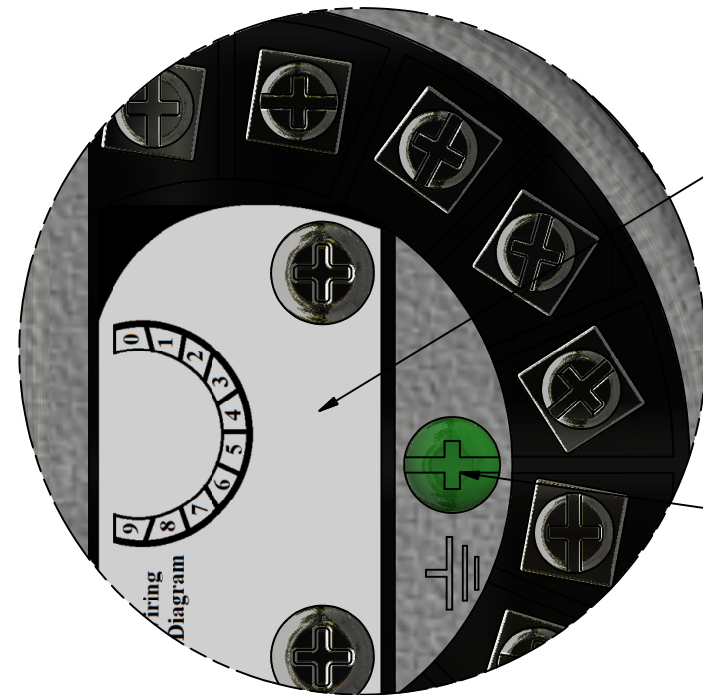
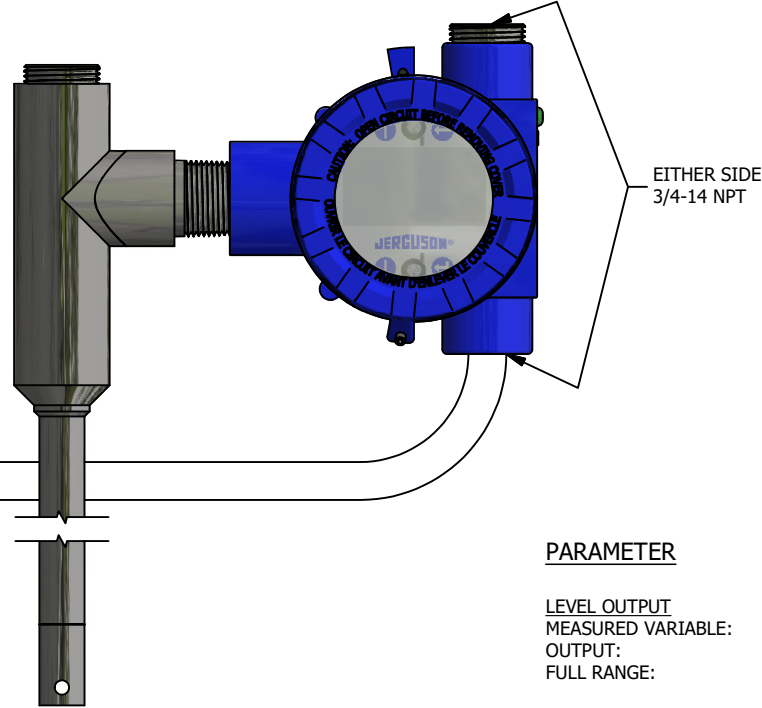
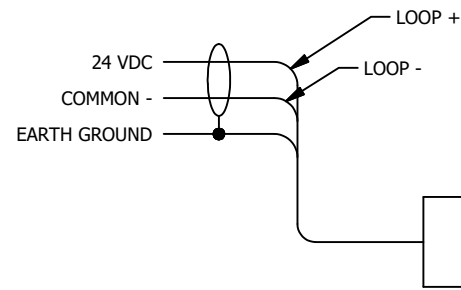


NON-HAZARDOUS LOCATION

HAZARDOUS LOCATION

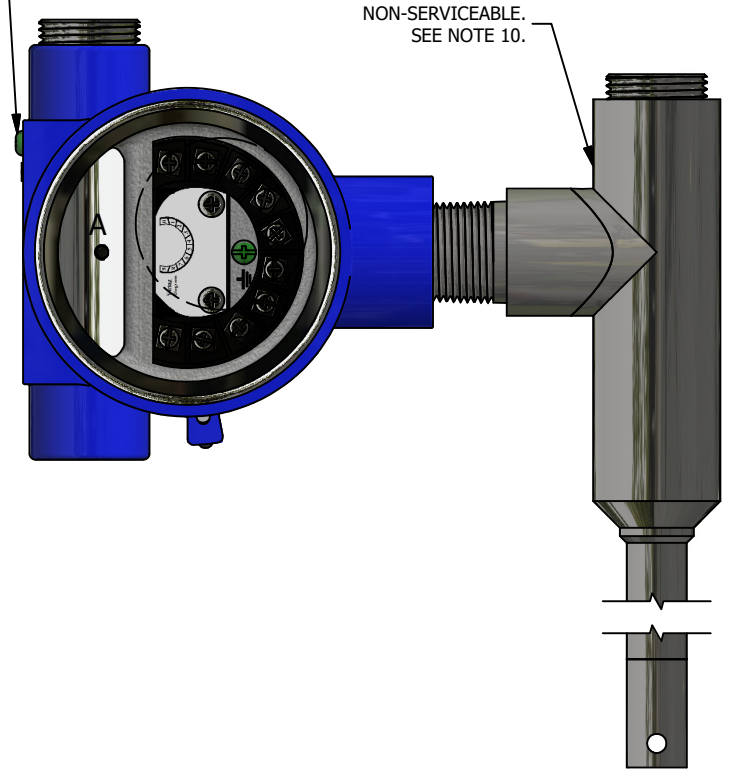


- 0 = (+) POS ] LOOP
- 1 = (-) NEG ] LOOP
- 2 = HART
- 3 = HART
- 4 = (+) POS
- 5 = (-) NEG ] TEST
- 6 = GND
- 7 = N/A
- 8 = N/A
- 9 = N/A

M4 X 6 SS EARTH GREEN SCREW

DETAIL A

DISCONNECT CUSTOMER WIRING BEFORE SERVICING.  
SEE NOTE 6.



NON-SERVICEABLE.  
SEE NOTE 10.

PARAMETER

**LEVEL OUTPUT**  
MEASURED VARIABLE:  
OUTPUT:  
FULL RANGE:

**GAUGE LOOP:**  
INPUT VOLTAGE RANGE:  
REVERSE POLARITY PROTECTION:

TRANSIENT PROTECTION:

FIELD INSTALLATION:  
MOUNTING:  
WIRING:

AGENCY APPROVALS:  
NORTH AMERICAN:

ATEX:  
IECEX:

CERTIFICATE NUMBERS:  
ATEX CERTIFICATE NUMBER:  
IECEX CERTIFICATE NUMBER:

CONTROL NUMBER AND STANDARDS:

SPECIFICATION

LIQUID LEVEL, INTERFACE LEVEL  
4-20 mA, HART  
12" TO 360" [304.8mm TO 9144mm]

12.5 TO 35VDC (12.5 V @ 20mA)  
SERIES DIODES

STAGE 1: LINE-TO-GROUND SURGE SUPPRESSORS;  
STAGE 2: LINE-TO-LINE AND LINE-TO-GROUND TRANSIENT  
SUPPRESSORS: 1500 WATTS PEAK (10/1000 μSEC.)

ON SIDE OF MAGNETIC LEVEL GAGE VIA BRACKETS AND HOSE CLAMPS  
2-WIRE CONNECTION, SHIELDED, TWISTED PAIR, WITH  
OVERALL SHIELD TO SCREW TERMINALS THROUGH A 3/4 NPT CONDUIT  
OPENING. MIN 24 AWG/ MAX 16 AWG [.20mm<sup>2</sup>/1.31mm<sup>2</sup>]  
MAX CABLE LENGTH: SHIELDED TWISTED PAIR: 10,000 ft [3048 m]

Class I Div. 1 Groups B,C,D T6 IP66/TYPE 4X  
Class I Zone 1 AEx db IIB+H2 T6 IP66/TYPE 4X  
C<sub>2575</sub> II 2G Ex db IIB+H2 T6 Gb IP66/TYPE 4X  
Ex db IIB+H2 T6 Gb IP66/TYPE 4X  
Ta = -40°F [-40°C] ≤ Ta ≤ +140°F [+60°C]

ITS19ATEX14921X  
IECEX ETL 19.0030X

5014669  
CONFORMS TO UL STDS 1203, 60079-0, 60079-1, & 61010-1  
CERTIFIED TO CSA STDS C22.2 # 30, 60079-0, 60079-1, 61010-1

- NOTES:
- JMTG SHOWN.
  - THIS DEVICE IS A LOOP (4/20mA) POWERED LIQUID LEVEL SENSOR. DESIGNED TO BE USED WITH MAGNETIC LEVEL GAGES OR MAGNETIC FLOAT SYSTEM.
  - ALL NATIONAL AND LOCAL CODES AND REGULATIONS MUST BE ADHERED TO WHEN INSTALLING THE LEVEL INSTRUMENT IN A HAZARDOUS ENVIRONMENT.
  - SEALING FITTING WITHIN 18" [457mm] OF ENCLOSURE.
  - SEAL FITTING MUST MEET OR EXCEED LISTED FLAME-PROOF/EXPLOSION PROOF RATINGS AND INSTALLED TO LOCAL CODES.
  - WARNING: TO PREVENT IGNITION OF FLAMMABLE ATMOSPHERES, DISCONNECT POWER BEFORE SERVICING. DO NOT REMOVE ENCLOSURE COVER WITH DEVICE POWERED. DISCONNECT CUSTOMER WIRING FROM TERMINALS AS SHOWN IN DETAIL VIEW A. THERE ARE NO OTHER SERVICEABLE WIRES OR CONNECTIONS.  
AVERTISSEMENT: POUR PRÉVENIR L'INFLAMMATION DES ATMOSPHÈRES INFLAMMABLE, DÉBRANCHER L'ALIMENTATION AVANT L'ENTRETIEN. NE RETIREZ PAS LE COUVERCLE DE L'ENCEINTE AVEC L'APPAREIL ALIMENTÉ. DÉBRANCHER LE CÂBLAGE DU CLIENT DES TERMINAUX COMME INDIQUÉ DANS LA VUE DÉTAILLÉE A. IL N'Y A PAS D'AUTRES FILS OU RACCORDEMENTS QUI PEUVENT ÊTRE ENTRETENUS.
  - WARNING: THE EQUIPMENT CONTAINS NON-METALLIC/PAINTED ENCLOSURE PARTS. TO PREVENT THE RISK OF ELECTROSTATIC SPARKING, THE NON-METALLIC/PAINTED SURFACES SHOULD ONLY BE CLEANED WITH A DAMP CLOTH.  
AVERTISSEMENT : LES ÉQUIPEMENTS CONTIENNENT DES PIÈCES DE BOÎTIERS NON MÉTALLIQUES/PEINTES. AFIN DE PRÉVENIR UN RISQUE D'ÉTINCELLES ÉLECTROSTATIQUE, LES SURFACES NON MÉTALLIQUES/PEINTES NE DEVRAIENT ÊTRE NETTOYÉES QU'AVEC UN TISSU HUMIDE.
  - CABLES SHOULD BE RATED >41°F [5°C] ABOVE MAXIMUM AMBIENT TEMPERATURE.
  - OUTSIDE GROUND LUG TO A SAFETY EARTHING GROUND SYSTEM IS REQUIRED.
  - STAINLESS TEE AND PLUG IS A NON-SERVICEABLE COMPONENT. IF ANY MAINTENANCE OR REPAIR IS NECESSARY, THE DEVICE MUST BE SENT BACK TO THE MANUFACTURER.
  - ALL FLAME-PATHS ARE NOT INTENDED TO BE MODIFIED OR REPAIRED.
  - SET SCREWS ON HOUSING USE A 2mm ALLEN WRENCH.
  - ≡ - GROUND.
  - AGENCY CONTROLLED DOCUMENT.

1	01/25/2021	UPDATE NOTIFIED BODY NUMBER FROM 0359 TO 2575, UPDATE TO NEW DWG TEMPLATE: CDC 21-041	TBL
0	04/07/2020	DRAWING TO BE SENT OUT FOR AGENCY APPROVAL: CDC 18-558/TBL	TBL
REV	DATE	REVISION	BY

MANUFACTURED BY  
**Clark-Reliance®**  
16633 FOLTZ PARKWAY  
STRONGSVILLE, OH 44149 USA  
(440) 572-1500 | www.clarkreliance.com  
© Clark-Reliance® Corporation. All Rights Reserved.

CONTROL AND INSTALLATION DRAWING:  
EXPLOSION PROOF: JMT

**JERGUSON®**

DRAWN: TBL	DRAWING NO.:	REV.:
CHECKED: SRM/SS	<b>CI-35152-XP</b>	<b>1</b>
DATE: 04/07/2020		
CDC: 1 : CDC 21-041 : SH : 01/25/2021		TOLERANCES (U.O.N.):
MATERIAL: PER ORDER		3 Decimal Places: N/A
PART NUMBER: <b>CI35152 XP</b>		2 Decimal Places: N/A
		Fractions: N/A
		Machined Holes: N/A
		Angles: N/A
		Finish Marks: N/A
		(See PES-004 for details.)