



Large Chamber Reflex Gage
(RF-L10 with Non-Frost Extension)



Non-Frost Extension maintains excellent visibility of liquid level in the event of heavy frost build-up on gage.

Non-Frost Extensions

Series NF

- Required for cryogenic installations, should extend 1/2" (12.7mm) beyond insulation
- Install on Reflex or Transparent types
- For use on standard or large chamber gages

For low temperature applications where frost has a tendency to build up on the gage or if cryogenic insulation is required, the Jerguson Non-Frost Extension keeps frost from covering the window and maintains clear visibility at all times.

The Jerguson Non-Frost Extension consists of a plastic extension which makes direct contact with the gage glass and extends beyond the cover so that the frost build-up does not obscure reading of the liquid level.

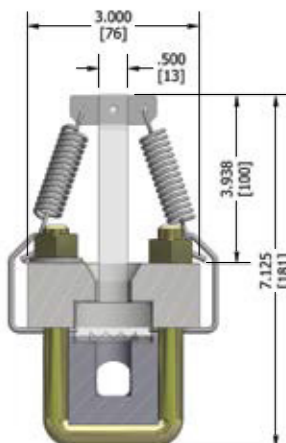
Mounting of the plastic extension is simple and can be accomplished without dismantling the gage. The Non-Frost Extension can be installed or removed (for cleaning), either before or after the gage has been put into service.

Available on Standard or Large Chamber Gages

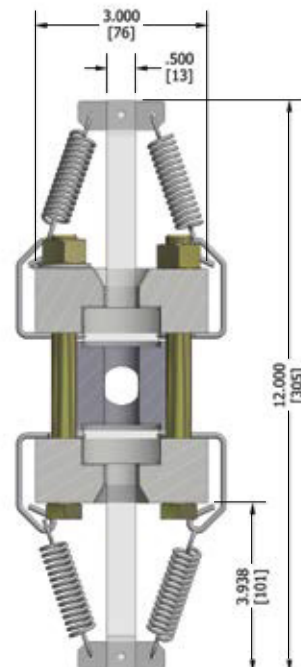
Non-Frost Extensions have been designed for the Series 20, 32, and L-10 gages.

NON-FROST EXTENSIONS

P/N	°F	°C	in	mm
S18826-	-100	-73	4 5/8	117



Series RF-20



Series TF-20