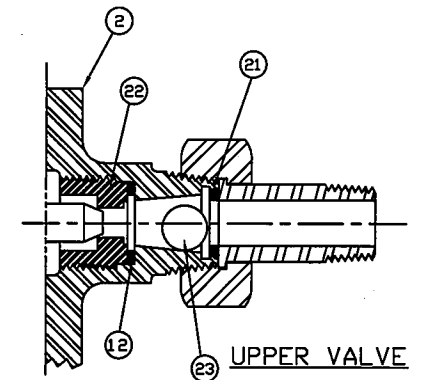
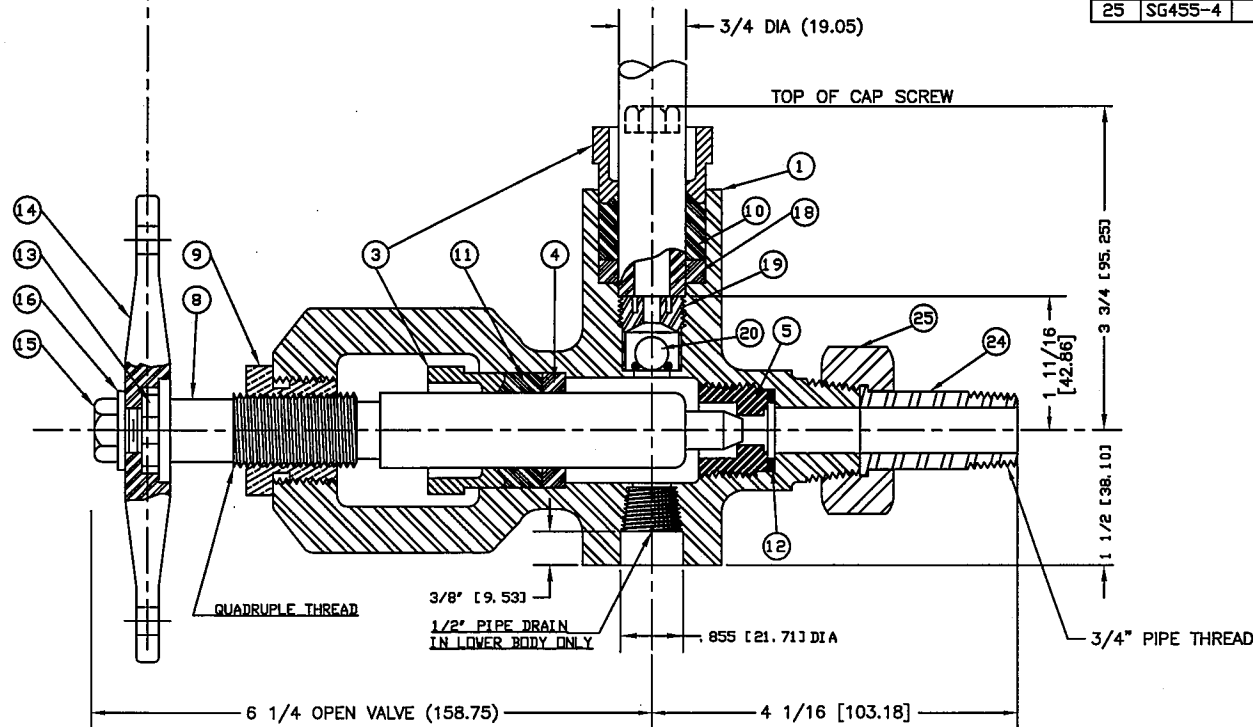
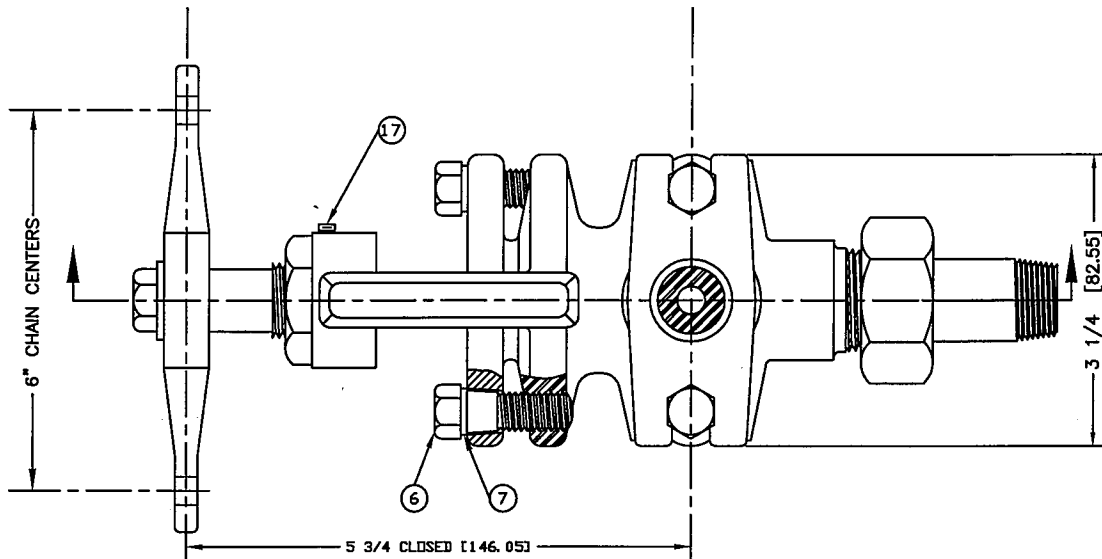


BILL OF MATERIAL - PER SET

ITEM	PART NO.	QUAN.	DESCRIPTION	MATERIAL	DWG NO.
1	SG855-1	1	VALVE BODY, LOWER (FORGED STL.)	ASTM A105 GRADE 1	B-10128
2	SG855-1A	1	VALVE BODY, UPPER (FORGED STL.)	ASTM A105 GRADE 1	B-10128
3	SG754-2	4	PACKING YOKE (DUCTILE IRON)	ASTM A395-55T	B-9198
4	SG754-3	2	PACKING WASHER	C 1018	B-9198
5	SG454-24	1	SEAT	420 SS	SG7017-A
6	SG754-5	8	CAP SCREW, HEX 7/16-14x1 1/2	STEEL	
7	M40-10	8	PLAIN WASHER, 15/32 I. D. - 59/64 O. D.	STEEL	
8	SG854-1	2	STEM	303 SS	A-9196
9	SG854-2S	2	STEM BUSHING	416 SST	A-9196
10	SG854-5	2	NIPPLE PACKING CARTRIDGE	GRAFDIL	SG7021-A
11	SG854-4	2	STEM PACKING CARTRIDGE	GRAFDIL	SG7021-A
12	E10-10	2	VALVE SEAT GASKET	MONEL	A-5418
13	BG403RS-1	2	SPROCKET SINTERED IRON ASTM B202 II A		A-7255
14	BG403RS-2	2	LEVER, 1 UPPER & 1 LOWER	MALL. IRON	A-7254
15	BG403RS-13	2	CAP SCREW, HEX 5/16-18x5/8	STEEL	
16	BG403RS-14	2	SHAKERPROOF LOCK WASHER, 5/16	STEEL	
17	X173120	2	ALLEN CUP POINT SET SCREW, 10-24x1/4	STEEL	
18	SG885-2	1	PACKING WASHER	C. R. STEEL	B-10128
19	SG885-3	1	BALL CAGE-LOWER VALVE ONLY	STNLS. STL.	A-10135
20	SG561-3	1	BALL-1/2 DIA. (LOWER VALVE ONLY)	STNLS. STL.	A-10135
21	SG855-5	1	SEAT HOLDER	C. R. STEEL	A-10172
22	SG454-25	1	SEAT-W/2 NICKS ON BALL SIDE	420 SS	SG7039-A
23	SG455-2	1	BALL - 9/16 DIA.	STNLS. STL.	
24	SG455-3	2	TAIL PIECE	C. R. STEEL	A-3929-3
25	SG455-4	2	TAIL PIECE NUT	C. R. STEEL	A-3928-B

NOTE: LENGTH OF GLASS OR INSERT
EQUALS VALVE CENTERS LESS 3 1/4" [82.55]



MAXIMUM PRESSURE RATING:
1500 P. S. I. @ 600° F

HYDROTEST AT 2250 P. S. I.

LOWER VALVE

DIMENSIONS IN [] ARE IN MILLIMETERS

REV	DESCRIPTION	DATE	BY	CHKD
5	chd n was 3/8 npt/sw	3/20/76	st	
4	REDRAW	2-4-93	FAS	
	DESCRIPTION	DATE	BY	CHKD
	REVISIONS			

UNLESS OTHERWISE NOTED
TOLERANCES (1)
DECIMAL & STOCK C.002
FIN. FRACTIONAL (UP TO 1", NOT INCL.) C.010
FIN. FRACTIONAL (1" INCL. UP TO 2") 1/64
FIN. FRACTIONAL (2" INCL. UP TO 6") 1/32
FIN. FRACTIONAL (6" INCL. UP TO 12") 1/16
FIN. FRACTIONAL (12" & OVER) 1/8
ANGLES
MACHINE FINISH - 125 OR SMOTHER
REMOVE BURRS AND SHARP EDGES

THE CLARK-RELIANCE CORP.
STRONGSVILLE, OHIO
SG855 FORGED STEEL
WATER GAGE VALVE
WITH BALL CHECK

MATERIAL		DRAWING NO.		REV.
DRAWN	FAS	SCALE	NONE	
CHKD.		DATE	2-4-93	
DRAWING NO.			REV.	
B-10173			5	