

MATERIAL: SEE B/M  
 DRAWN: TFK  
 SCALE: NONE  
 CHECKED: DEP  
 DATE: 9-15-95

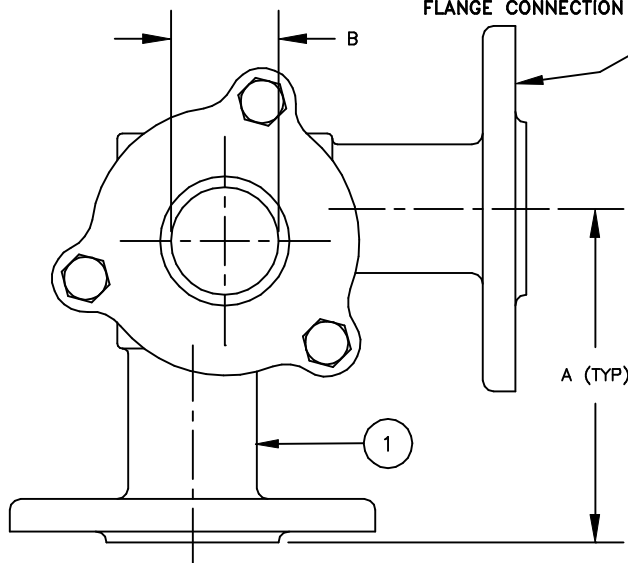


SIGHT FLOW INDICATOR  
 STYLE 90 SERIES

Section: T400  
 Bulletin: T400.07  
 Date: 12/01/00  
 Supersedes: 11/10/98

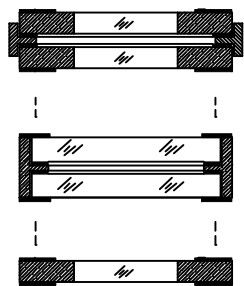
150 PSIG MODELS

FILE NO.: T400-07.DWG



STYLE 90 (NF)

- OPTIONS**
- DUAL UNIGLAS WINDOWS
  - FULL VIEW DUAL WINDOWS
  - UNIGLAS WINDOW

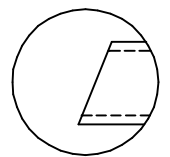


**Factory Mutual System**  
 Approved

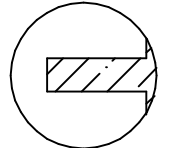
**PRESSURE/TEMP. RATINGS**

TEMP F	150 PSIG MODELS		
	CS/316	BRONZE	IRON
-20 TO 100	150	150	150
150	150	150	150
200	150	150	150
250	150	150	150
300	150	150	150
350	150	150	150
400	150	150	140
450	150	N/R	N/R
500	150	N/R	N/R

**INDICATOR OPTIONS**



DRIP TUBE   
 STYLE 90-D



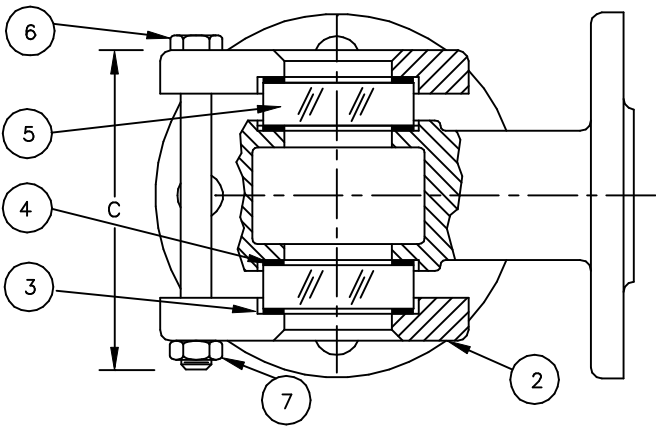
PTFE FLUTTER   
 STYLE 90-FLTR

**PARTS LIST**

PIECE NO.	NAME OF PART	QUAN.	MATERIAL	COMMENTS
1	BODY	1	SEE BELOW	
2	RETAINER	2	STEEL	
3	CUSHION	2	FIBER	
4	SEAL GASKET	2		
5	WINDOW	2	BOROSILICATE	
6	BOLT	3	STEEL	
7	NUT	3	STEEL	
8	INDICATOR			

THIS DRAWING AND ALL INFORMATION ON IT IS THE PROPERTY OF JACOBY-TARBOX, DIVISION OF THE CLARK-RELiance CORPORATION. IT IS CONFIDENTIAL AND IS GIVEN TO YOU FOR A LIMITED PURPOSE AND MUST BE RETURNED UPON REQUEST. NEITHER THIS DRAWING NOR ANY PART OF IT NOR ANY INFORMATION CONCERNING IT MAY BE COPIED, EXHIBITED OR FURNISHED TO OTHERS NOR MAY PHOTOGRAPHS BE TAKEN OF ANY ARTICLE FABRICATED OR ASSEMBLED FROM THIS DRAWING WITHOUT CONSENT OF THE CLARK-RELiance CORPORATION.

- STANDARD DESIGN MATERIALS:**
- BODY: ASTM A216-WCB (CARBON STEEL)
  - ASTM A351-CF8M (316 SS)
  - ASTM B62 (BRONZE)
  - ASTM A126 CLASS B (CAST IRON)
- INDICATOR: 316 SS DRIP , PTFE FLUTTER  
 RETAINER: ASTM A516 GR. 70 (STEEL)  
 FASTENERS: SAE GRADE 5 (STEEL)
- OPTIONAL ALLOYS FURNISHED UPON REQUEST  
 304/316 SS TRIM AVAILABLE



8" UNIT CONSTRUCTED WITH ROUND STYLE RETAINER  
 CAST IRON & BRONZE FLANGES ARE 125/150#F.F. PER ANSI B16.1 AND B16.24  
 REDUCE "A" DIMENSION 1/16.

PIPE SIZE	DIMENSIONS						APPROX. WGT.	
	A		B		C		LBS.	KGS.
	IN.	mm	IN.	mm	IN.	mm		
1	3.94	100	1.25	32	3.50	89	8	3.6
1-1/2	4.50	114	2.00	51	5.00	127	15	6.8
2	5.06	129	2.50	64	6.00	152	22	10
2-1/2	6.00	152	3.19	81	7.00	178	44	20
3	6.00	152	3.19	81	7.00	178	44	20
4	6.75	171	4.25	108	9.00	229	120	54.4
6	8.44	214	6.87	175	11.50	292	230	104.3
8	12.13	308	8.25	210	18.00	457	275	124.6