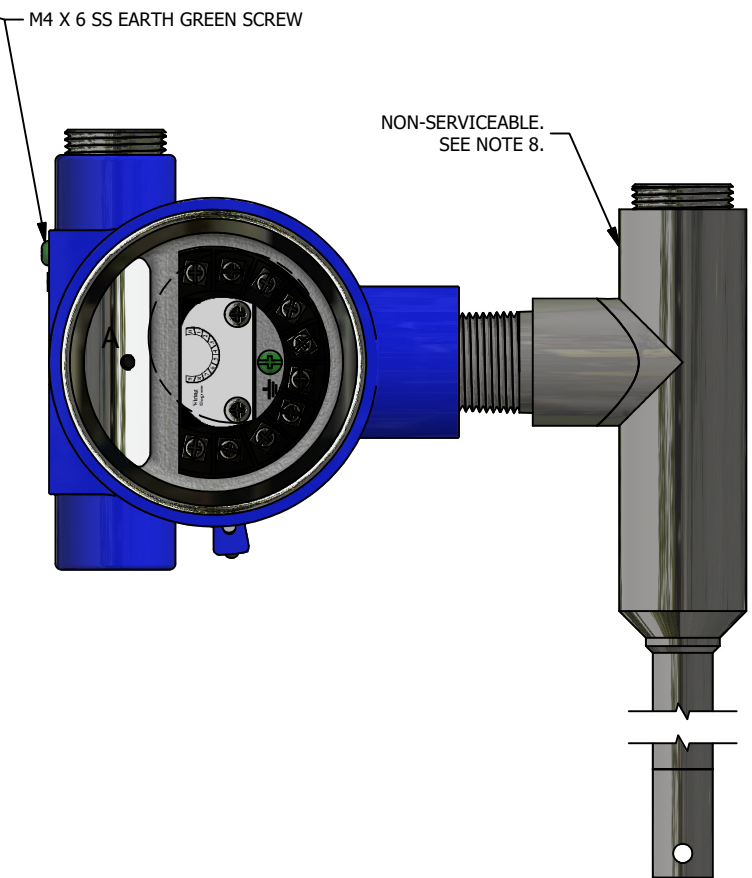


- 0 = (+) POS] LOOP
- 1 = (-) NEG
- 2 = HART
- 3 = HART
- 4 = (+) POS] TEST
- 5 = (-) NEG
- 6 = GND
- 7 = N/A
- 8 = N/A
- 9 = N/A

DETAIL A
DISCONNECT CUSTOMER WIRING BEFORE SERVICING.
SEE NOTE 5.



PARAMETER

LEVEL OUTPUT:
MEASURED VARIABLE:
OUTPUT:
FULL RANGE:

GAUGE LOOP:
INPUT VOLTAGE RANGE:
REVERSE POLARITY PROTECTION:

TRANSIENT PROTECTION:

SPECIFICATION

LIQUID LEVEL, INTERFACE LEVEL
4-20 mA, HART
12" TO 360" [304.8mm TO 9144mm]

12.5 TO 35VDC (12.5 V @ 20mA)
SERIES DIODES

STAGE 1: LINE-TO-GROUND SURGE SUPPRESSORS;
STAGE 2: LINE-TO-LINE AND LINE-TO-GROUND TRANSIENT SUPPRESSORS: 1500 WATTS PEAK (10/1000 μSEC.)

FIELD INSTALLATION:

MOUNTING:
WIRING:

ON SIDE OF MAGNETIC LEVEL GAGE VIA BRACKETS AND HOSE CLAMPS
2-WIRE CONNECTION, SHIELDED, TWISTED PAIR, WITH OVERALL SHIELD TO SCREW TERMINALS THROUGH A 3/4 NPT CONDUIT OPENING. MIN 24 AWG/ MAX 16 AWG [.20mm²/1.31mm²]
MAX CABLE LENGTH: SHIELDED TWISTED PAIR: 10,000 ft [3048 m]

ENVIRONMENTAL PROTECTIONS:

INGRESS PROTECTION RATING: IP66/TYP 4X
AMBIENT TEMPERATURE RANGE: -40°F [-40°C] ≤ Ta ≤ +140°F [+60°C]

AGENCY APPROVALS:

CONTROL NUMBER AND STANDARDS: 5014669
CONFORMS TO UL STDS 1203, 60079-0, 60079-1, & 61010-1
 CERTIFIED TO CSA STDS C22.2 # 30, 60079-0, 60079-1, 61010-1

- NOTES:**
- JMTG SHOWN.
 - THIS DEVICE IS A LOOP (4/20mA) POWERED LIQUID LEVEL SENSOR. DESIGNED TO BE USED WITH MAGNETIC LEVEL GAGES OR MAGNETIC FLOAT SYSTEM.
 - ALL NATIONAL AND LOCAL CODES AND REGULATIONS MUST BE ADHERED TO WHEN INSTALLING THE LEVEL INSTRUMENT.
 - CLARK-RELIANCE RECOMMENDS A SEAL FITTING WITHIN 18" [457mm] OF ENCLOSURE TO PREVENT LIQUID INGRESS.
 - WARNING: TO PREVENT IGNITION OF ELECTRICAL SHOCK, DISCONNECT POWER BEFORE SERVICING. DO NOT REMOVE ENCLOSURE COVER WITH DEVICE POWERED. DISCONNECT CUSTOMER WIRING FROM TERMINALS AS SHOWN IN DETAIL VIEW A. THERE ARE NO OTHER SERVICEABLE WIRES OR CONNECTIONS.
 - CABLES SHOULD BE RATED >41°F [5°C] ABOVE MAXIMUM AMBIENT TEMPERATURE.
 - OUTSIDE GROUND LUG TO A SAFETY EARTHING GROUND SYSTEM IS REQUIRED.
 - SET SCREWS ON HOUSING USE A 2mm ALLEN WRENCH.
 - STAINLESS TEE AND PLUG IS A NON-SERVICEABLE COMPONENT. IF ANY MAINTENANCE OR REPAIR IS NECESSARY, THE DEVICE MUST BE SENT BACK TO THE MANUFACTURER.
 - ⚡ - GROUND.
 - AGENCY CONTROLLED DOCUMENT.

| | | | |
|-----|------------|--|-----|
| 0 | 04/07/2020 | DRAWING TO BE SENT OUT FOR AGENCY APPROVAL: CDC 18-558/TBL | TBL |
| REV | DATE | REVISION | BY |

MANUFACTURED BY
Clark-Reliance®
16633 FOLTZ PARKWAY
STRONGSVILLE, OH 44149 USA
(440) 572-1500 | www.clarkreliance.com
© Clark-Reliance® Corporation. All Rights Reserved.

JERGUSON®

CONTROL AND INSTALLATION DRAWING:
ORDINARY LOCATION: JMT

| | |
|---|--------------------|
| PART NUMBER: CI35152 OL | |
| TOLERANCE CLASS (PER PES-004): N/A | |
| MATERIAL: PER ORDER | |
| REVISION: 0 CDC 18-558/TBL | |
| DRAWN: TBL | DRAWING NO.: |
| CHECKED: SRM/SS | CI-35152-OL |
| DATE: 4/7/2020 | REV.: 0 |