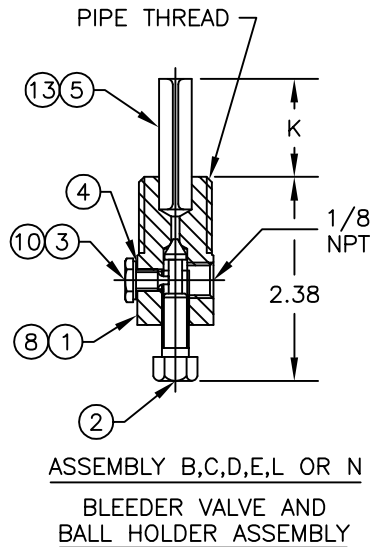
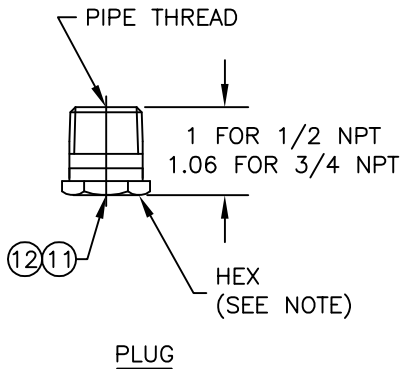


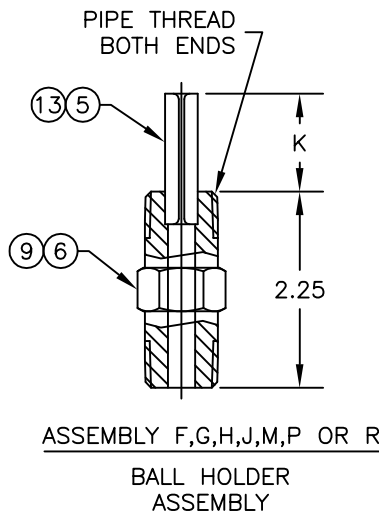
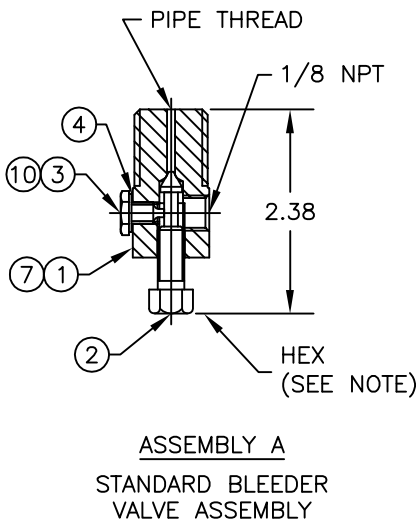
BILL OF MATERIAL																					
PIECE NO.	NAME OF PART	QUANTITIES (ZERO IF NOT SHOWN)												PART NO.	STD. MAT'L **						
		A	B	C	D	E	F	G	H	J	L	M	N			P	R				
1	BLEEDER BODY (1/2 NPT)	1																P-7510-A6	STEEL		
			1								1							P-8299-A6			
				1	1										1					P-7594-A6	
2	BLEEDER STEM	1	1	1	1	1					1		1					P-7511-U	416SS		
3	LOCK SCREW (FOR 1/2)	1	1	1	1	1					1		1					P-7512-R	304SS		
4	LOCKWASHER	1	1	1	1	1					1		1					P-2277-R	304SS		
5	BALL HOLDER	1																P-7664-A	STEEL		
				1					1											P-8295-A	
																				P-7595-A	
							1				1										P-7831-A6
6	BALL HOLDER BODY								1					1		1			P-8296-A6	STEEL	
										1	1								P-7654-A6		
																					V-10551-A6
7	BLEEDER BODY (3/4 NPT)	1																	V-10552-A6	STEEL	
8				1															V-10553-A6		
9																					V-10554-A6
10	LOCK SCREW (FOR 3/4)	1	1																V-10554-R	304SS	
11	1/2 PIPE PLUG																		P-309-A5	STEEL	
12	3/4 PIPE PLUG																		P-2039-A5		
13	BALL HOLDER																		V-10683-A	STEEL	
																					V-9826-A
																					V-10684-A
																					V-10632-A
																			V-10633-A		

** OTHER MATERIALS AVAILABLE

NOTE: 7/8 HEX FOR 1/2 NPT
1-1/16 HEX FOR 3/4 NPT



BLEEDER VALVE ASSEMBLIES				
ASSEMBLY	ASSEM. NO.	FOR VALVES	"K" DIM.	
A	1/2 NPT	S-8049-	STANDARD	-
	3/4 NPT	S-10857-		
B		S-8475-	136V & 56V	7/8
C	1/2 NPT	S-8224-	147V & 67V	1 3/4
	3/4 NPT	S-10858-	147V & 67V	
D		S-12694-	77BLVS	2
E		S-8736-	77V	3 3/4
L		S-13148-	86V	2 3/8
N		S-13436-	77BLV	2 7/8



BALL HOLDER ASSEMBLIES				
ASSEMBLY	ASSEM. NO.	FOR VALVES	"K" DIM.	
F		S-8450-	136V & 56V	7/8
G	1/2 NPT	S-8445-	147V & 67V	1 3/4
	3/4 NPT	S-10859-	147V & 67V	
J		S-8965-	77V	3 3/4
M		S-13437-	86V	2 3/8
P	1/2 NPT	S-10926-	77BLV	2 7/8
	3/4 NPT	S-19141-	77BLV	
R		S-10897-	77BLVS	2

5 REDRAWN ON CAD	3/02	DMD
REVISION	DATE	APP

PLUGS, BLEEDERS & BALL CHECK HOLDERS FOR JERGUSON VALVES

JERGUSON GAGE & VALVE CO. STRONGSVILLE, OHIO, U.S.A.		DRAWN MJK	FILE NO.
SCALE NONE		CHECKED DMD	DRAWING NO. GD-1644
DATE 3/28/02		APPROVED	REV. 5