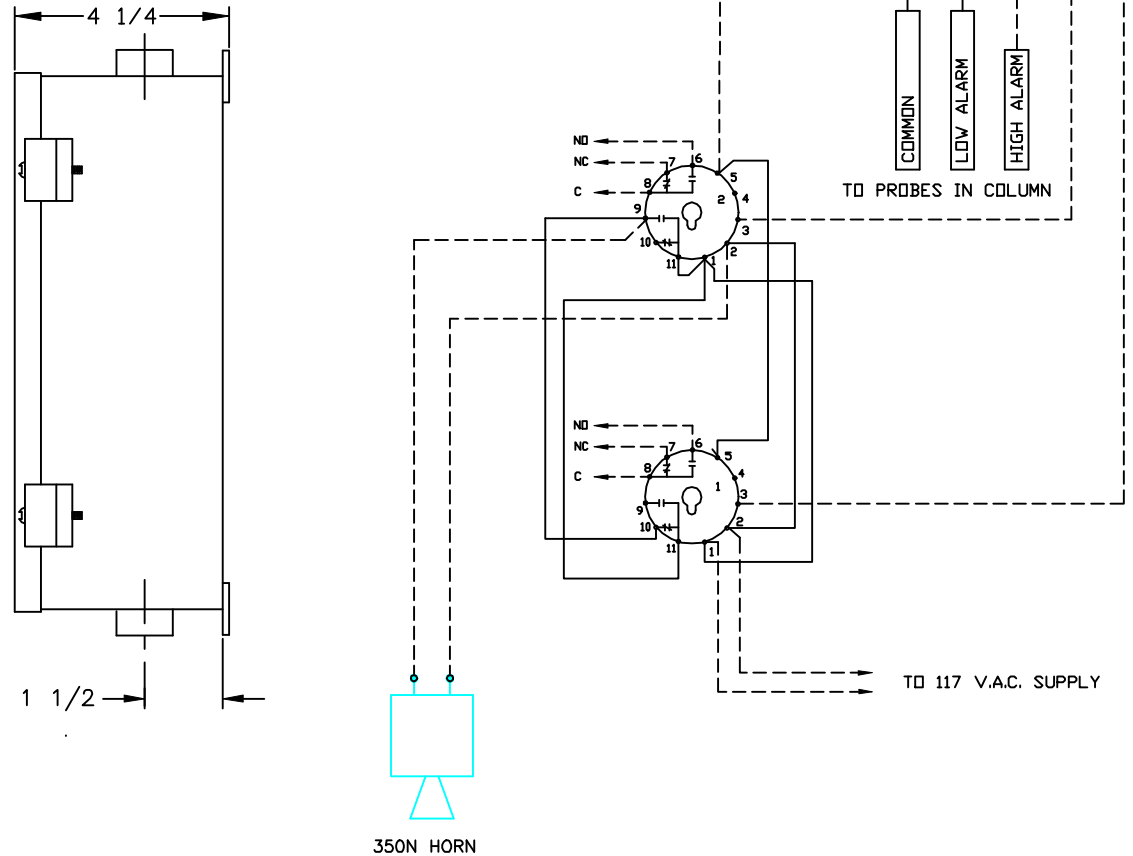


CONTROL UNIT ASSEMBLY

INTERWIRING DIAGRAM



BILL OF MATERIAL				
ITEM	QTY.	PART NO.	DESCRIPTION	DWG. NO.
A	2	ECID-23R	RELAY	
B	2	ECID-49	SOCKET	
C	1	PC-42	PANEL	RL7006-A
D	1	(*)	ENCLOSURE (SEE BELOW)	
E	1	X172976	10-32 GROUND SCREW	
F	1	EA15-8	NAMEPLATE (NOT SHOWN)	A12869

NOTE:

- CONTACT RATING: 5A @ 120, 240 VAC
- USE 18 GA. WIRE FOR FIELD WIRING
- POWER CONSUMPTION: 8.8 VA WITH BOTH RELAYS ENERGIZED
- DISTANCE BETWEEN PROBES AND CONTROL UNIT: 600 FEET MAX

(*) NOTE: NEMA 1 ENCLOSURE
 PART NO. RE2-1 DWG. MS7043-A
 NEMA 4 ENCLOSURE
 PART NO. RE2-4 DWG. SK10557
 NEMA 4X (STLS. STL.) ENCLOSURE
 PART NO. RA1008CHNFSS

REV	DESCRIPTION	DATE	SIG
REVISIONS			

UNLESS OTHERWISE NOTED:
 TOLERANCES (?)
 DECIMAL & STOCK (0.002) (0.010)
 FIN. FRACTIONAL (1/4 INCL., UP TO 3/4) 1/64
 FIN. FRACTIONAL (3/8 INCL., UP TO 6/8) 1/32
 FIN. FRACTIONAL (6/8 INCL., UP TO 12/8) 1/16
 FIN. FRACTIONAL (12/8 & OVER) 1/8
 ANGLES
 MACHINE FINISH-125√DR SMOOTHER
 REMOVE BURRS AND SHARP EDGES

THE CLARK-RELIANCE CORP.
 STRONGSVILLE, OHIO
 R210L & R240L RELAY
 WIRED TO 350N HORN FOR
 HIGH AND LOW ALARM

MATERIAL	
DRAWN ST	SCALE NONE
CHKD.	DATE 5-31-96
DRAWING NO.	REV.
RL1071-A	