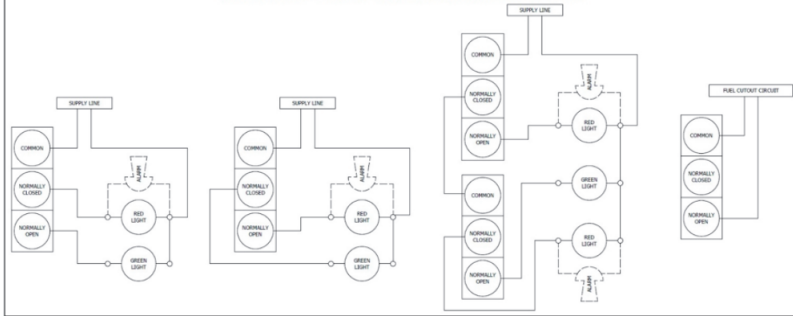


### EXAMPLE WIRING DIAGRAMS

WHEN THE FLOAT IS DOWN (I.E. LOW WATER SITUATION), THE SWITCH IS CLOSED



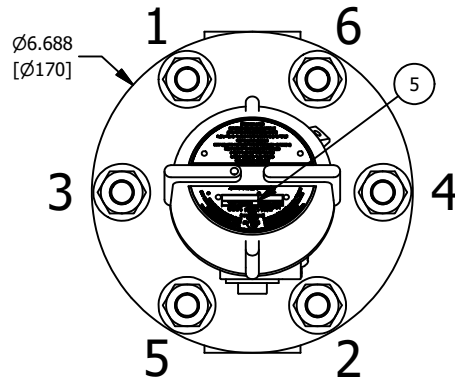
### TORQUE SEQUENCE

USE A 7/8" SOCKET

STEP 1 = 20 FT-LB

STEP 2 = 40 FT-LB

STEP 3 = 55 FT-LB



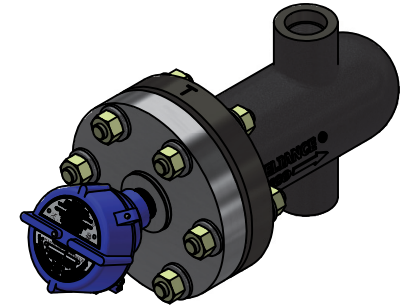
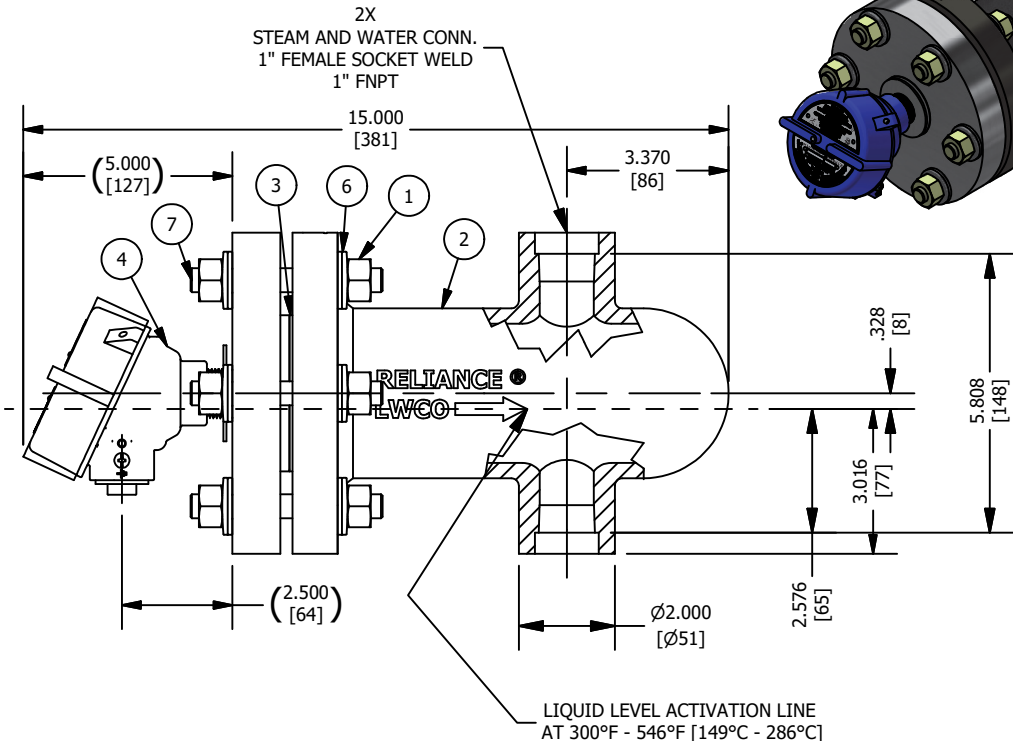
**NOTES:**

1. REFERENCE INSTALLATION, OPERATION, AND MAINTENANCE MANUAL R500.E283A
2. UL APPROVED FOR THE FOLLOWING RATINGS:  
 0.75A @ 120/240 VAC: ONE CONTACT CAN BE LOADED AT A TIME  
 1.00A @ 28 VDC: BOTH CONTACTS CAN BE LOADED AT THE SAME TIME
3. MAX AMBIENT = 131°F [55°C]
4. WEIGHT= APPROXIMATELY 40 lbs [18 kg]
5. MAWP = 1000 PSI [6.9 MPa] @ 546°F [286°C]
6. DESIGN PRESSURE: 1250 PSI [8.6 MPa] @ 574°F [301°C]
7. HYDROTEST PRESSURE: 1500 PSI [10.3 MPa]
8. UNITS IN INCHES [millimeters]

### BILL OF MATERIAL

NO.	PART NO.	QTY.	DESCRIPTION	MATERIAL	SPECIFICATION	SPARE PART AVAILABLE
1	P1866 2HA	12	HEAVY HEX NUT - 1/2-13 UNC	CARBON STEEL	A194 GR.2H	YES <sup>a</sup>
2	REA7260	1	BODY: MACHINED: FLOAT SWITCH	CARBON STEEL	SA-216 GR.WCB	NO
3	REA7274	1	GASKET: GHR: FLOAT SWITCH	GRAPHITE W/ SS SHIM		YES
4	REA7277	1	KIT: SWITCH: REA100F	WETTED = 316LSS	WETTED = SA-479	YES
5	REA7278	1	TAG: MODEL/SERIAL: REA100F	ALUMINUM		NO
6	X173103	24	SPRING: DISC: 1/2 STUD	STAINLESS STEEL		YES <sup>a</sup>
7	X173787	6	STUD - 1/2-13 UNC	CARBON STEEL	A193 Gr.B7	YES <sup>a</sup>

<sup>a</sup> = THESE PARTS ARE APART OF HARDWARE KIT P/N: RRK 52



MANUFACTURED BY  
**Clark-Reliance®**  
 16633 FOLTZ PARKWAY  
 STRONGSVILLE, OH 44149 USA  
 (440) 572-1500 | www.clarkreliance.com  
 © Clark-Reliance® LLC. All Rights Reserved.

REA100F 1000 LEVALARM FLOAT SWITCH ASSEMBLY  
 SALES DRAWING

**RELIANCE®**

DRAWN: TBL	DRAWING NO.:	REV.:
CHECKED: NMK	<b>EA1391</b>	<b>0</b>
DATE: 07/17/2025		
CDC: 0 N/A	TOLERANCES (U.O.N.): C/C Dimensions: ± .125" Dimension Sparring Welded Parts: ± .125" Angles: ± 1° (See PES-004 for details)	
MATERIAL: SEE BOM	PART NUMBER: <b>REA100F 1000</b>	