

BILL OF MATERIAL (CS BODY/416SS TRIM)					BILL OF MATERIAL (316SS BODY/316SS TRIM)				
NO.	NAME OF PART	QTY.	MATERIAL	SPECIFICATION	NO.	NAME OF PART	QTY.	MATERIAL	SPECIFICATION
1	BODY, BOTTOM VALVE	1	CARBON STEEL	PER ORDER A105	1	BODY, BOTTOM VALVE	1	316/316LSS	PER ORDER A182 GR.F316/316L
2	SEAT	1	416SS	P125 U3 QQ-S-763	2	SEAT	1	316/316LSS	P125 T2 A479
3	STEM	1	416SS	P6680 U3 QQ-S-763	3	STEM	1	316/316LSS	P6680 T2 A479
4	YOKE	1	CARBON STEEL	L264 B A105	4	YOKE	1	CARBON STEEL	L325 B A105
5	-----	1	-----	-----	5	SLEEVE	1	316/316LSS	P6711 TL2 A479
6	SPIRAL GASKET	1	316/FLEXICARB	P5643 T	6	SPIRAL GASKET	1	316/FLEXICARB	P5643 T
7	CAP SCREW	4	ALLOY STEEL	P6475 B71 A193 GR.B7	7	CAP SCREW	4	ALLOY STEEL	P6475 B71 A193 GR.B7
8	PACKING	1	GRAPHITE/INCONEL	G291	8	PACKING	1	GRAPHITE/INCONEL	G291
9	PACKING GLAND	1	CARBON STEEL	V18257 3 AL4 A36	9	PACKING GLAND	1	CARBON STEEL	V18257 3 AL4 A36
10	CAP SCREW	2	ALLOY STEEL	P6153 B71 A193 GR.B7	10	CAP SCREW	2	ALLOY STEEL	P6153 B71 A193 GR.B7
11	WASHER, STEM	1	CARBON STEEL	P6195 A4	11	WASHER, STEM	1	CARBON STEEL	P6195 A4
12	HANDWHEEL	1	BRONZE	V7730 F6 B505	12	HANDWHEEL	1	BRONZE	V7730 F6 B505
13	WASHER, HANDWHEEL	1	CARBON STEEL	P6196 A4	13	WASHER, HANDWHEEL	1	CARBON STEEL	P6196 A4
14	WASHER, STEM NUT	1	CARBON STEEL	P33 2 A1	14	WASHER, STEM NUT	1	CARBON STEEL	P33 2 A1
15	NUT, STEM	1	CARBON STEEL	V11061 A12	15	NUT, STEM	1	CARBON STEEL	V11061 A12
16	BALL CHECK (OPTIONAL)	1	440SS	P1 I	16	BALL CHECK (OPTIONAL)	1	316SS	P1 T2 QQ-S-763
17	TAILPIECE, GAGE CONN.	1	LOW TEMP CS	PER ORDER A350 GR.LF2	17	TAILPIECE, GAGE CONN.	1	316/316LSS*	PER ORDER
18	NUT, TAILPIECE	1	LOW TEMP CS	PER ORDER A350 GR.LF2	18	NUT, TAILPIECE	1	LOW TEMP CS	PER ORDER A350 GR.LF2
19	RATING TAG	1	304SS	V22038 1	19	RATING TAG	1	304SS	V22038 1

*17-4PHSS FOR SPHERICAL TAILPIECES

NOTES:

- DIMENSIONS IN INCHES W/ mm EQUIVALENTS IN BRACKETS
- TOP AND BOTTOM VALVES SAME EXCEPT OPPOSITE HANDING (I.E. MIRROR IMAGES) (BOTTOM LEFT HAND VALVE SHOWN)
- VALVE RATING - CARBON STEEL & 316SS:
4000 PSI @ 100°F, 1308 PSI @ 800°F
(281 KG/CM² @ 38°C, 92 KG/CM² @ 427°C)
- CERTIFIED TO LOW EMISSIONS STANDARD API 624 W/ PACKING G291
- BALL CHECK OPTIONAL - FURNISHED ON REQUEST
- SEE TABLES FOR AVAILABLE STANDARD CONNECTIONS
- REFER TO THE FOLLOWING (FOR):
 - CATALOG BULLETIN J100.53 (ADDITIONAL INFORMATION)
 - IOM BULLETIN J500.08 (INSTRUCTIONS)
- VALVE "TRIM" = SEAT, STEM & (OPTIONAL) BALL CHECK
- CONSULT FACTORY FOR ALTERNATE MATERIAL OPTIONS (NOT AVAILABLE IN ALL 316SS)

TANK CONNECTION

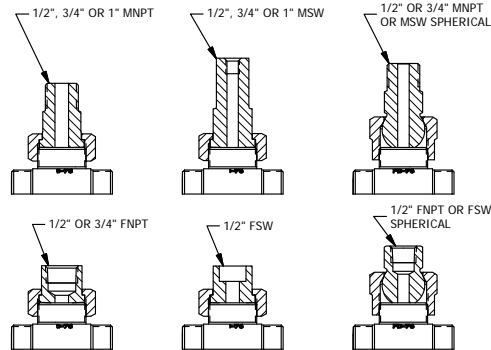
1/2" MNPT (OR MSW)	1/2" FNPT (OR FSW)	3/4" MNPT (OR MSW)	3/4" FNPT (OR FSW)	1" MNPT (OR MSW)
--------------------	--------------------	--------------------	--------------------	------------------

UNION GAGE CONNECTION ("B" DIMENSION)

1/2" MNPT (OR MSW)	1/2" FNPT (OR FSW)	1/2" MNPT SPH (OR MSW)	1/2" FNPT SPH (OR FSW)	3/4" MNPT (OR MSW)	3/4" FNPT (OR FSW)	3/4" MNPT SPH (OR MSW)	1" MNPT (OR MSW)
4.438 [113]	3.563 [90]	5.063 [129]	4.188 [106]	4.438 [113]	3.563 [90]	5.063 [129]	4.875 [124]

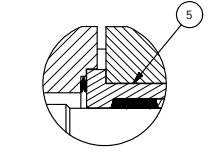
VENT / DRAIN CONNECTION

1/2" OR 3/4" FNPT (OR FSW) ONLY

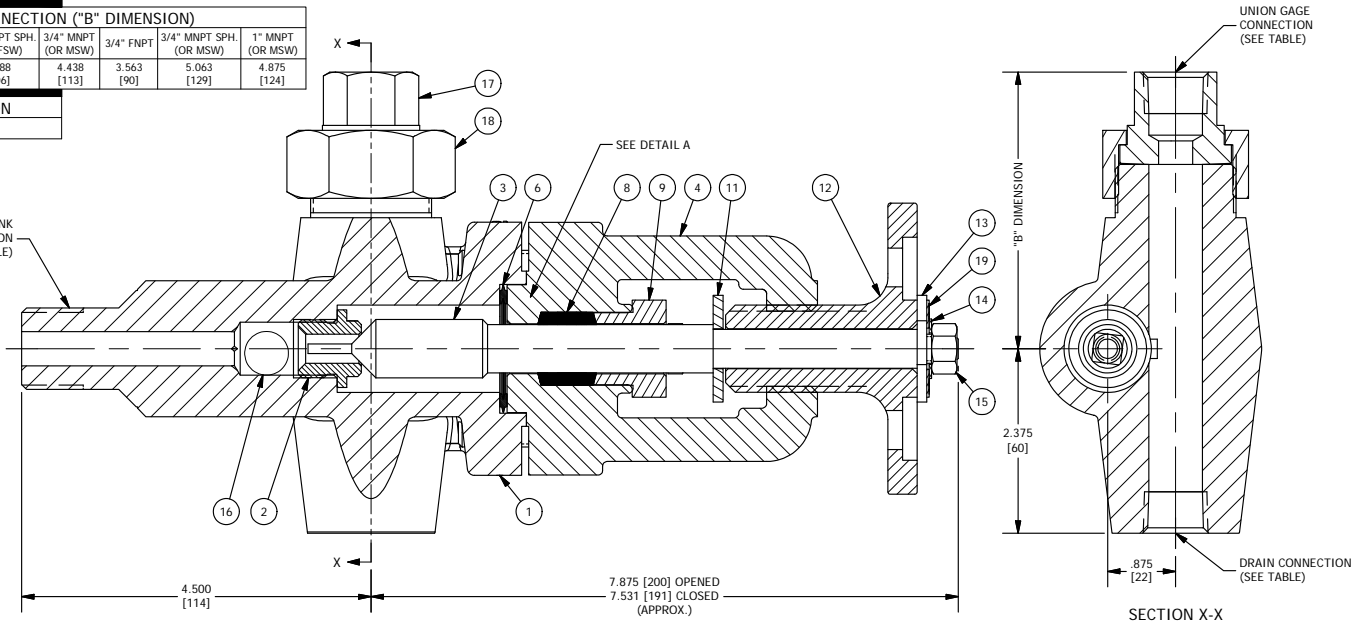
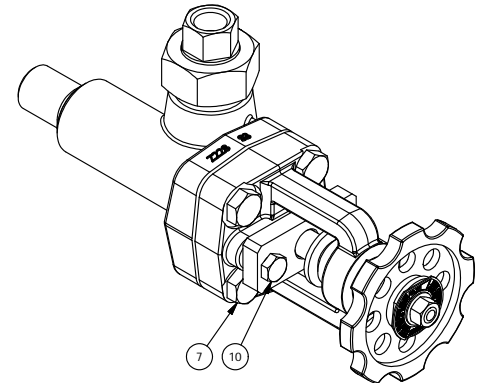


GAGE CONNECTION
(3/4" FSW UNION CONNECTION NOT AVAILABLE AS STANDARD)

4	10/25/2019	CHANGED PACKING MATERIAL FROM GRAPHITE/NICR	JJK
3	2/21/2018	UPDATE BOM, ADDED NOTE 4	JLI
2	1/4/2017	CHANGED PACKING FROM G259 TO G291	DCD
REV	DATE	REVISION	BY



DETAIL A
(ADDITION OF SLEEVE FOR VALVES W/ 316SS BODY/316SS TRIM)



SECTION X-X

MANUFACTURED BY
Clark-Reliance®
16633 FOLTZ PARKWAY
STRONGSVILLE, OH 44149 USA
(440) 572-1500 | www.clarkreliance.com
© Clark-Reliance® Corporation. All Rights Reserved.

JERGUSON®
#77 OFFSET VALVE (PLAIN-CLOSING)
NON-UNION TANK CONNECTION
UNION GAGE CONNECTION

DRAWN: DDenk	REV: 4
CHECKED: MK	
DATE: 7/8/2013	
REVISION: 4	
DRAWING NO.: 77	