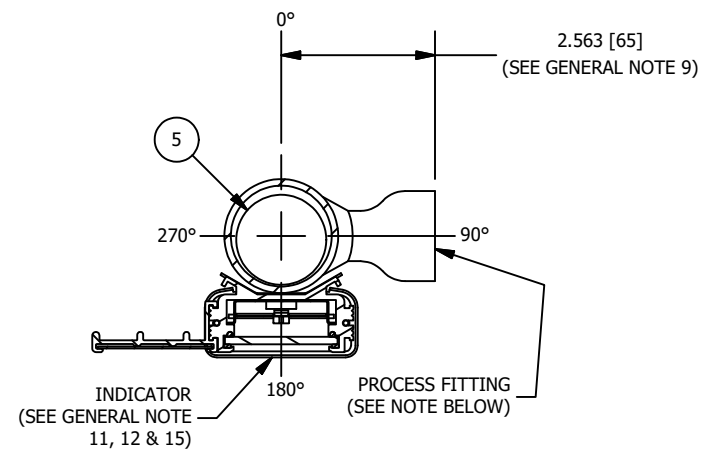
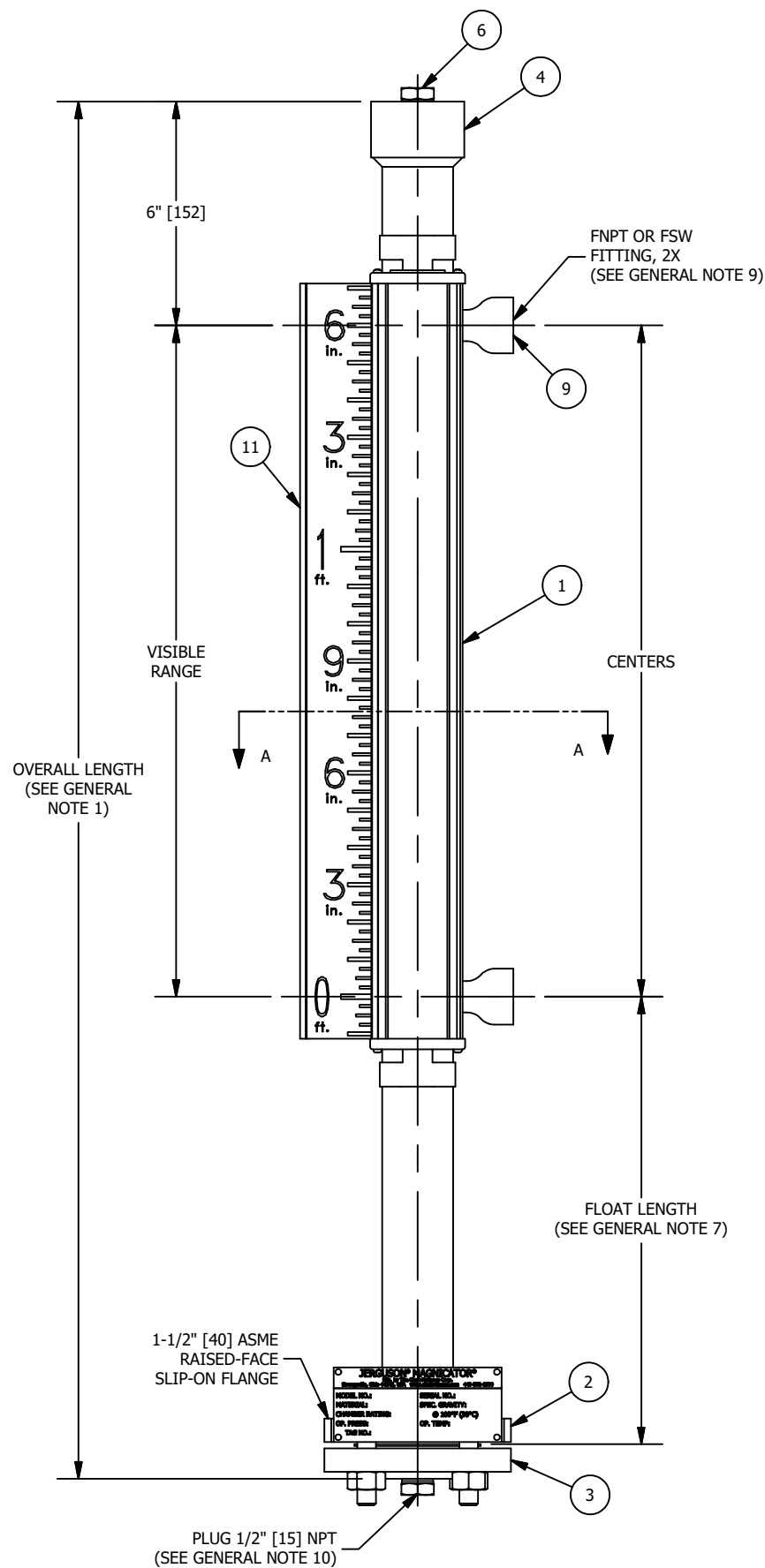


GENERAL NOTES:

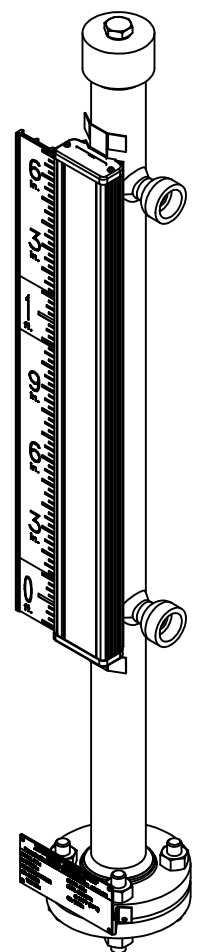
1. DIMENSIONS
 - SHOWN IN INCHES W/ MM EQUIVALENTS IN BRACKETS
 - OVERALL LENGTH = CENTERS + FLOAT LENGTH + MATING FLANGE THICKNESS + 6.063" [154]
2. OPERATING CONDITIONS
 - MAX PRESSURE, MAX TEMPERATURE, & MIN SPECIFIC GRAVITY REQUIRED FOR PROPER GAGE DESIGN
3. PART NUMBER
 - CONSULT "MAGNICATOR® SPECIFICATION GUIDE" (BULLETIN M100.30) FOR COMPLETE PART NUMBER DETAILS & LIST OF AVAILABLE OPTIONS
4. STANDPIPE SIZE
 - 1 1/2" [40] SCH. 10 (STANDARD)
5. MATERIALS OF CONSTRUCTION
 - 304/304LSS W/ CS TRIM (FLANGES, BOLTING, & PLUGS; LTCS CAP) (STANDARD)
 - 316/316LSS W/ CS TRIM (FLANGES, BOLTING, & PLUGS; LTCS CAP) (STANDARD)
 - ALL 304/304LSS (CS BOLTING) (STANDARD)
 - ALL 316/316LSS (CS BOLTING) (STANDARD)
 - CONSULT "MAGNICATOR® SPECIFICATION GUIDE" (BULLETIN M100.30) FOR A COMPLETE LIST OF AVAILABLE MATERIALS
6. FLOAT MATERIALS
 - TITANIUM (STANDARD)
7. FLOAT LENGTHS
 - 12" [305] (STANDARD)
 - 17" [432] (STANDARD)
 - 22" [559] (STANDARD)
 - LENGTHS DEPENDENT ON OPERATING CONDITIONS
 - CONSULT FACTORY FOR CUSTOM LENGTHS
8. GASKET MATERIALS
 - GARLOCK IFG5500 (MAX TEMPERATURE ≤ 550°F) (STANDARD)
 - GRAFOIL®/ (MAX TEMPERATURE > 550°F) (STANDARD)
 - CONSULT FACTORY FOR OPTIONAL GASKET MATERIALS
9. PROCESS CONNECTIONS
 - 1/2" [15] THRU 2" [50] FNPT & FSW (STANDARD)
 - DIMENSION SHOWN IN SECTION A-A MAY VARY DEPENDING ON SIZE OF CONNECTION
 - (2) SIDE CONNECTIONS (STANDARD)
 - (2+) SIDE CONNECTIONS AVAILABLE ON REQUEST
10. VENT / DRAIN CONNECTIONS
 - 1/2" [15] THRU 1" [25] FNPT, MNPT, FSW, & MSW
 - 1/2" [15] TO 3" [80] RAISED-FACE ASME & DIN FLANGED
11. INDICATION
 - WIDE INDICATOR (1-1/2" FLAG), SEALED (NEMA4X) IN ANODIZED ALUMINUM HOUSING (STANDARD)
 - WIDE INDICATOR (1-1/2" FLAG), HERMETICALLY SEALED (IP68) IN POLYCARBONATE TUBE, SS FRAME
 - CONVENTIONAL INDICATOR (3/4" FLAG), SEALED (NEMA4X) IN ANODIZED ALUMINUM HOUSING
 - CONVENTIONAL INDICATOR (3/4" FLAG), HERMETICALLY SEALED (IP68) IN POLYCARBONATE TUBE, SS FRAME
 - CONVENTIONAL INDICATOR (3/4" FLAG), HERMETICALLY SEALED (IP68) IN GLASS TUBE, SS FRAME
 - NIGHTSTAR™ ILLUMINATED CONVENTIONAL INDICATOR (3/4" FLAG), SEALED IN ANODIZED ALUMINUM HOUSING (120 OR 240 VAC)(BULLETIN M100.140)
 - YELLOW (LIQUID)/BLACK (VAPOR) FLAG COLORS STANDARD.
 - ALTERNATE OPTION OF RED (LIQUID)/WHITE (VAPOR) AVAILABLE
 - CONSULT FACTORY FOR OTHER FLAG COLOR OPTIONS
12. SCALES
 - FEET / INCHES (SHOWN) (STANDARD)
 - METER / MILLIMETER
 - PERCENT
 - CONSULT FACTORY FOR SPECIAL SCALES
13. POINT LEVEL SWITCHES
 - RS-2 (SPDT) HERMETICALLY-SEALED REED (BULLETIN M100.20)
 - RS-2/2 (DPDT) HERMETICALLY-SEALED REED (BULLETIN M100.20)
14. 4-20mA TRANSMITTERS
 - JMT SERIES MAGNETOSTRICTIVE (BULLETIN M100.28)
 - RST2 REED SWITCH (BULLETIN M100.22)
15. NON-FROST EXTENSION RECOMMENDED FOR SERVICE BELOW 0°F (-18°C) OR WHEN COLD INSULATION WILL BE APPLIED.



SECTION A-A

NOTE: AS STANDARD, PROCESS CONNECTIONS WILL BE ORIENTED AT 0°. THEY ARE SHOWN IN THIS DRAWING AT 90° FOR EASE OF VIEWING.

OPERATING CONDITIONS	
MAX PRESSURE	
MAX TEMPERATURE	
MIN SPECIFIC GRAVITY	
PROCESS FLUID	



BILL OF MATERIAL			
NO.	NAME OF PART	MATERIAL	REMARKS
1	STANDPIPE		
2	FLANGE, SLIP-ON		
3	FLANGE, THREADED		
4	CAP		
5	FLOAT		
6	PLUG		
7	STUD		
8	HEAVY HEX NUT		
9	PROCESS FITTING		
10	GASKET		
11	INDICATOR		

REV	DATE	REVISION	BY
0	11/7/2023	NEW DRAWING TO REFLECT NEW MODEL NUMBER SCHEME	BJK

MANUFACTURED BY
Clark-Reliance®
 16633 FOLTZ PARKWAY
 STRONGSVILLE, OH 44149 USA
 (440) 572-1500 | www.clarkreliance.com
 © Clark-Reliance® LLC. All Rights Reserved.

JERGUSON®
 MODEL MII-15B-CM MAGNICATOR
 W/ FNPT/FSW PROCESS CONNECTIONS
 (150-300# ASME FLANGES)

DRAWN: BJK	REV: 0
CHECKED: MBV	
DATE: 11/7/2023	
REVISION: 0	
DRAWING NO.: MII-15B-CM-2A/2B	