

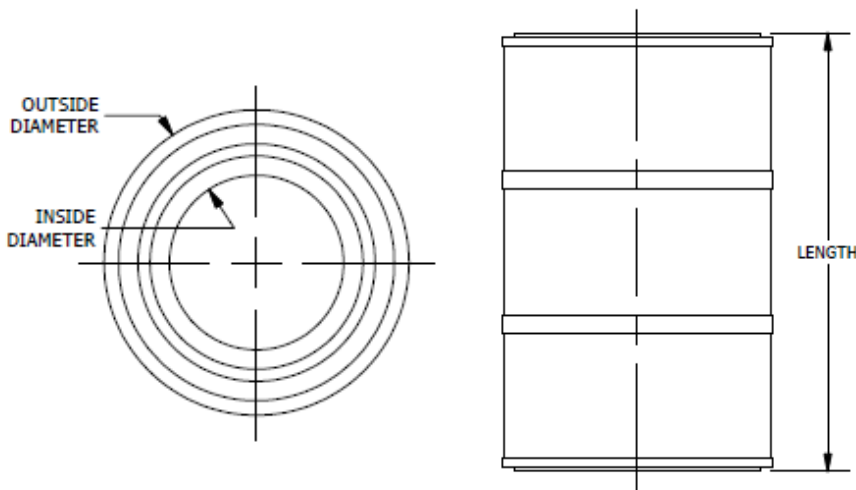
When gas must be absolutely clean and dry, free from particulates, liquids, and entrained oils, protect your critical process applications for increased reliability and overall performance.

2710		E	1	V	*
<b>Media Type</b> Co-pleated microglass and synthetics	<b>End Cap Configuration</b> Double Open Ended	<b>Dimensions</b>			<b>Seal Type</b> V = Flat VO = O-ring
<b>Cap Material</b> Stainless Steel	<b>Seal Material</b> FKM	ID	OD	Length	
<b>Outer Jacket Material</b> Perforated Stainless Steel Sheet	<b>Efficiencies</b> Solid Removal Rating: 0.3 µm @ 99.75% Liquid Removal Rating: 0.3 µm @ 99.9%	<b>E</b>			
		1 =	11.000"	15.750"	24.63"
		2 =	4.250"	8.750"	20.00"
		3 =	11.000"	15.750"	24.38"
		<b>H</b>			
		2 =	11.000"	15.750"	24.63"
		4 =	8.875"	12.500"	24.50"
		5 =	8.875"	12.500"	24.50"
		6 =	11.000"	15.750"	24.63"
		7 =	11.000"	17.500"	36.25"
		9 =	4.250"	7.750"	36.50"

\* Filters using the special field will include a three digit code. Example 2710E1V-001

### Recommended Operating Conditions

<b>Flow Direction</b>	Inside → Out
<b>Change Out Differential</b>	15 PSID
<b>Maximum Operating Temperature</b>	400° F
<b>Maximum Intermittent Temperature</b>	450° F



For more information, email [PurityProducts@clark-reliance.com](mailto:PurityProducts@clark-reliance.com)

**ANDERSON®**  
Separator

**Clark·Reliance**  
FILTER ELEMENTS®

**Energvac™**  
INTERNATIONAL ULC

**OIL FILTRATION SYSTEMS®**

**NFS**  
National Filtration Systems®

**HYCOA®**