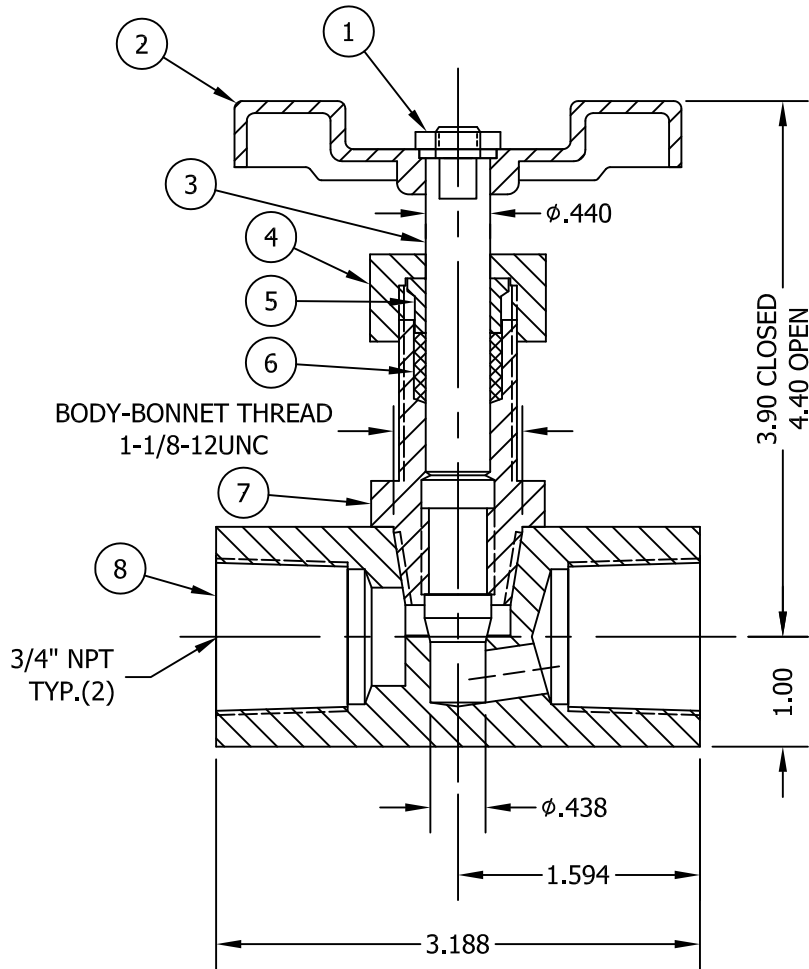


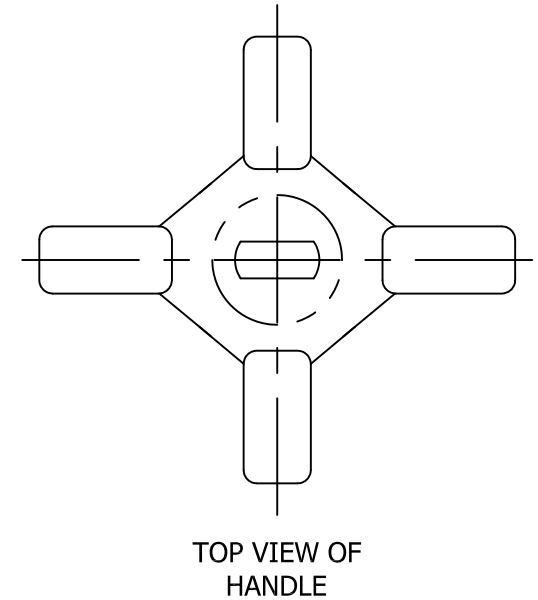
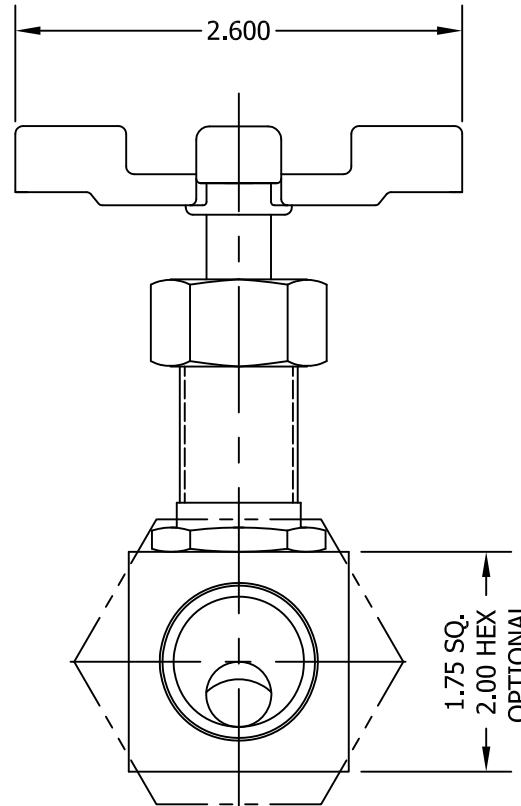
VALVE, 3/4" GLOBE

JERGUSON®

DRAWN: AA	DRAWING NO.: GD-2003	REV.: 5
CHECKED: MK		
DATE: 6/8/2012		
REVISION: 5 PER CDC 12-206/AA		
MATERIAL:		
TOLERANCE CLASS (PER PES-004):		
PART NUMBER: SEE TABLE		



RATING: 10,000 PSIG To 600°F



P/N	NAME OF PART	A21919	A21920
		MATERIAL	
1	STEM NUT	STEEL	STEEL
2	HANDLE	MALLEABLE IRON	MALLEABLE IRON
3	STEM	316 SS	316 SS
4	GLAND NUT	STEEL	316 SS
5	GLAND FOLLOWER	SINTERED NICKEL STL	AUSTENITIC SS
6	PACKING	GRAFOIL	GRAFOIL
7	BONNET	STEEL	316 SS
8	BODY	STEEL	316 SS