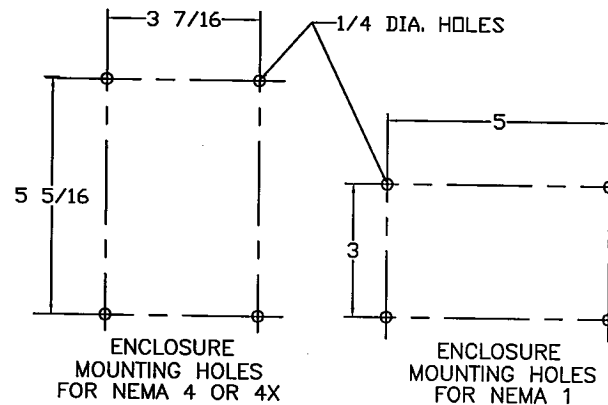


INTERWIRING DIAGRAM

ENCLOSURE NOTE:

- 1) FOR R110L USE NEMA 1 ENCLOSURE PART NO. RE1-1 PER DWG. MS-7042-A
- 2) FOR R140L USE NEMA 4 ENCLOSURE PART NO. RNEMA4 RL7095A PER DWG. RL7095A
- 3) FOR NEMA 4X ENCLOSURE PART NO. RNEMA4X RL7096A PER DWG. RL7096A



NOTE:

1. CONTACT RATING:  
5 A @ 120 VAC  
5 A @ 240 VAC
2. POWER CONSUMPTION 4.4 VA WITH RELAY ENERGIZED
3. USE 18 GA. WIRE FOR FIELD WIRING
4. DISTANCE BETWEEN PROBES AND CONTROL UNIT - 600 FT. MAX.

BILL OF MATERIAL				
ITEM	QTY.	PART NO.	DESCRIPTION	DWG. NO.
A	1	ECID-23R	RELAY	
B	1	ECID-49	RELAY SOCKET	
C	1	SEE NOTE	ENCLOSURE	
D	1	X172976	GROUND SCREW (10-32)	
E	1	SCE 6P6J	PANEL (NEMA4/4X)	
E	1	RA6P6	PANEL PC-44 (NEMA 1)	RL7008A
F	1	EA15-8	NAMEPLATE	A-12B69

REV	DESCRIPTION	DATE	SIG
5	NEW N4 AND N4X ENCLOSURES	11/19/04	ST
4	RELAY WIRED INCORRECTLY	11/10/99	ST
3	ADDED NEMA 4X ENCLOSURE	4-4-97	ST
2	REDRAWN CAD - NO CHANGES	1-17-97	ST
1	RELAY WAS ECID-23	1-18-96	FAS

UNLESS OTHERWISE NOTED:  
TOLERANCES (?)  
DECIMAL & STOCK (C.002)  
FIN. FRACTIONAL (UP TO 1", NOT INCL.) (C.010)  
FIN. FRACTIONAL (1" INCL., UP TO 3") 1/64  
FIN. FRACTIONAL (3" INCL., UP TO 6") 1/32  
FIN. FRACTIONAL (6" INCL., UP TO 12") 1/16  
FIN. FRACTIONAL (12" & OVER) 1/8  
ANGLES 1:7  
MACHINE FINISH-125√DR SMOOTHER  
REMOVE BURRS AND SHARP EDGES

THE CLARK-RELIANCE CORP.  
STRONGSVILLE, OHIO

R110L AND R140L RELAY

MATERIAL	
DRAWN ST	SCALE NONE
CHKD.	DATE 1-17-97
DRAWING NO.	REV.
RL1010-A	5