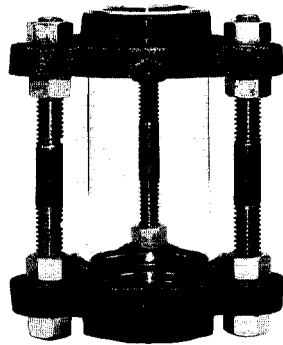
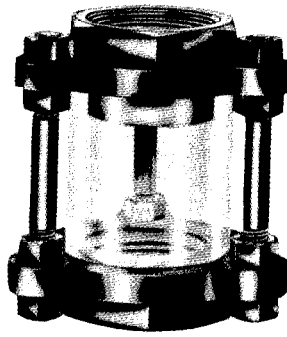


FULL VIEW LOW PRESSURE SIGHT FLOW INDICATORS

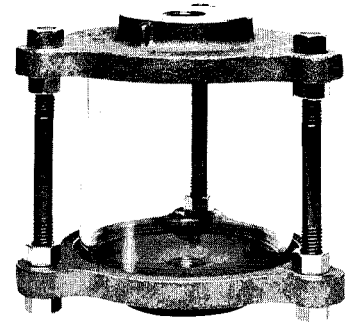
Threaded Ends



Style 805-S
Pipe Sizes 1/8" thru 2"



Style 805-SD
Drip Type
Pipe Sizes 1/8" thru 2"



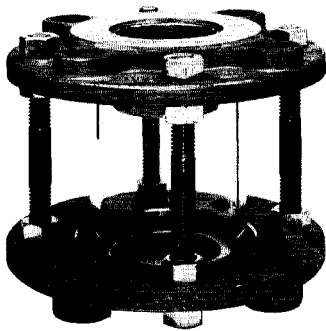
Style 850-S
Pipe Sizes 1/4" thru 2"

The styles illustrated here are all low pressure tube type Sight Flow Indicators and, although best adapted to vertical pipe lines, they may be installed horizontally as well. These units are recommended where maximum visibility is desirable and where mechanical strains in the pipe lines are not present.

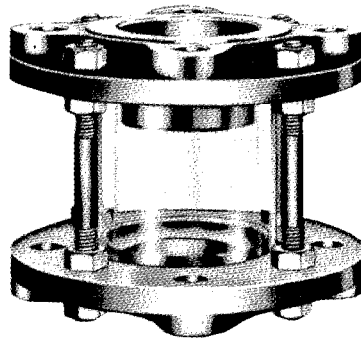
All sizes in Style 850-S are provided with 5" OD cylinders and are suitable where a large observation area is required. Style 830-F and 830-FD are flanged end units faced and drilled to match 150# ASA flanges and are intended for installations similar to those of the screwed end units described.

Available in varying lengths to 48".
With graduated or clear cylinders

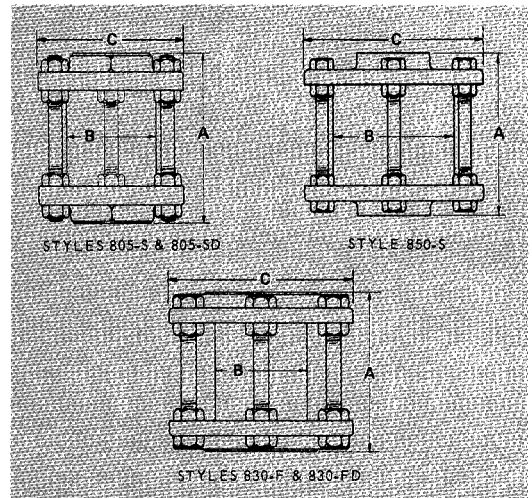
Flanged Ends



Style 830-F
Pipe Sizes 1/2" thru 12"



Style 830-FD
Drip Type
Pipe Sizes 1/2" thru 12"



STYLES 805-S & 805-SD

Pipe Size	Dimensions			Approx. Weight	Pressure Rating PSIG
	A	B	C		
1/8"	4 1/2"	1 3/4"	3 3/4"	2#	150
1/4"	4 1/2"	1 3/4"	3 3/4"	2#	150
3/8"	4 1/2"	1 3/4"	3 3/4"	2#	150
1/2"	4 1/2"	1 3/4"	3 3/4"	2#	150
3/4"	4 1/2"	1 3/4"	3 3/4"	2#	150
1"	4 1/2"	2"	4 1/4"	3#	150
1 1/4"	4 3/4"	2 1/2"	4 3/4"	4#	120
1 1/2"	4 3/4"	2 1/2"	4 3/4"	4#	120
2"	5 1/2"	3"	5 3/4"	7#	100

STYLE 850-S

Pipe Size	Dimensions			Approx. Weight
	A	B	C	
1/4"	6 3/4"	5"	8 1/4"	13#
3/8"	6 3/4"	5"	8 1/4"	13#
1/2"	6 3/4"	5"	8 1/4"	13#
3/4"	6 3/4"	5"	8 1/4"	13#
1"	6 3/4"	5"	8 1/4"	13#
1 1/4"	6 3/4"	5"	8 1/4"	13#
1 1/2"	6 3/4"	5"	8 1/4"	13#
2"	6 3/4"	5"	8 1/4"	13#

Pressure Rating - 70 PSIG
A Dimension ± 1/8"

STYLES 830-F & 830-FD

Pipe Size	Dimensions			Approx. Weight	Pressure Rating PSIG
	A	B	C		
1/2"	3 7/8"	1 1/4"	3 1/2"	3 1/2#	150
3/4"	3 7/8"	1 1/2"	3 7/8"	4#	150
1"	4"	1 3/4"	4 1/4"	5#	150
1 1/2"	4"	2 1/2"	5"	6#	120
2"	4 3/4"	3"	6"	11 1/2#	100
2 1/2"	5 3/8"	3 1/2"	7"	15#	85
3"	5 3/8"	4"	7 1/2"	19#	100
4"	7 1/2"	5"	9"	22#	70
6"	10 3/8"	7"	11"	56#	45
8"	14"	9 1/8"	13 1/2"	68#	25
10"	14 1/8"	11"	16"	87#	20
12"	14 1/4"	13"	19"	131#	20

A Dimension ± 1/8"

A Dimension ± 1/8"