

BOM#:  
 S.O.#:  
 TAG#:  
 SER.#:

**MATERIAL:**

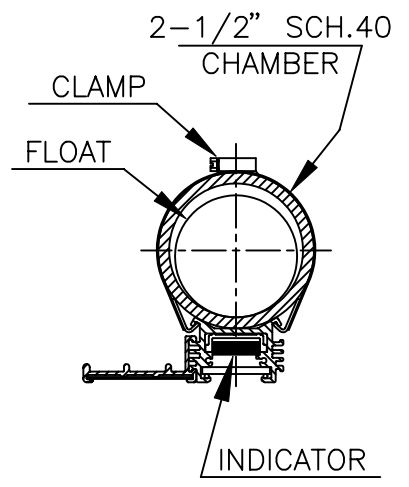
CHAMBER: CPVC  
 FLANGES: CPVC  
 FLOAT: CPVC

**RATING:**

PRESS.:  
 TEMP.:

**SERVICE:**

SP. GR.:  
 FLUID:



**SECTION A-A**

**MODEL MIH-SF  
 MAGNicator II  
 CPVC (150#)**

**JERGUSON  
 GAGE & VALVE CO.  
 STRONGSVILLE, OHIO, U.S.A.**

DWG. NO. **MIH-SFCPVC**

REF.		REV. 2	
CHK'D. BY:	APP'D. BY:	DWN BY: MJK	DATE 6/27/01