

BILL OF MATERIAL No: MIIH-SF

NAME OF PART	MATERIAL	REMARKS
STAND PIPE/NIPPLES	(PER ORDER)	
FLANGES	(PER ORDER)	
PIPECAP/PLUGS	(PER ORDER)	
FLANGE GASKET	GARLOCK 3200	
FLANGE BOLTING	ASTM A193	
NUTS	ASTM A194	
FLOAT	(PER ORDER)	

NOTES:

- SUPPORT BRACKETS ARE IN THE SAME PLANE AS THE PROCESS FLANGES, NOT SHOWN.

OPERATING:

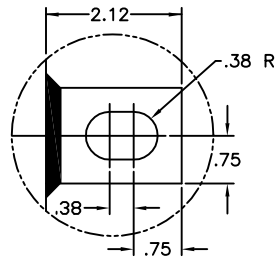
PRESS.:

TEMP.:

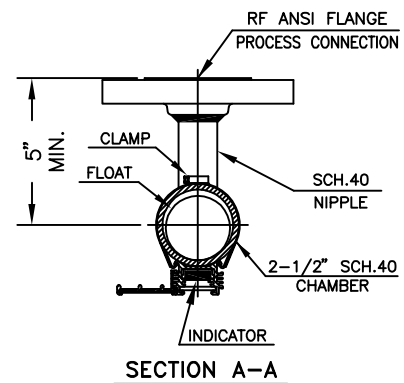
SERVICE:

SP. GR.:

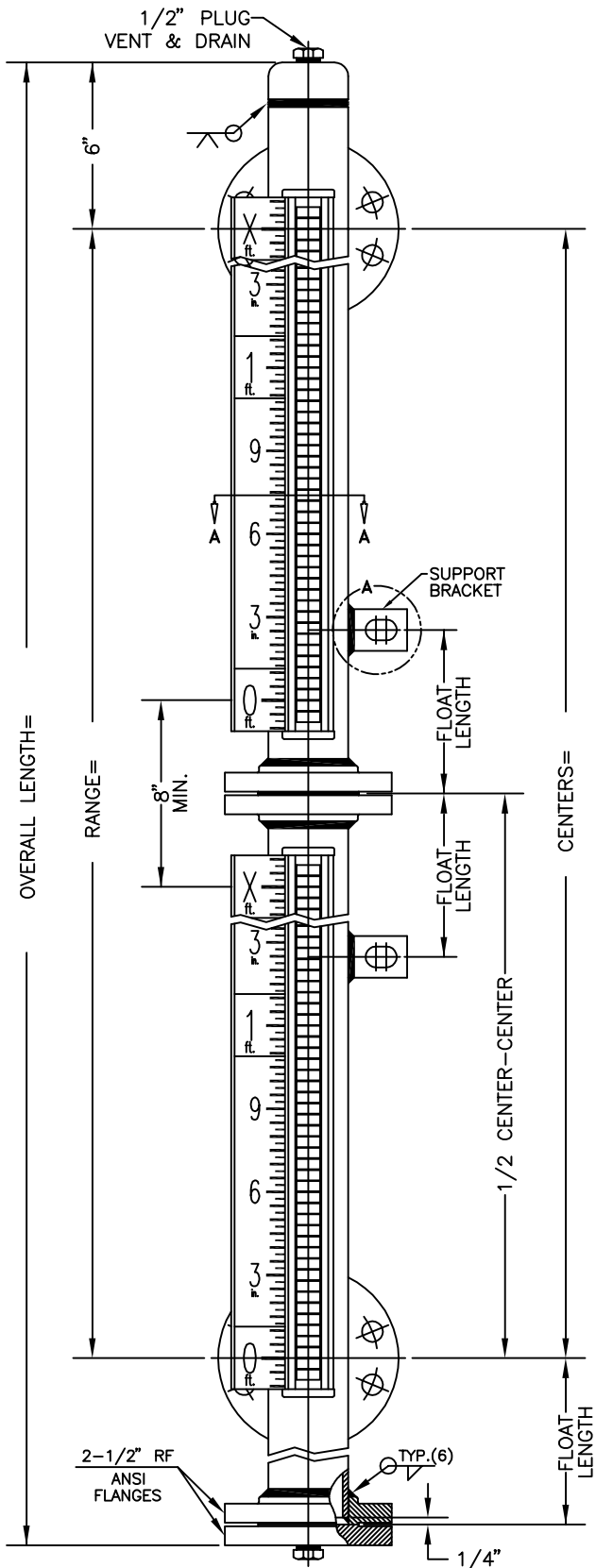
FLUID:



DETAIL A
SEE NOTE 1



P. O. No:
OUR No:
ASSEMBLED ON ____ CENTERS
SERIAL No:
TAG:



MODEL No.: MII-SF

MODEL MIIH-SF
MAGNIFICATOR II
(TO 300# ANSI)

JERGUSON
GAGE & VALVE CO.
STRONGSVILLE, OHIO, U.S.A.

FILE NO:
DRAWING NO.
MIIH-SF1-2SEC

REF: X

DRAWN BY: MBV

REV: 0

CHECKED BY:

APPROVED BY:

DATE: 6/20/08

SCALE: NONE