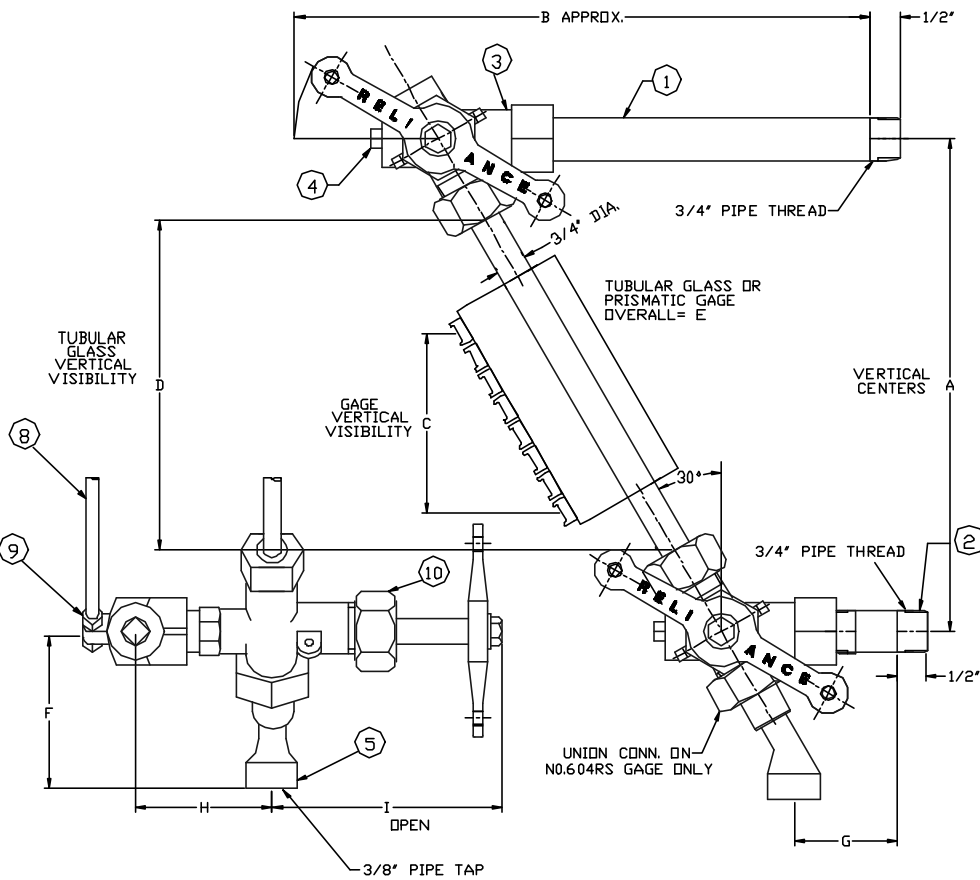


WATER GAGE #	F		G		H		I	
	IN	MM	IN	MM	IN	MM	IN	MM
NO.603RS 250# W.S.P.	2-3/4	70	2-3/4	70	3-1/4	83	6	15
NO.604RS 450# W.S.P.	3-3/4	95	2-1/4	57	3-1/4	83	6	15

BILL OF MATERIAL				
ITEM	PART #	PCS	DESCRIPTION	DWG. NO
1	TG603-1	1	STEAM CONN. TUBE-3/4" SCH. 80 PIPE ASTM A-106	A-6844
2	TG603-2	1	WATER CONN. TUBE-3/4" SCH. 80 PIPE ASTM A-106	A-6844
3	TG603RS-1	2	ADAPTORS- BRONZE, PATT. NO A-7457 ASTM B-61	A-7457
4	TG603-7	2	3/8" PIPE PLUG- STEEL	-
5	TG603-8	1	BLOWOFF ELBOW 3/8 PIPE TAP-BRONZE ASTM B-61	A-3724
6	TG603-9	1	TILTVIEW NAMEPLATE	A-4855
7	TG603-10	2	ROUND HD. SCREW, 6-32 X 1/8"- BRASS	-
8	TG603RS-2	1	TIE ROD	B-7533
9	X1500	4	JAM NUTS- 1/2-13	-
10	BG403RS	1	SET(2) NO.403RS BRONZE W.G. VALVE -603RS TV	B-4882
10	BG404RS	1	SET(2) NO.404RS BRONZE W.G. VALVE -604RS TV	B-4726
		2	5FT. LENGTHS- STEEL CHAIN	-
		2	CHAIN HANDLES- PATT. NO. A-6282	A-6282



A		B		PRISMATIC GAGE #	C		D		E	
IN	MM	IN	MM		IN	MM	IN	MM	IN	MM
12	305	14-1/4	362	-	-	-	8	203	11	279
13	330	14-3/4	375	4	5-7/8	149	9	229	12-1/4	311
14	356	15-3/8	391	5	6-7/8	175	10	254	13-1/4	337
15	381	15-7/8	403	6	7-7/8	200	11	279	14-1/2	368
16	406	16-1/2	419	7	8-3/4	222	12	305	15-3/4	400
17	432	17	432	8	10-1/4	260	13	330	16-3/4	425
18	457	17-5/8	448	9	10-3/4	273	14	356	18	457
19	483	18-1/4	464	9	10-3/4	273	15	381	19-1/4	489
20	508	18-3/4	476	44	12-7/8	327	16	406	20-1/4	514
21	533	19-3/8	492	44	12-7/8	327	17	432	21-1/2	546
22	559	20	508	55	14-3/4	375	18	457	22-1/2	572
23	584	20-1/2	521	55	14-3/4	375	19	483	23-3/4	603
24	610	21-1/8	537	66	16-7/8	429	20	508	25	635
25	635	21-5/8	549	66	16-7/8	429	21	533	26	660
26	660	22-1/4	565	77	18-3/4	476	22	559	27-1/4	692
27	686	22-7/8	581	77	18-3/4	476	23	584	28-1/2	724
28	711	23-3/8	594	77	18-3/4	476	24	610	29-1/2	749
29	737	24	610	88	21-5/8	549	25	635	30-3/4	781
30	762	24-5/8	625	99	22-3/4	578	26	660	31-3/4	806
31	787	25-1/8	638	99	22-3/4	578	27	686	33	838
32	813	25-3/4	654	99	22-3/4	578	28	711	34-1/4	870

* TOLERANCES DEFINED BY PES-004

MATERIAL: X
 DRAWN: SMH CHECKED: X
 SCALE: NONE DATE: 8/18/95
 REV. 6 PER CDC 95-127

CLARK-RELIANCE CORP.
STRONGVILLE, OHIO, U.S.A.

603RS STANDARD
 AND 604RS HEAVY
 TILTVIEW WATER GAGE ASSEMBLY
 TOLERANCE CLASS: X

DRAWING NUMBER:
B-7535
 REV. **6**

PART NO.: SEE CHART