

BILL OF MATERIAL: MIIH-ST-CPVC			
NAME OF PART	MATERIAL	PART NO.	REMARKS
STAND PIPE	CPVC	N/A	
FLANGES	CPVC	N/A	
GASKETS	NEOPRENE	N/A	1/16" THK
STUDS	CR-MO	A193 GR.B7	
NUTS	CARBON ALLOY	A194 GR.2H	
FLOAT	CPVC	N/A	S22196-10-1.20
PLUGS	CPVC	N/A	
FITTINGS	CPVC	N/A	

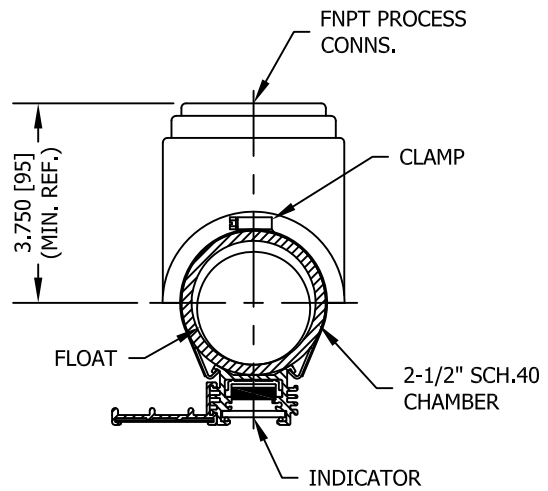
- NOTES:
1. MODEL #: MII-ST-__-01-CP-__-__-__-__-FL
 2. DIMENSIONS IN INCHES w/ mm EQUIVALENT IN BRACKETS.
 3. GASKET THICKNESS IS ACCOUNTED FOR IN OVERALL LENGTH.

CHAMBER DESIGN:


- 125 PSIG @ 100°F
- 70 PSIG @ 150°F
- 25 PSIF @ 200°F

OPERATING CONDITIONS:

__ PSIG @ __°F
 SP. GR.: __
 FLUID: __



SECTION A-A

REV	DATE	CHANGE	BY
<p>MANUFACTURED BY</p>  <p>16633 FOLTZ PARKWAY STRONGSVILLE, OH 44149 USA PH: 440-572-1500 WEB: www.clarkreliance.com</p>			
<p>JERGUSON®</p> <p>MODEL MII-ST-CPVC MAGNICATOR II</p>			
DRAWN: MBV		CHECKED:	
DATE: 1/17/11		REVISION:	
DRAWING NO.: MIIH-ST-CPVC		REV.: 0	