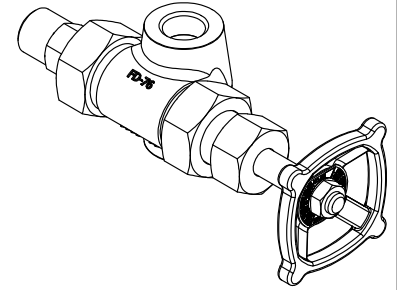


| BILL OF MATERIAL (CS BODY/416SS TRIM) |                       |      |                     |                                | BILL OF MATERIAL (316SS BODY/316SS TRIM) |                       |      |                     |                             | BILL OF MATERIAL (ALL 316SS) |                       |      |                     |                              |
|---------------------------------------|-----------------------|------|---------------------|--------------------------------|--|-----------------------|------|---------------------|-----------------------------|------------------------------|-----------------------|------|---------------------|------------------------------|
| NO.                                   | NAME OF PART          | QTY. | MATERIAL            | PART NO. SPECIFICATION         | NO.                                      | NAME OF PART          | QTY. | MATERIAL            | PART NO. SPECIFICATION      | NO.                          | NAME OF PART          | QTY. | MATERIAL            | PART NO. SPECIFICATION       |
| 1                                     | BODY, BOTTOM VALVE    | 1    | CARBON STEEL        | PER ORDER A105                 | 1  | BODY, BOTTOM VALVE    | 1    | 316/316LSS          | PER ORDER A182 GR.F316/316L | 1                            | BODY, BOTTOM VALVE    | 1    | 316/316LSS          | PER ORDER A182 GR.F316/316L  |
| 2                                     | SEAT                  | 1    | 416SS               | P125 U3 QQ-S-763               | 2  | SEAT                  | 1    | 316/316LSS          | P125 T2 A479                | 2                            | SEAT                  | 1    | 316/316LSS          | P125 T2 A479                 |
| 3                                     | STEM                  | 1    | 416SS               | S121 U3 QQ-S-763               | 3  | STEM                  | 1    | 316/316LSS          | S121 T2 A479                | 3                            | STEM                  | 1    | 316/316LSS          | S121 T2 A479                 |
| 4                                     | TAILPIECE, TANK CONN. | 1    | LOW TEMP CS         | PER ORDER A350 GR.LF2          | 4  | TAILPIECE, TANK CONN. | 1    | 316/316LSS*         | PER ORDER A350 GR.LF2       | 4                            | TAILPIECE, TANK CONN. | 1    | 316/316LSS*         | PER ORDER A276 GR.F316/F316L |
| 5                                     | NUT, TAILPIECE        | 1    | LOW TEMP CS         | PER ORDER P182 A32 A350 GR.LF2 | 5  | NUT, TAILPIECE        | 1    | LOW TEMP CS         | PER ORDER P182 T2 A479      | 5                            | NUT, TAILPIECE        | 1    | 316/316LSS          | PER ORDER P182 T2 A479       |
| 6                                     | SLEEVE                | 1    | LOW TEMP CS         | P70 6 A32 A350 GR.LF2          | 6  | SLEEVE                | 1    | LOW TEMP CS         | P70 6 A32 A350 GR.LF2       | 6                            | SLEEVE                | 1    | 316/316LSS          | P70 6 T2 A276 GR.F316/F316L  |
| 7                                     | NUT, SLEEVE           | 1    | LOW TEMP CS         | P254 1 A32 A350 GR.LF2         | 7  | NUT, SLEEVE           | 1    | LOW TEMP CS         | P254 1 T2 A479              | 7                            | NUT, SLEEVE           | 1    | 316/316LSS          | P254 1 T2 A479               |
| 8                                     | PACKING RING          | 4    | CARBON YARN/INCONEL | G259                           | 8  | PACKING RING          | 4    | CARBON YARN/INCONEL | G259                        | 8                            | PACKING RING          | 4    | CARBON YARN/INCONEL | G259                         |
| 9                                     | GLAND                 | 1    | LOW TEMP CS         | P39 A32 A350 GR.LF2            | 9  | GLAND                 | 1    | LOW TEMP CS         | P39 A32 A350 GR.LF2         | 9                            | GLAND                 | 1    | 316/316LSS          | P39 T2 A479                  |
| 10                                    | NUT, GLAND            | 1    | LOW TEMP CS         | P70 3 A32 A350 GR.LF2          | 10                                       | NUT, GLAND            | 1    | LOW TEMP CS         | P70 3 A32 A350 GR.LF2       | 10                           | NUT, GLAND            | 1    | 316/316LSS          | P70 3 T2 A276 GR.F316/F316L  |
| 11                                    | BALL CHECK            | 1    | 440SS               | P1 I                           | 11                                       | BALL CHECK            | 1    | 316SS               | P1 T2 QQ-S-763              | 11                           | BALL CHECK            | 1    | 316SS               | P1 T2 QQ-S-763               |
| 12                                    | STOP, BALL CHECK      | 1    | 316SS               | V13113 T                       | 12                                       | STOP, BALL CHECK      | 1    | 316SS               | V13113 T                    | 12                           | STOP, BALL CHECK      | 1    | 316SS               | V13113 T                     |
| 13                                    | HANDWHEEL             | 1    | CARBON STEEL        | PD325 D1                       | 13                                       | HANDWHEEL             | 1    | CARBON STEEL        | PD325 D1                    | 13                           | HANDWHEEL             | 1    | CARBON STEEL        | PD325 D1                     |
| 14                                    | NUT, STEM             | 1    | CARBON STEEL        | P78 6 A12 A563                 | 14                                       | NUT, STEM             | 1    | CARBON STEEL        | P78 6 A12 A563              | 14                           | NUT, STEM             | 1    | 316SS               | P78 6 T                      |
| 15                                    | RATING TAG            | 1    | 304SS               | V22038 2                       | 15                                       | RATING TAG            | 1    | 304SS               | V22038 2                    | 15                           | RATING TAG            | 1    | 304SS               | V22038 2                     |
| 16                                    |                       |      |                     |                                | 16                                       |                       |      |                     |                             | 16                           |                       |      |                     |                              |

\*17-4PHSS FOR SPHERICAL TAILPIECES

\*17-4PHSS FOR SPHERICAL TAILPIECES

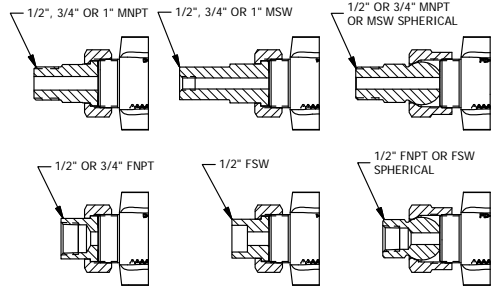


NOTES:

- DIMENSIONS IN INCHES W/ mm EQUIVALENTS IN BRACKETS
- TOP AND BOTTOM VALVES SAME EXCEPT OPPOSITE HANDING (I.E., MIRROR IMAGES) (BOTTOM LEFT HAND VALVE SHOWN)
- VALVE RATING - CARBON STEEL & 316SS:  
4000 PSI @ 100°F, 1308 PSI @ 800°F  
(281 KG/CMF @ 38°C, 92 KG/CMF @ 427°C)
- SEE TABLES FOR AVAILABLE STANDARD CONNECTIONS
- REFER TO THE FOLLOWING (FOR):
  - CATALOG BULLETIN J100.51 (ADDITIONAL INFORMATION)
  - IOM BULLETIN J500.07 (INSTRUCTIONS)
- VALVE "TRIM" = SEAT, STEM & BALL CHECK
- CONSULT FACTORY FOR ALTERNATE MATERIAL OPTIONS

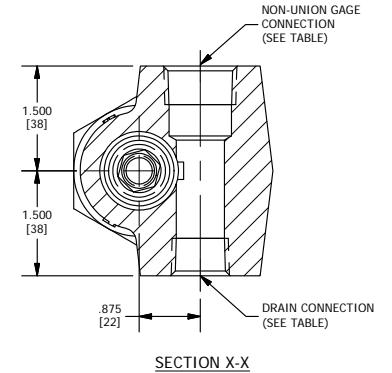
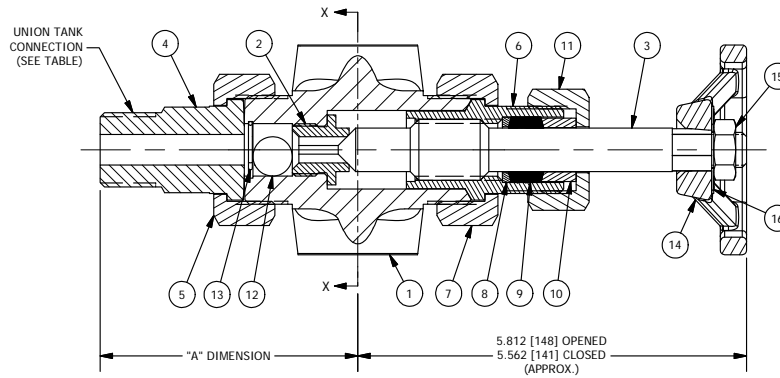
| UNION TANK CONNECTION ("A" DIMENSION) |                    |                         |                         |            |             |            |                         |
|---------------------------------------|--------------------|-------------------------|-------------------------|------------|-------------|------------|-------------------------|
| 1/2" MNPT (OR MSW)                    | 1/2" FNPT (OR FSW) | 1/2" MNPT SPH. (OR MSW) | 1/2" FNPT SPH. (OR FSW) | 3/4" MNPT  | 3/4" MSW    | 3/4" FNPT  | 3/4" MNPT SPH. (OR MSW) |
| 3.688 [94]                            | 2.813 [71]         | 4.313 [110]             | 3.438 [87]              | 3.688 [94] | 4.500 [114] | 2.813 [71] | 4.313 [110]             |
|                                       |                    |                         |                         |            |             |            | 4.125 [105]             |

| GAGE, VENT / DRAIN CONNECTION   |  |
|---------------------------------|--|
| 1/2" OR 3/4" FNPT (OR FSW) ONLY |  |



TANK CONNECTION  
(3/4" FSW UNION CONNECTION NOT AVAILABLE AS STANDARD)

| REV | DATE       | REVISION                                    | BY  |
|-----|------------|---|-----|
| 2   | 10/25/2019 | CHANGED PACKING MATERIAL FROM GRAPHITE/NICR | JJK |
| 1   | 2/23/2018  | UPDATE BOM                                  | JLI |



|   |   |                       |                |
|---|---|-----------------------|----------------|
| <p>MANUFACTURED BY<br/><b>Clark-Reliance®</b><br/>16633 FOLTZ PARKWAY<br/>STRONGSVILLE, OH 44149 USA<br/>(440) 572-1500   www.clarkreliance.com<br/>© Clark-Reliance® Corporation. All Rights Reserved.</p> | <p><b>JERGUSON®</b></p> <p>#66 OFFSET VALVE (PLAIN-CLOSING)<br/>UNION TANK CONNECTION<br/>NON-UNION GAGE CONNECTION</p> | <p>DRAWN: DDenk</p>   | <p>REV.: 2</p> |
|   |   | <p>CHECKED: MK</p>    |                |
|   |   | <p>DATE: 7/8/2013</p> |                |
|   |   | <p>REVISION: 2</p>    |                |