

CERTIFIED DRAWING

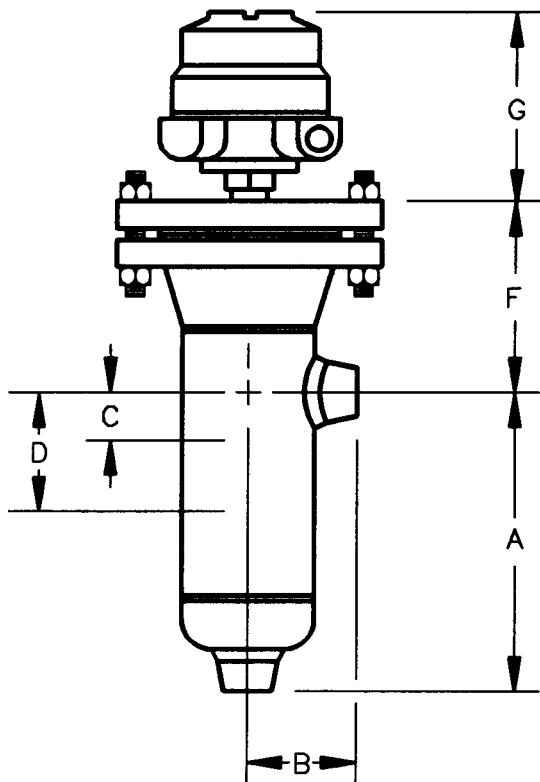
Note: Do not use for construction unless certified.

REV. _____

DATE _____

SPECIFICATIONS

CAGE	CAGE MAT'L.	
	PSIG (●100F)	
	MIN. S.G.	
	MAX. TEMP.	
	TYPE FLT./DISPL.	
CONNECTIONS	CONNECTIONS	
	MOUNTING	
	VENT	
	DRAIN	
ENCLOSURE/SWITCH	ENCLOSURE	
	CONDUIT CONN.	
	SWITCH TYPE	
	CONTACT NO.	
	CONTACT RATING	
	PNEUMATIC	
TRIM	FLT./DISP. MAT'L.	
	TRIM MAT'L.	
	SPRING MAT'L.	



Dimensional and operating level data

TAG NUMBERS

MODEL	SINGLE	NPT	RISING	FALLING	F	G
	SWITCH	or S/W	LEVEL	LEVEL		
	A	B	C	D		
XC1D	8 1/2"	3 1/4"	2"	4"	5 3/4"	8 1/4"
XC2D	14"	3 1/4"	2 7/8"	7 1/4"	9 1/4"	8 1/4"
XC3D	14"	3 1/4"	2 7/8"	7 1/4"	9 3/4"	8 1/4"
XC4D	14"	3 1/4"	2 7/8"	7 1/4"	10 1/2"	8 1/4"
XC5D	14"	3 1/4"	2 7/8"	7 1/4"	11 1/2"	8 1/4"
XC6D	14"	4"	2 1/4"	6 1/4"	11 1/2"	8 1/4"
XC7D	14"	4"	2 1/4"	6 1/4"	14 1/2"	8 1/4"

PRODUCT _____ MODEL _____

CUSTOMER _____ SALES ORDER NO. _____

REF. NO. _____ ITEM NO. _____

CERTIFIED BY _____ DATE _____

MAGNE-SONICS®

A Division of The Clark • Reliance® Corporation
 13200 North Promenade
 Stafford, TX 77477 U.S.A.
 Telephone: (713) 785-4400 • Fax: (713) 785-1826

Local Rep: _____