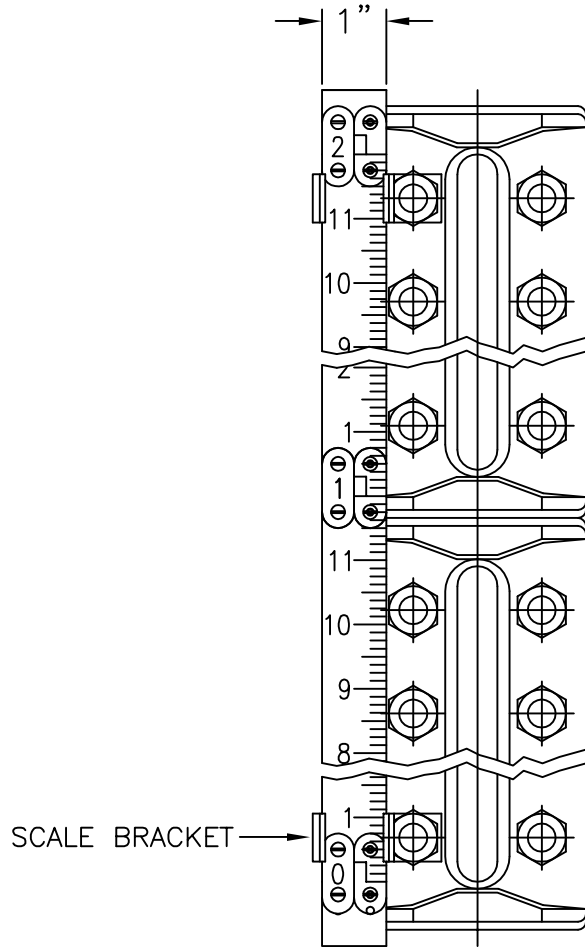


DIMENSIONAL DRAWING SUBMITTED FOR APPROVAL TO: JACOBS ENGINEERING
 P. O. No: 58-BB29-61-064-0092
 OUR No: CO 234777
 REF. TAG: 29LGT-0748, 29LGT-0761

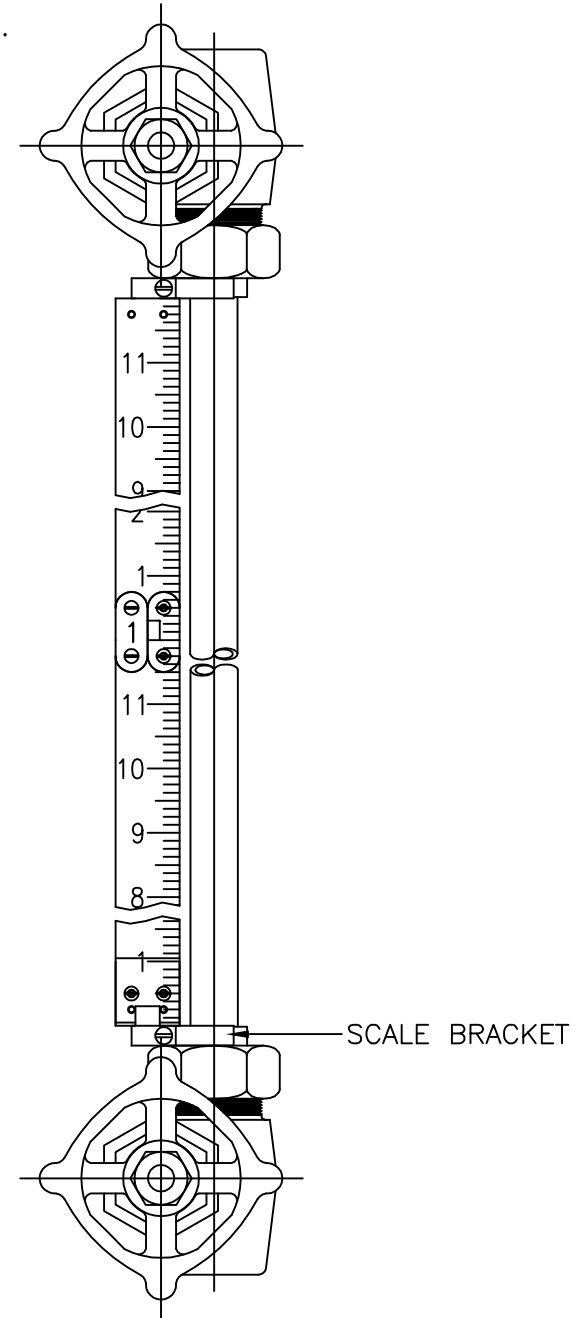
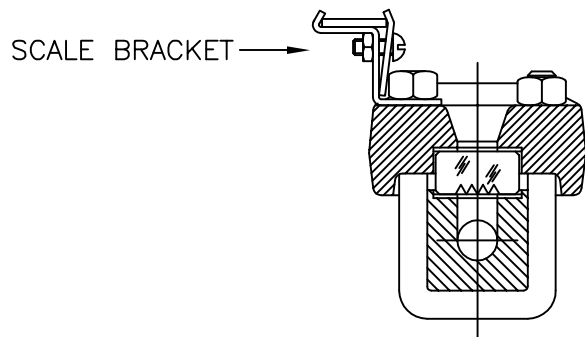
NOTES:

1. STANDARD BRASS SCALE COMPOSED OF IDENTICAL 1 FT. SECTIONS WITH NUMERALS & GRADUATIONS ENGRAVED AND FILLED WITH BLACK ENAMEL, FOOT MARKERS ENGRAVED AND FILLED WITH RED ENAMEL.
2. GRADUATED IN FEET, INCHES AND EIGHTHS OF AN INCH.
3. ENTIRE SCALE COATED WITH CLEAR POLYURETHANE.



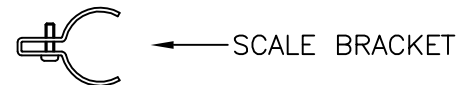
ON FLAT GLASS GAGE

SCALE P/N A22494-
 BRACKET P/N S20089-



ON TUBULAR GLASS GAGE

SCALE P/N A22495-
 BRACKET P/N S1859-



2	REDRAWN & UPDATED	5/12/99	MJK
1	REDRAWN & UPDATED	7/24/92	
SYM	REVISION	DATE	APP

STANDARD BRASS
 SCALE

JERGUSON GAGE & VALVE CO. STRONGSVILLE, OHIO, U.S.A.	
SCALE NONE	DATE 5/12/99

DRAWN MJK	FILE NO.
CHECKED	DRAWING NO. GD-2022
APPROVED	REV. 2